

The background of the cover is a close-up photograph of a conveyor belt. The belt is blue with a yellow side and is covered in a thick layer of dark, granular material, likely coal or ore. A white circular line is drawn over the image, partially enclosing the text and the conveyor belt. On the left side, there are several overlapping circles in shades of orange and yellow, which serve as a design element for the text.

**Metso**  
Conveyor  
Solutions

**Handbook**  
Edition 2





Conveyor Solutions

Accessories  
Belts  
Components





# Contents

## Conveyor Solutions

● What's new	5
● How to use this handbook	7
● The vital role of conveyor systems	8
● Conveyor Solutions you can count on	10
● Common Conveyor challenges	12
● Health, safety and environment	130

## Accessories

● The right material for the job	18
● Cleaners - Primary and secondary	20
Light, medium or heavy?	21
● Selection Guide - Primary cleaners	22
● Selection Guide - Secondary cleaners	46
● Product information	
Belt Cleaning Systems	17
Belt Guiding Systems	75
Loading Systems	81
Sealing Systems	99
Pulley Lagging Systems	109
HiSafe Systems	133
Adhesives Systems	141

## Belts

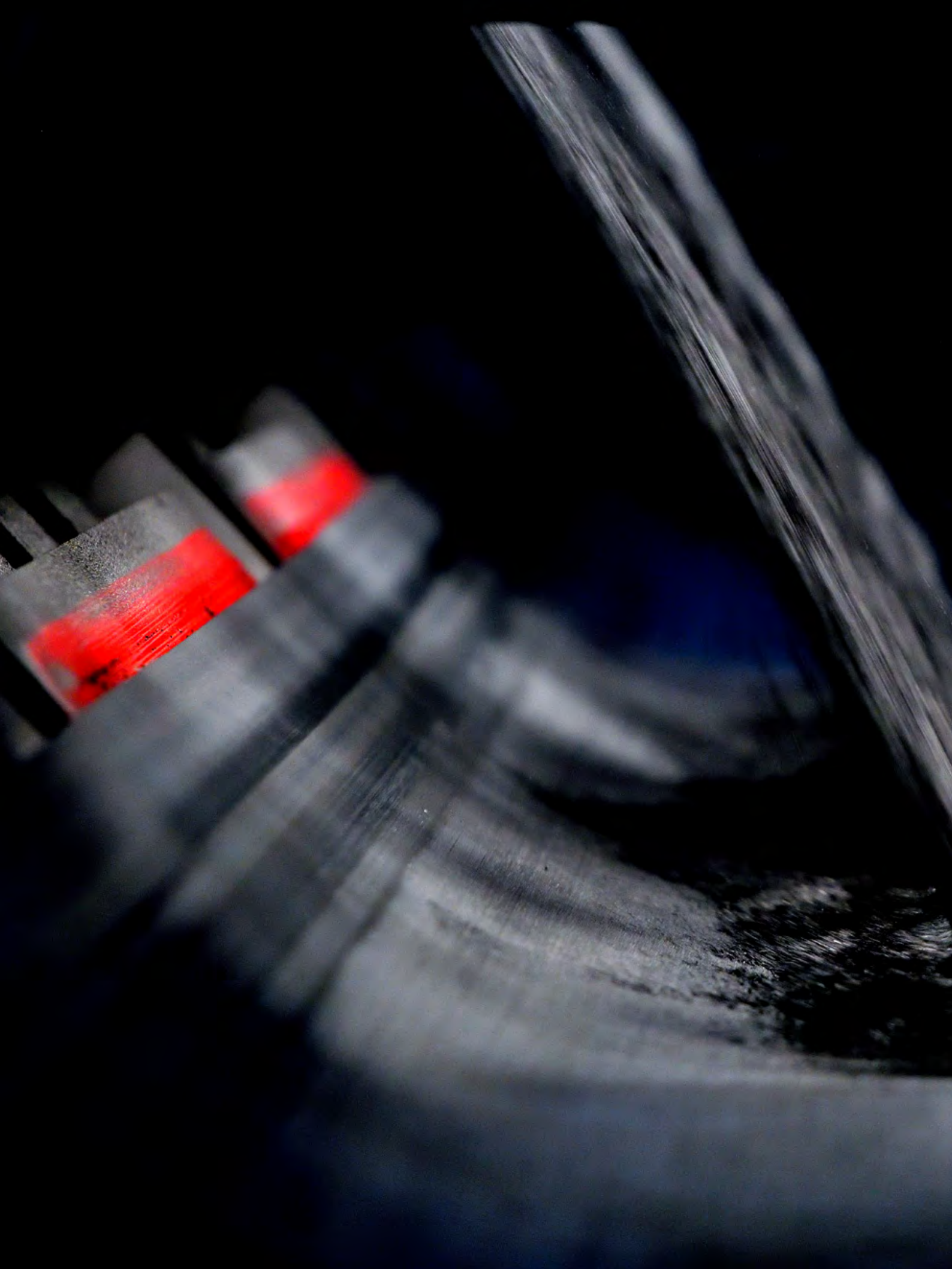
● General information	147
Textile Belts	150
Flexopipe Belts	152
Flexocord Belts	154
Sidewall Belts	156
Escort Belts	158
Aramid Belts	160

## Components

● General information	162
MCC Global Rollers	165
CEMA Idlers & Rollers	193

## Questionnaires

● Accessories	237
● Belts	242
● Components	245







# What's New?

Our Conveyor Solutions team always aims to improve our existing products, find new solutions and fill gaps in our product range. Doing this allows us to offer our customers the best possible solution for their application. This helps to optimize production, increase your profits and save on costs by either selecting an improved product or finding a better solution to one of your critical challenges.

In this new version of our handbook, we've made many updates, ranging from adding new variants to existing products to the addition of entire new product segments.

If you have any questions or are missing information, please contact your nearest Metso sales representative.

ABC70	28
ABC90	30
ABC95	32
ABC-HMS	34
ABC70-HD	36
ABC90-HD	38
ABC70-HD-L	40
ABC-T-HMS RU	50
ABC-T-HMS PU	52
"Drill & cut template"	56
ABC-V-Plow	60
ABC-LT Cleaner kit	65
ABC- Tool SIT	66
Impact bars	84
Metso Traclag	114
Metso Cerlag	124
Metso PULag	128
Holdback	138
Trellex SideWall belts	156
Trellex Escort belts	158
Trellex Aramid belts	160
MCC Global Rollers	165
CEMA Idlers & Rollers	193



# It's in **your** hands

---

Welcome to the Metso Conveyor Solutions handbook. Right now, you're holding a whole new world of conveyor systems in your hands. The information contained in this handbook has the potential to transform your operations – to increase the safety, productivity and ultimately the profitability of your business. Ready to go?





# How to use this handbook

Whether you're looking for a complete conveyor solution, or just a replacement belt cleaner, we're confident you'll find it here. To save you time, we've structured the product information as clearly and simply as possible. There are three chapters: accessories, belts and components.

Supporting information is placed next to the relevant product section. For example, the accessories chapter contains a list of 'Common conveyor challenges' and how to deal with them. Here, we share our knowhow and experience to help you avoid some of the common pitfalls of conveying. Look out for these insert pages, as they may enrich your understanding of the area.

## **Choose a product**

Within each section you'll also find a selection guide – the key to understanding if an accessory, belt or component is just right for your application. Metso representatives are always on hand to answer queries about the products listed here, or to discuss designing a new or upgrading an existing conveyor system.

## **Availability**

To help you avoid situations where costly equipment is standing idle, we ship direct to you from one of our 32 distribution centres around the world. This ensures high availability of parts and accessories – to ensure your production line keeps rolling as it should. Active in more than 50 countries, Metso always has a representative close by to take care of your needs. Just get in touch!









# The **vital role** of conveyor systems

Conveyor Systems are a crucial factor in mining, aggregate and industrial operations, underpinning efficiency and – ultimately – profitability. Just like the circulatory systems in our bodies and the currents in the ocean, they move resources from one point to another.

## **Downtime costs money**

With the rapid throughput of systems both upstream and downstream that depend on conveyors, it's important to choose the right solution. Conveyor transport plays such a central role in production. If it fails the whole system fails – making your business vulnerable to the heavy cost and inconvenience of downtime. Reliability is therefore the top criterion for industrial conveyor solutions.

## **Choose a Metso solution**

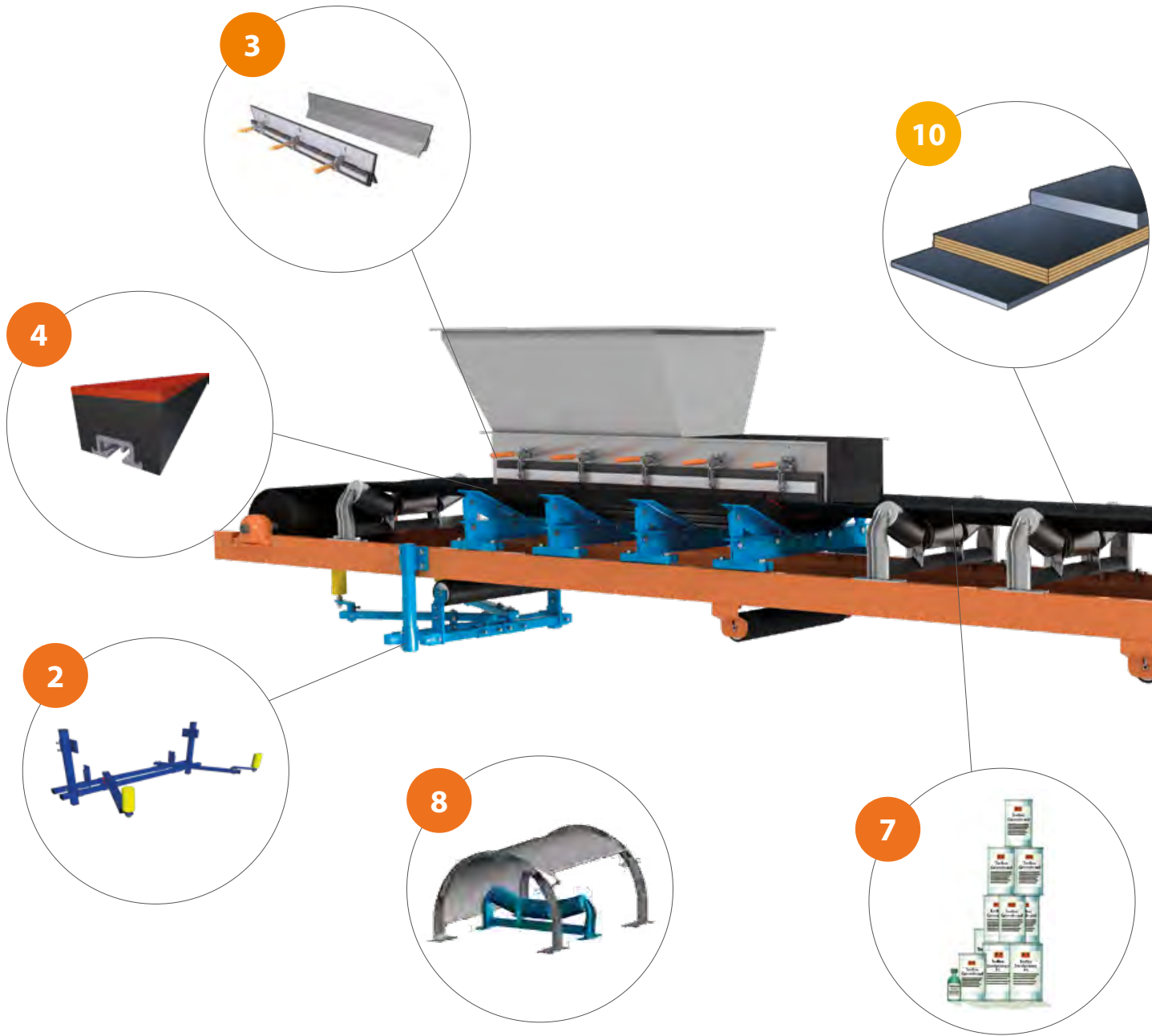
Our conveyor solutions consist of accessories, the belts themselves, and other components. Metso is a world leader in design and manufacturing in all three categories. We help you get full value from your accessories, belts and components by analysing and eliminating potential failure modes and innovating to extend wear life.

When you choose a Metso solution, you're choosing maximum efficiency and minimum risk – a wise move for any industrial, construction or natural resource company.





# Conveyor Solutions you can **count on**





1 Belt Cleaning Systems

2 Belt Guiding Systems

3 Sealing Systems

4 Loading Systems

5 Pulley Lagging Systems

6 HiSafe Systems

7 Other Accessories

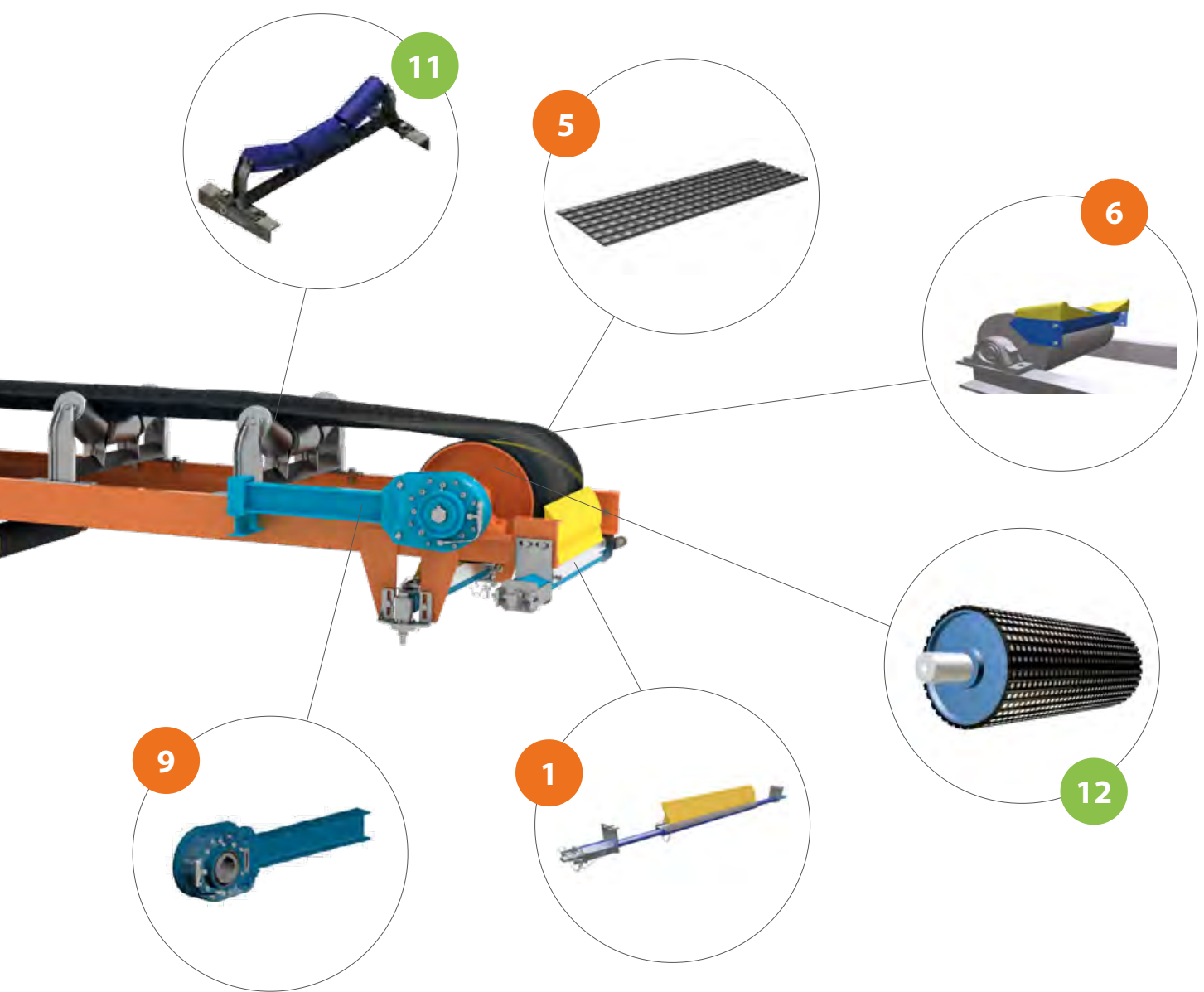
8 Hoods

9 Holdbacks

10 Conveyor Belts

11 Idlers

12 Pulleys



We have  
the solution



# Common conveyor **challenges**

Conveyors typically operate in really demanding conditions: a dirty environment, intense heat, moisture and very low temperatures. If poorly maintained, a conveyor may experience rapid belt wear and component failure, of components, with consequent stoppages and downtime and with a corresponding negative impact on productivity and profits. Here, we take a close look at some of the most common challenges conveyors face, and propose ways to handle them.

... and how to deal with them



Conveyor carryback occurs when small quantities of material stick to surfaces or get caught in voids and are transported back to their source. Some materials, such as sticky clay and certain mineral ores, are more prone to carryback than others. And while the amount of carryback may seem negligible, over time it adds up to tonnes of material that have to be taken care of a second time, which adds costs.

In response, Metso offers a range of **Belt cleaning systems**, with cleaners that remove potential carryback from the material-facing surface of the belt as it comes round the head pulley.



Mistracking refers to problems such as belt misalignment – i.e. when the belt starts to ride off or cut into the conveyor frame. It can destroy the belt and the conveyor structure or components, and also lead to spillage.

There are many causes of mistracking, including exceeded belt tolerances, off-centre loading, material build-up on rollers and pulleys, misadjustment, the structure of the conveyor system itself, and even side-winds, rain, snow or ice.

To address this problem, Metso offers **Belt guiding systems** that sense and correct mistracking before it does any damage. With such a system in place, maintenance costs can be minimised.





Spillage of material usually occurs during the loading and unloading of a conveyor, but can also occur during transport.

One risk during loading is that the impact of falling materials exceeds what the conveyor can absorb, causing damage to the conveyor belt and components. Another risk is spillage that occurs when the loading zone is not tightly sealed. Waste product and dust can fall on the ground, get into the conveyor components and cause damage. During transport, spillage is often caused by mistracking or leakage. Metso's **Belt guiding, Sealing and Loading systems** address these issues with proven, industry-leading solutions.




Slippage occurs when a belt does not move at the same rate as the pulleys that drive it. This can be extremely serious, as it is accompanied by skidding of the belt against the pulleys, which generates friction and heat, and which can, in the worst case scenario, start a fire. Major causes of slippage can be inadequate friction between the belt and pulley, differences in humidity and temperature, belt and pulley wear, and insufficient belt tension. Metso's **Pulley lagging systems** include composite materials (consisting of both rubber and ceramics) and normal rubber for pulleys. These solve the problem of inadequate friction.



Dust is related to spillage. Where there are leaks there will be dust. This is a serious issue for operators, who might inhale the dust if they are not wearing masks. It is also bad for equipment and vehicles at the site, since dust can enter the mechanical moving parts and cause wear and clogging. All the Metso systems and accessories that address spillage, misalignment and sealing, for example Metso's **Sealing Systems**, have the added benefit of controlling dust.







There is so much more to a good conveyor than the belt and frame.





# Conveyor Accessories

Your conveyor is so vital to operations that it is sometimes described as ‘the main artery’. When it isn’t running properly, your mine, quarry or construction site can’t run properly either. It makes sense to employ every possible measure to protect your conveyor and avoid unscheduled conveyor stoppages – whether they are caused by a dusty environment, material spillage or impact damage. On the following pages, you can read about the accessories Metso provides to keep your equipment running efficiently and your business running smoothly.

## Systems:

Belt Cleaning Systems	17
Belt Guiding Systems	75
Loading Systems	81
Sealing Systems	99
Pulley Lagging Systems	109
HiSafe Systems	133
Adhesives Systems	141



# Accessories



<b>Belt Cleaning Systems</b>	<b>17</b>
Belt Guiding Systems	75
Loading Systems	81
Sealing Systems	99
Pulley Lagging Systems	109
HiSafe Systems	133
Adhesives Systems	141





# Belt Cleaning Systems

Carryback causes a whole series of problems. It represents a safety and environmental hazard, adds to your clean-up expenses, and generally prevents your conveyor belt from performing at its best. Metso offers a broad range of belt cleaners designed to prevent carryback and thereby alleviate these problems. Each of our cleaners is designed with the quality you've come to expect from Metso.

The right material for the job	18
Cleaners - Primary and secondary	20
<b>PRIMARY CLEANERS:</b>	
Selection Guide	22
Trellex ABC-ONE70	24
Trellex ABC-ONE90	26
Trellex ABC70	28
Trellex ABC90	30
Trellex ABC95	32
Trellex ABC-HMS	34
Trellex ABC70-HD	36
Trellex ABC90-HD	38
Trellex ABC70-HD-L	40
Trellex ABC90-HD-L	42
Trellex ABC90-HD-XL	44
<b>SECONDARY CLEANERS:</b>	
Selection Guide	46
Trellex ABC-T-HS RU	48
Trellex ABC-T-HMS RU	50
Trellex ABC-T-HMS PU	52
Trellex ABC-T-HMS-HD-L	54
Trellex ABC Belt Brush	58
<b>PLOW CLEANERS:</b>	
Trellex ABC-V-Plow	60
Trellex ABC Easy	63
<b>LOKOTRACK CLEANERS:</b>	
Trellex ABC-MC-LT	64
Pre Cleaner Kit	65
<b>INSTALLATION TOOL:</b>	
Trellex ABC-Tool SIT with case	66
Primary Tensioners	68
Secondary Tensioners	72





# The **right material** for the job

When you're choosing a conveyor solution for products like mineral ores, crushed stone, gravel, wood chips and coal, it must be fit for purpose. That means strong enough to carry heavy loads at high speeds across significant distances. It must also be capable of handling heat, cold, moisture, dust and grit, along with shocks and shear forces.

To be sure our conveyor solutions perform reliably in your working environment, Metso continuously advances the science and engineering behind them. We pay special attention to ensuring the right materials are available and used for each job.

## **New material innovations**

Indeed, Metso is known for its innovative materials – combinations of metal, rubber, plastic, ceramic and other substances. Over half a century ago, we pioneered the development of polymers for use in the mining and construction industry.

Today, thanks to modern 3D CAD software and our deep application expertise, we can develop high-performance combination materials that leverage incredible benefits – benefits that no single material could offer alone.

For example, heavy-duty conveyor belts made with aramid reinforcements; pulley lagging with ceramic inserts for excellent grip and durability; and impact bars that combine high-grade polyethylene with impact-absorbing rubber to reduce friction and lengthen service life.

## **Special materials for belt cleaners**

When it comes to belt cleaners, the material used determines how well the product functions in a given application. Besides our standard belt cleaners, we offer a special range of cleaners that have been engineered for specific purposes. These often marry, for example, a hard metal or polyurethane core with a soft outer material that means your belts can be scraped clean without causing damage.

Find out more about choosing the right belt cleaner for the job on the following pages.

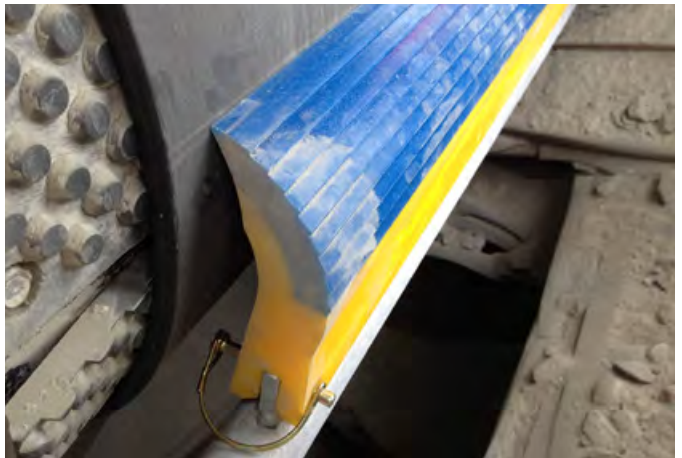


# The **right cleaner** lasts 5 times longer

To check this hypothesis, we tested two different belt cleaners on a conveyor in a granite quarry. One was the ABC90, which is considered as a standard material in the industry. The other was our patented dual-hardness cleaner, the ABC70.

We ran consecutive tests using first one belt cleaner and then the other on the same conveyor. After 1000 hours, the wear on the ABC90 cleaner was 348 grams, while the wear on the ABC70 was a mere 63 grams.

Demonstrating a five times better performance than the standard material, Metso's premium dual-hardness cleaner makes an important contribution to our customers' operating costs.



Blade type: ABC90  
 Blade material: 90 Shore A PU  
 Metric tonnes: 138,000  
 Hours: 600  
 Type of material: Granite  
 Material size: 0 - 250  
 BW: 1000  
 Weight of new blade: 949 g

Blade	Weight (g)	Wear (g)
1	742	207
2	742	207
3	738	211
4	737	212
5	740	209
6	743	206
<b>Avg.</b>	<b>740</b>	<b>209</b>

**209 g during 600 h = 0,348 g/h**  
**After 1000 h ~ 348 g**

Blade type: ABC70  
 Blade material: 70 Shore A PU/ 65 Shore D PU  
 Metric tonnes: 165,000  
 Hours: 800  
 Type of material: Granite  
 Material size: 0 - 250  
 BW: 1000  
 Weight of new blade: 1000 g

Blade	Weight (g)	Wear (g)
1	952	48
2	952	48
3	954	46
4	944	56
5	950	50
6	949	51
<b>Avg.</b>	<b>950</b>	<b>50</b>

**50 g during 800 h = 0,0625 g/h**  
**After 1000 h ~ 63 g**



# Cleaners - Primary and secondary

The purpose of primary cleaners is to remove any coarser material that's stuck to the conveyor belt after it leaves the head pulley, and to keep the belt as clean as possible. By contrast, secondary cleaners are used to remove the fines.

Your choice of cleaner will be determined primarily by the application and all its parameters.



In the majority of cases, the primary belt cleaner is positioned on the head pulley, which is where the material leaves the belt.

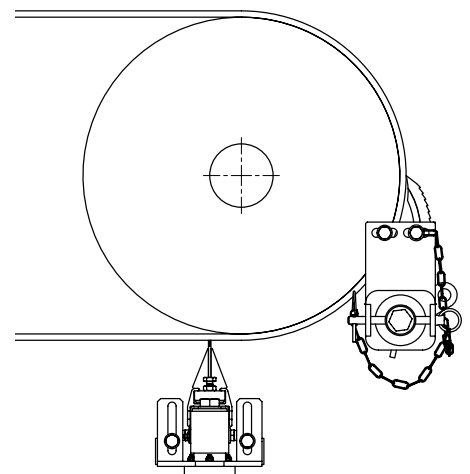
Metso supplies different sizes of conveyor systems depending on the volume of material to be conveyed. Belt speed, belt size and pulley diameter all vary. We do not classify our solutions according to industry segments, but rather according to the application within the segment. That's because we've noticed 70% - 80% of conveyors used in mining are at the smaller end of the scale, even though this is where you also find some of the biggest conveyors. In other words, the application counts more than the industry.

Whether you need the very smallest solution (with cleaners of 1 kilo) or the very biggest (with cleaners of 20 kilos) or something in between the two, Metso has a product for you.

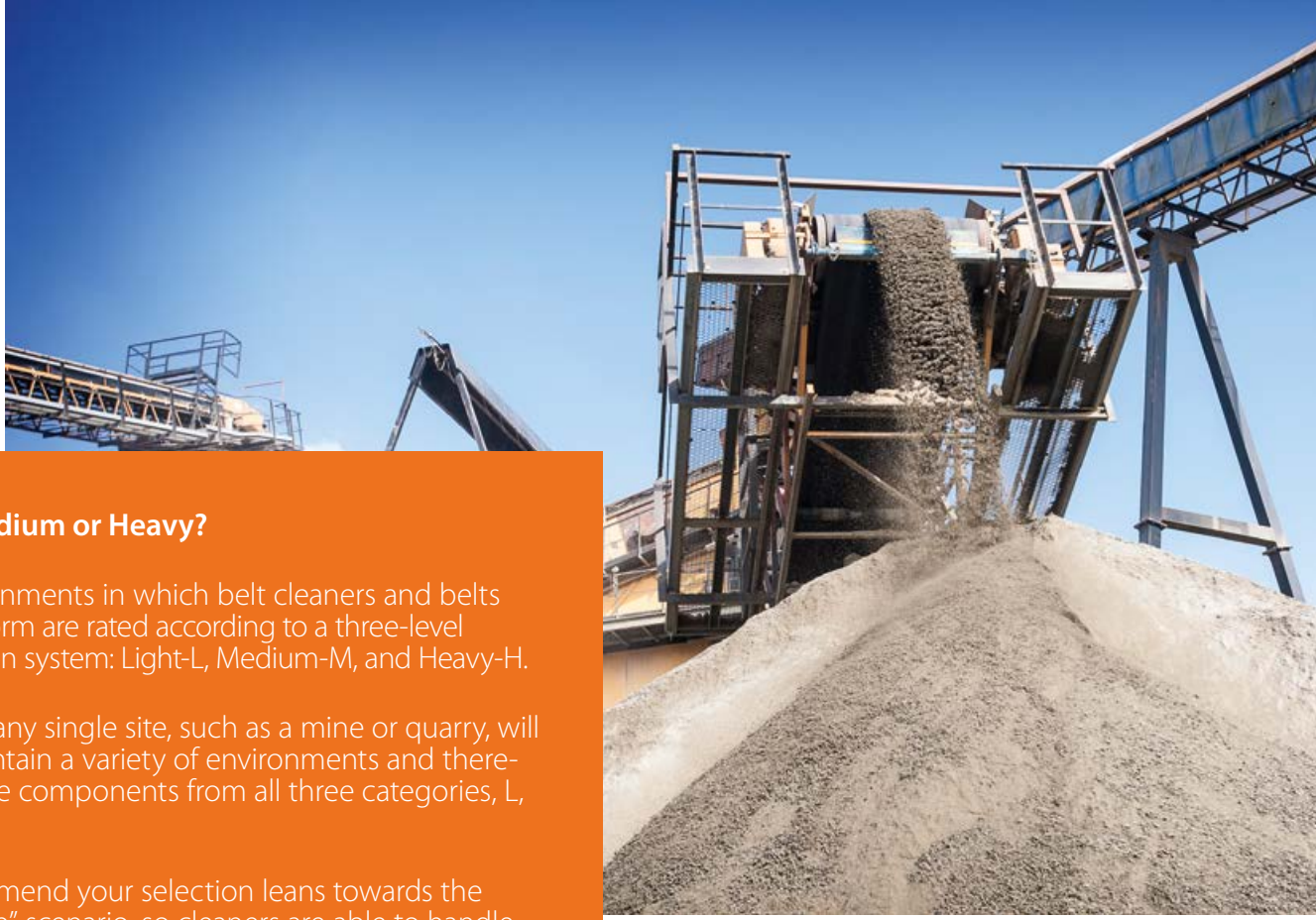
## Questionnaire

To ensure we understand our customers' needs as fully as possible, we ask you to complete a questionnaire (see chapter at the end of this handbook). Our offer to you will be based on your responses. Is your material hot or cold, wet or dry. Are you moving wood chips or iron ore? These are the basic facts and figures you need to know in order to select the right product:

1. Belt width - BW
2. Belt speed - BS
3. Head pulley diameter
4. Material characteristics
5. Application temperature
6. Type of belt splice
7. One-way or reversing







## Light, Medium or Heavy?

The environments in which belt cleaners and belts must perform are rated according to a three-level classification system: Light-L, Medium-M, and Heavy-H.

Note that any single site, such as a mine or quarry, will usually contain a variety of environments and therefore require components from all three categories, L, M and H.

We recommend your selection leans towards the “worst case” scenario, so cleaners are able to handle the variation between lighter and heavier duty.



### Light duty - L

<600 tph

Light-duty applications are often found in construction, where only small volumes are transported. Belts typically vary from 500 mm to 1200 mm wide and they tend to be in poorer condition, which can influence cleaning efficiency.

#### Typical applications:

1. Aggregate
2. Crushed stone
3. Sand and gravel
4. Cement
5. Recycling
6. Pulp & paper/wood handling
7. Steel plants/Metal casting
8. Mobile equipment - LT  
(Crushing & Screening)



### Medium duty- M

>600-4000 tph

Medium applications are typically found in both construction and mining, where conveyors run with higher belt speeds, belts vary from 1000 mm to 1600 mm wide, and materials are abrasive. Fast service and quick

cleaner and belt replacements become more important due to the high value/tonnage of materials.

#### Typical applications:

1. Bulk transport  
(not ship loading/unloading)
2. Cement
3. Crushed stone
4. Power plants
5. Steel plants/Metal casting



### Heavy duty- H

H >4000 tph

Heavy-duty applications are often found in mining, where a high tonnage of abrasive material needs to be transported quickly and efficiently. Mines operate 24/7 and downtime is expensive, so rapid service and replacements are essential.

Belts are typically 1400 mm to 3000 mm wide. Belt speeds average 4-6 m/s and chunks can be large, so impacts are forceful. There is a high risk of vibration, temperature changes and extreme moisture. Specific

materials suited to H environments include high-performance engineered polyurethanes and extra-fine tungsten carbides.

#### Typical applications:

1. Hard rock mining
2. Bulk transportation  
(loading/unloading)
3. Surface mining

## What about Shore?

Polyurethane is graded according to two scales: Shore A and Shore D. Shore is a measure of how hard or soft a rubber or polyurethane material is.

#### SHORE A

70 = Super-soft  
90 = Standard-hard  
95 = Hard

#### SHORE D

65 Shore D is an even harder PU than the 95 Shore A used in cleaners such as the ABC70 adding necessary rigidity.



# Selection guide

## - Primary Cleaners

### Just follow these three steps

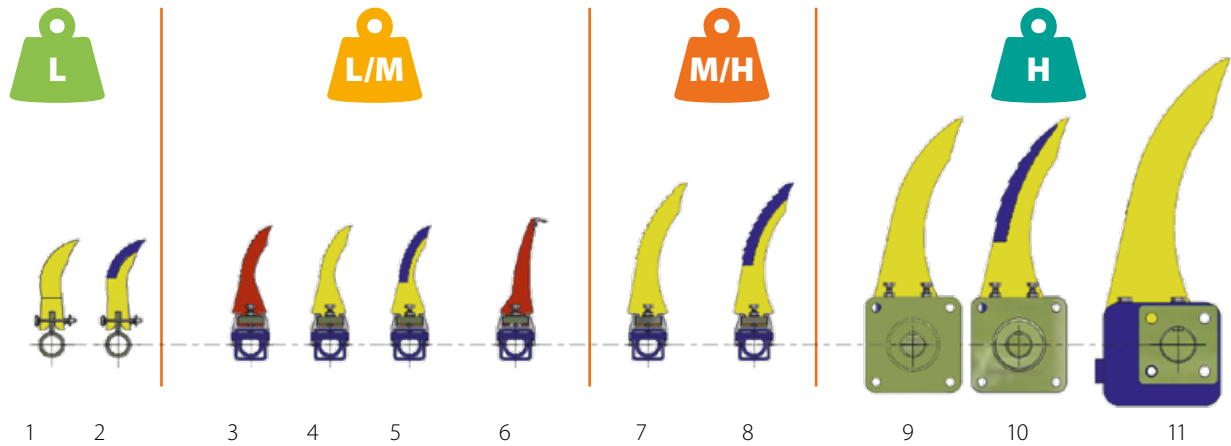
1. Find the **belt width, belt speed and pulley diameter** of the conveyor and select the cleaner size listed in the table on the page opposite.
2. If you end up with more than one option, refine your search by checking the material/application that is being conveyed in the table below.
3. If you are unsure, please do not hesitate to get in touch with your Metso representative.

### Required data

1. **Belt width - BW**
  2. **Belt speed - BS**
  3. **Pulley diameter**
  4. Material characteristics
  5. Application temperature (If above 70 °C or below -30 °C, contact your Metso representative)
  6. Type of belt splice (If not vulcanised, contact your Metso representative)
  7. One-way or reversing (If reversing, contact your Metso representative)
  8. Condition of the belt:
    - N = New belt
    - U = Used belt\*
    - W = Worn belt\*
- \* The condition of the belt is crucial for the effectiveness of the cleaner.











Pos.	Belt cleaner	Belt width – BW* (mm)	Belt speed – BS (m/s)	Pulley diameter – (mm)
1	ABC-ONE90	500-2000	< 3.5	300-600
2	ABC-ONE70	500-2000	< 3.5	300-600
3	ABC95	500-3000	< 3.5	350-600
4	ABC90	500-3000	< 3.5	350-600
5	ABC70	500-3000	< 3.5	350-600
6	ABC-HMS	500-3000	< 3.5	300-800
7	ABC90-HD	500-3000	< 4.5	600-1000
8	ABC70-HD	500-3000	< 4.5	600-1000
9	ABC90-HD-L	600-3000	< 6.0	800-1600
10	ABC70-HD-L	600-3000	< 6.0	800-1600
11	ABC90-HD-XL	700-3300	< 6.0	1000-2000

\* Other widths available upon request

Description	Hardness	Material/Application
PU70 	70 Sh A / 65 Sh D (Patented)	Super-soft hardness for abrasive materials in mining and aggregates. Especially good for wet and sticky applications (e.g. iron ore, granite, clay)
PU90 	90 Sh A	Standard hardness in the industry for mining and aggregate applications. For less abrasive materials (e.g. limestone, lignite, soft ores/stone).
PU95 	95 Sh A	Hard PU mainly for pulp and paper, wood handling and saw mills, and other non-abrasive materials.
HMS 	Extra-fine tungsten carbide HV30-1600	For cutting and abrasive materials like recycled glass, crushed flintstone, etc. Also good for sticky materials.





# Trellex ABC-ONE70

---

This belt cleaner is suitable for use with iron ore, crushed granite, or materials that stick to the belt, such as clay.

The tensioner/mainframe is compatible with our ABC-ONE90, which gives you the flexibility to change cleaners if necessary. ABC-ONE70 is also compatible with a huge installed base of other manufacturers' cleaners and mainframes and, due to dual hardness, offers an even longer lifetime.

#### **Material properties**

Designed with a combination of materials to give you an effective, stable cleaner with a long service. The soft edge is made of a special kind of polyurethane that has been engineered specifically for use in belt cleaners. This part is moulded to a harder section, consisting of a more rigid polyurethane, that gives the cleaner its firm structure.

#### **Special features**

The cleaner's dual-hardness function (the so-called 'spatula effect') is patented. This combination of softness and strength makes Trellex ABC-ONE70 the world's best cleaner for highly abrasive materials. The softness of the material in contact with the belt allows it to adapt to the surface contours (even if the belt is old and worn), thus minimising wear.



## Technical description

**Material:** Polyurethane

**Colour:** Blue/Yellow

**Density:** 1.19 g/cm<sup>3</sup>

**Hardness:** 70 Shore A/65 Shore D

**Temperature in dry air:** -30 °C to +70 °C

**Tensioner:** Steel

### Installation

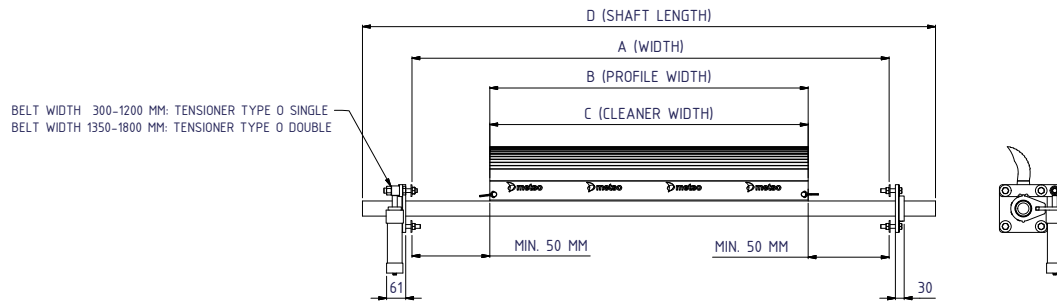
**Belt speed:** < 3.5 m/s

**Head pulley dia:** Ø 300 – 600 mm

**Tensioner:**

BW12"/300-48"/1200 mm Type O Single,

BW54"/1350-70"/1800 mm Type O Double



Part No.	Description	Weight (kg)	Max width A (mm)	Profile width B (mm)	Cleaning width C (mm)	Shaft length D (mm)
MM0410233	Trellex ABC-ONE70 <b>SET</b> BW12"/300mm	16.7	991	354	254	1067
MM0410234	Trellex ABC-ONE70 <b>SET</b> BW18"/450mm	19.3	1143	506	406	1219
MM0410235	Trellex ABC-ONE70 <b>SET</b> BW24"/600 mm	21.8	1295	659	559	1372
MM0410236	Trellex ABC-ONE70 <b>SET</b> BW30"/750mm	24.4	1448	811	711	1524
MM0410237	Trellex ABC-ONE70 <b>SET</b> BW36"/900mm	27	1600	964	864	1676
MM0410238	Trellex ABC-ONE70 <b>SET</b> BW42"/1050mm	29.5	1753	1116	1016	1829
MM0410239	Trellex ABC-ONE70 <b>SET</b> BW48"/1200mm	32	1905	1268	1168	1981
MM0410240	Trellex ABC-ONE70 <b>SET</b> BW54"/1350mm	37.8	2058	1421	1321	2134
MM0410241	Trellex ABC-ONE70 <b>SET</b> BW60"/1500mm	40.6	2210	1573	1473	2286
MM0410242	Trellex ABC-ONE70 <b>SET</b> BW72"/1800mm	46.1	2515	1878	1778	2591
MM0409957	Trellex ABC-ONE70 <b>BLADE</b> 10" / 250mm	1.8			254	
MM0409955	Trellex ABC-ONE70 <b>BLADE</b> 16" / 400mm	2.9			406	
MM0409954	Trellex ABC-ONE70 <b>BLADE</b> 22" / 550mm	4			559	
MM0409950	Trellex ABC-ONE70 <b>BLADE</b> 28" / 700mm	5.1			711	
MM0409949	Trellex ABC-ONE70 <b>BLADE</b> 34" / 850mm	6.2			864	
MM0409947	Trellex ABC-ONE70 <b>BLADE</b> 40" / 1000mm	7.3			1016	
MM0409946	Trellex ABC-ONE70 <b>BLADE</b> 46" / 1150mm	8.4			1168	
MM0409945	Trellex ABC-ONE70 <b>BLADE</b> 52" / 1300mm	9.5			1321	
MM0409944	Trellex ABC-ONE70 <b>BLADE</b> 58" / 1450mm	10.6			1473	
MM0409939	Trellex ABC-ONE70 <b>BLADE</b> 70" / 1750mm	12.8			1778	
MM0409941	Trellex ABC-ONE70 <b>BLADE</b> RAW L=1804mm	13				



# Trellex ABC-ONE90

---

The ABC-ONE90 is suitable for many applications in construction (medium-duty, e.g. limestone) and mining (light-duty, e.g. sand and gravel). The tensioner/mainframe is compatible with our ABC-ONE70, and the product is also compatible with a huge installed base of other manufacturers' cleaners and mainframes.

#### **Material properties**

This basic standard product is made of two polyurethane materials, only one of which is in contact with the belt. The stronger polyurethane makes the product structurally stable, so it does not need steel inserts.

#### **Special features**

The cleaner's serrated edge ensures the tool stays sharp to the end of its service life. At that point, you can dispose of the tool safely simply by incineration, without needing to separate any steel.



## Technical description

**Material:** Polyurethane

**Colour:** Yellow

**Density:** 1.19 g/cm<sup>3</sup>

**Hardness:** 90 Shore A

**Temperature in dry air:** -30 °C to +70 °C

**Tensioner:** Steel

### Installation

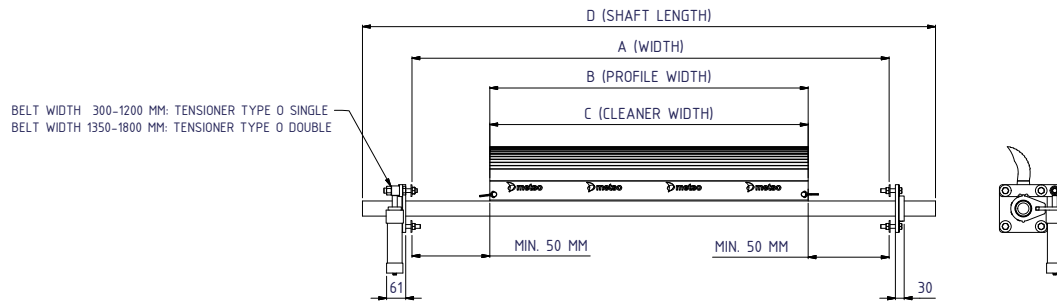
**Belt speed:** < 3.5 m/s

**Head pulley dia:** Ø 300-600 mm

**Tensioner:**

BW12"/300-48"/1200 mm Type O Single,

BW 54"/1350-70"/1800 mm Type O Double



Part No.	Description	Weight (kg)	Max width A (mm)	Profile width B (mm)	Cleaning width C (mm)	Shaft length D (mm)
MM0383822	Trellex ABC-ONE90 SET BW12"/300mm	16.7	991	354	254	1067
MM0383823	Trellex ABC-ONE90 SET BW18"/450mm	19.3	1143	506	406	1219
MM0383824	Trellex ABC-ONE90 SET BW24"/600mm	21.8	1295	659	559	1372
MM0383825	Trellex ABC-ONE90 SET BW30"/750mm	24.4	1448	811	711	1524
MM0383826	Trellex ABC-ONE90 SET BW36"/900mm	27	1600	964	864	1676
MM0383827	Trellex ABC-ONE90 SET BW42"/1050mm	29.5	1753	1116	1016	1829
MM0383828	Trellex ABC-ONE90 SET BW48"/1200mm	32	1905	1268	1168	1981
MM0383829	Trellex ABC-ONE90 SET BW54"/1350mm	37.8	2058	1421	1321	2134
MM0383830	Trellex ABC-ONE90 SET BW60"/1500mm	40.6	2210	1573	1473	2286
MM0383831	Trellex ABC-ONE90 SET BW72"/1800mm	46.1	2515	1878	1778	2591
MM0382006	Trellex ABC-ONE90 BLADE 10" / 250mm	1.8			254	
MM0382007	Trellex ABC-ONE90 BLADE 16" / 400mm	2.9			406	
MM0382008	Trellex ABC-ONE90 BLADE 22" / 550mm	4			559	
MM0382010	Trellex ABC-ONE90 BLADE 28" / 700mm	5.1			711	
MM0382011	Trellex ABC-ONE90 BLADE 34" / 850mm	6.2			864	
MM0382012	Trellex ABC-ONE90 BLADE 40" / 1000mm	7.3			1016	
MM0382013	Trellex ABC-ONE90 BLADE 46" / 1150mm	8.4			1168	
MM0382015	Trellex ABC-ONE90 BLADE 52" / 1300mm	9.5			1321	
MM0382016	Trellex ABC-ONE90 BLADE 58" / 1450mm	10.6			1473	
MM0382019	Trellex ABC-ONE90 BLADE 70" / 1750mm	12.8			1778	
MM0378788	Trellex ABC-ONE90 BLADE RAW L=1804mm	13				



# Trellex ABC70

---

The ABC70 is suitable for applications with materials that are very abrasive (e.g. iron ore) or tend to adhere to the belt (e.g. clay). The combination of softness and strength is the world's best for these kinds of applications in this size category.

#### **Material properties**

The ABC70 is made of two different kinds of polyurethane. The soft blue edge is specially engineered for use in belt cleaners, where greater softness extends the service life. The edge is moulded to the much harder yellow part, which provides structural strength and rigidity. The result is a stable, long-lasting and effective cleaner.

#### **Special features**

The cleaner's dual-hardness function comprises a desirable combination of softness and stability that delivers an extended service life because the softness of the material helps it conform to the belt surface. The cleaner edge is serrated to ensure the tool stays sharp to the end of its service life. The product is segmented rather than continuous, enabling the segments to move individually and making it easy to join them together. The tensioner and mainframe are compatible with our ABC90 and ABC95, so you always have an option to test other polyurethane materials if necessary (e.g. a 90 shore material would be sufficient during a dry period).



## Technical description

**Material:** Polyurethane

**Colour:** Blue/Yellow

**Density:** 1.19 g/cm<sup>3</sup>

**Hardness:** 70 Shore A/65 Shore D

**Temperature in dry air:** -30 °C to +70 °C

**Tensioner/cassette:** Steel/aluminium

### Installation

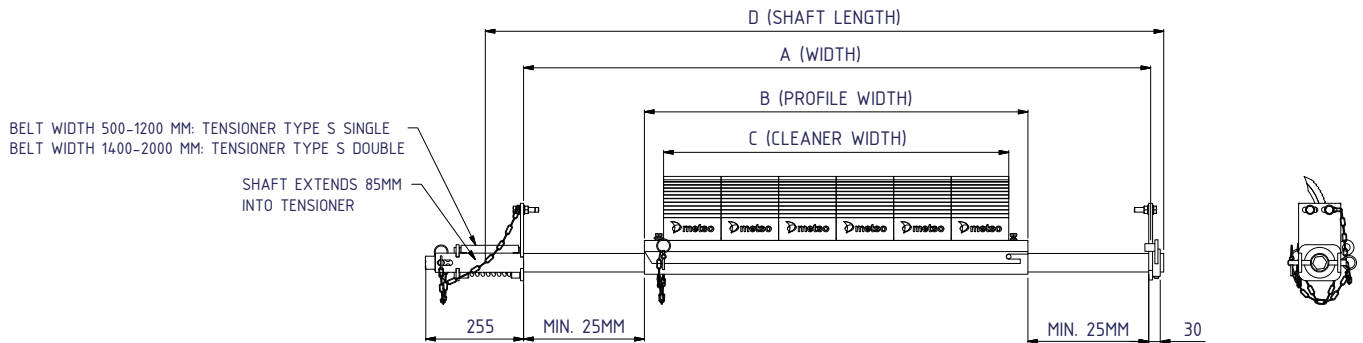
**Belt speed:** < 3.5 m/s

**Head pulley dia:** Ø 350-600 mm

**Tensioner:**

BW500(24")-1200(48") Type S Single,

BW(54")-3000(120") Type S Double



Part No.	Description	No. of blades	Weight (kg)	Max width A (mm)	Al profile width B (mm)	Cleaning width C (mm)	Shaft length D (mm)
43242417	TRELLEX ABC70 <b>BLADE</b> (150 mm)		1.2			150	
43370500	TRELLEX ABC70 <b>SET</b> BW500 (24")	3	23	1035	550	450	1150
43370650	TRELLEX ABC70 <b>SET</b> BW650 (30")	4	25	1185	700	600	1300
43370800	TRELLEX ABC70 <b>SET</b> BW800 (36")	5	28	1335	850	750	1450
43371000	TRELLEX ABC70 <b>SET</b> BW1000 (42")	6	32	1685	1000	900	1800
43371200	TRELLEX ABC70 <b>SET</b> BW1200 (48")	7	38	1835	1150	1050	2450
43375400	TRELLEX ABC70 <b>SET</b> BW(54")	8	49	2335	1450	1200	2450
43371400	TRELLEX ABC70 <b>SET</b> BW1400 (60")	9	50	2335	1450	1350	2450
43371600	TRELLEX ABC70 <b>SET</b> BW1600 (66")	10	53	2485	1600	1500	2600
43371800	TRELLEX ABC70 <b>SET</b> BW1800 (72")	11	57	2685	1800	1650	2800
43372000	TRELLEX ABC70 <b>SET</b> BW2000 (84")	13	62	2885	2000	1950	3000
<b>NEW!</b> 43372200	TRELLEX ABC70 <b>SET</b> BW2200 (90")	14	66	2990	2160	2100	3160
<b>NEW!</b> 43372400	TRELLEX ABC70 <b>SET</b> BW2400 (96")	15	69	3140	2310	2250	3310
<b>NEW!</b> 43372600	TRELLEX ABC70 <b>SET</b> BW2600 (102")	16	72	3290	2460	2400	3460
<b>NEW!</b> 43372800	TRELLEX ABC70 <b>SET</b> BW2800 (108")	17	75	3440	2610	2550	3610
<b>NEW!</b> 43373000	TRELLEX ABC70 <b>SET</b> BW3000 (120")	19	82	3740	2910	2850	3910



# Trellex ABC90

---

The ABC90 is a basic product suitable for the most common light- and medium-duty applications for materials such as soft rock and low-abrasive ores (e.g. bauxite and copper) in mining and aggregates.

#### **Material properties**

The ABC90 uses engineered polyurethane for effective scraping and a long service life. In real-life tests, products made of 90 Shore Trellex polyurethane last up to 30% longer than competing products.

#### **Special features**

The cleaner edge is serrated to ensure the tool stays sharp to the end of its service life. The product is segmented rather than continuous, enabling the segments to move individually and making it easy to join them together. The tensioner and mainframe are compatible with our ABC70 and ABC95, so you always have an option to test other polyurethane materials if necessary.



## Technical description

**Material:** Polyurethane

**Colour:** Yellow

**Density:** 1.19 g/cm<sup>3</sup>

**Hardness:** 90 Shore A

**Temperature in dry air:** -30 °C to +70 °C

**Tensioner/cassette:** Steel/aluminium

### Installation

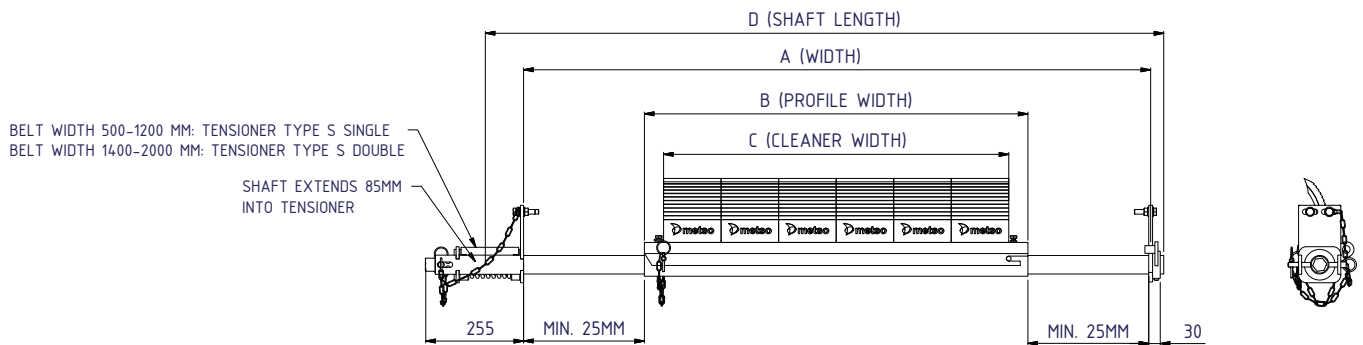
**Belt speed:** < 3.5 m/s

**Head pulley dia:** Ø 350 – 600 mm

**Tensioner:**

BW500(24")-1200(48") Type S Single,

BW(54")-3000(120") Type S Double



Part No.	Description	No. of blades	Weight (kg)	Max width A (mm)	Al profile width B (mm)	Cleaning width C (mm)	Shaft length D (mm)
43242415	TRELLEX ABC90 <b>BLADE</b> (150 mm)		1.2			150	
43300500	TRELLEX ABC90 <b>SET</b> BW500 (24")	3	23	1035	550	450	1150
43300650	TRELLEX ABC90 <b>SET</b> BW650 (30")	4	25	1185	700	600	1300
43300800	TRELLEX ABC90 <b>SET</b> BW800 (36")	5	28	1335	850	750	1450
43301000	TRELLEX ABC90 <b>SET</b> BW1000 (42")	6	32	1685	1000	900	1800
43301200	TRELLEX ABC90 <b>SET</b> BW1200 (48")	7	38	1835	1150	1050	1950
43305400	TRELLEX ABC90 <b>SET</b> BW(54")	8	49	2335	1450	1200	2450
43301400	TRELLEX ABC90 <b>SET</b> BW1400 (60")	9	50	2335	1450	1350	2450
43301600	TRELLEX ABC90 <b>SET</b> BW1600 (66")	10	53	2485	1600	1500	2600
43301800	TRELLEX ABC90 <b>SET</b> BW1800 (72")	11	57	2685	1800	1650	2800
43302000	TRELLEX ABC90 <b>SET</b> BW2000 (84")	13	62	2885	2000	1950	3000
<b>NEW!</b> 43302200	TRELLEX ABC90 <b>SET</b> BW2200 (90")	14	66	2990	2160	2100	3160
<b>NEW!</b> 43302400	TRELLEX ABC90 <b>SET</b> BW2400 (96")	15	69	3140	2310	2250	3310
<b>NEW!</b> 43302600	TRELLEX ABC90 <b>SET</b> BW2600 (102")	16	72	3290	2460	2400	3460
<b>NEW!</b> 43302800	TRELLEX ABC90 <b>SET</b> BW2800 (108")	17	75	3440	2610	2550	3610
<b>NEW!</b> 43303000	TRELLEX ABC90 <b>SET</b> BW3000 (120")	19	82	3740	2910	2850	3910



# Trellex ABC95

---

Designed specifically for handling light materials such as pulp, paper, wood, etc.

#### **Material properties**

This cleaner is made of a harder polyurethane material capable of stripping materials such as resin (e.g. from wood) adhering to the belt.

#### **Special features**

The ABC95 has a modular design that enables it to be combined in a cassette. The cleaner edge is serrated to ensure the tool stays sharp to the end of its service life. The tensioner and mainframe are compatible with our ABC70 and ABC90, so you always have an option to test other polyurethane materials if necessary.



## Technical description

**Material:** Polyurethane

**Colour:** Red

**Density:** 1.19 g/cm<sup>3</sup>

**Hardness:** 95 Shore A

**Temperature in dry air:** -30 °C to +70 °C

**Tensioner/cassette:** Steel/aluminium

### Installation

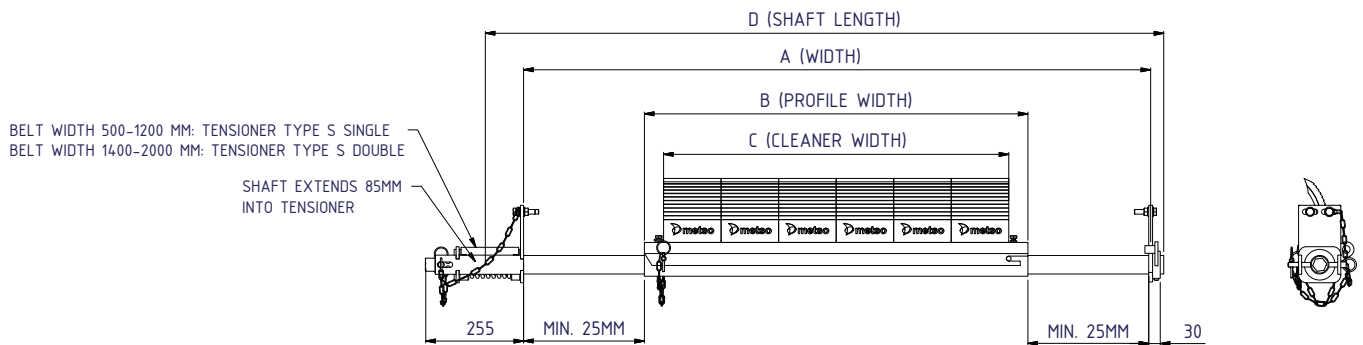
**Belt speed:** < 3.5 m/s

**Head pulley dia:** Ø 350 – 600 mm

**Tensioner:**

BW500(24")-1200(48") Type S Single,

BW(54")-3000(120") Type S Double



Part No.	Description	No. of blades	Weight (kg)	Max width A (mm)	Al profile width B (mm)	Cleaning width C (mm)	Shaft length D (mm)
43242416	TRELLEX ABC95 <b>BLADE</b> (150 mm)		1.2			150	
43360500	TRELLEX ABC95 <b>SET</b> BW500 (24")	3	23	1035	550	450	1150
43360650	TRELLEX ABC95 <b>SET</b> BW650 (30")	4	25	1185	700	600	1300
43360800	TRELLEX ABC95 <b>SET</b> BW800 (36")	5	28	1335	850	750	1450
43361000	TRELLEX ABC95 <b>SET</b> BW1000 (42")	6	32	1685	1000	900	1800
43361200	TRELLEX ABC95 <b>SET</b> BW1200 (48")	7	38	1835	1150	1050	1950
43365400	TRELLEX ABC95 <b>SET</b> BW(54")	8	49	2335	1450	1200	2450
43361400	TRELLEX ABC95 <b>SET</b> BW1400 (60")	9	50	2335	1450	1350	2450
43361600	TRELLEX ABC95 <b>SET</b> BW1600 (66")	10	53	2485	1600	1500	2600
43361800	TRELLEX ABC95 <b>SET</b> BW1800 (72")	11	57	2685	1800	1650	2800
43362000	TRELLEX ABC95 <b>SET</b> BW2000 (84")	13	62	2885	2000	1950	3000
<b>NEW!</b> 43362200	TRELLEX ABC95 <b>SET</b> BW2200 (90")	14	66	2990	2160	2100	3160
<b>NEW!</b> 43362400	TRELLEX ABC95 <b>SET</b> BW2400 (96")	15	69	3140	2310	2250	3310
<b>NEW!</b> 43362600	TRELLEX ABC95 <b>SET</b> BW2600 (102")	16	72	3290	2460	2400	3460
<b>NEW!</b> 43362800	TRELLEX ABC95 <b>SET</b> BW2800 (108")	17	75	3440	2610	2550	3610
<b>NEW!</b> 43363000	TRELLEX ABC95 <b>SET</b> BW3000 (120")	19	82	3740	2910	2850	3910



# Trellex ABC-HMS

---

The ABC-HMS is a premium product designed for the most aggressive applications where there is a risk of materials such as crushed flint or recycled glass cutting the polyurethane.

#### **Material properties**

The tip is made of purpose-engineered extra-fine tungsten carbide instead of polyurethane. This material gives you an excellent combination of strength and toughness. A special additive enhances its resistance to corrosion.

#### **Special features**

Tungsten is one of the ultimate wear materials. Our purpose-engineered extra-fine carbide grade cannot be cut, and delivers an extended service life.



## Technical description

**Material:** Tungsten carbide/Polyurethane

**Colour:** Red

**Density:** 1.19 g/cm<sup>3</sup>

**Hardness:** 95 Shore A/HV30-1600

**Temperature in dry air:** -30 °C to +70 °C

**Tensioner/cassette:** Steel/aluminium

### Installation

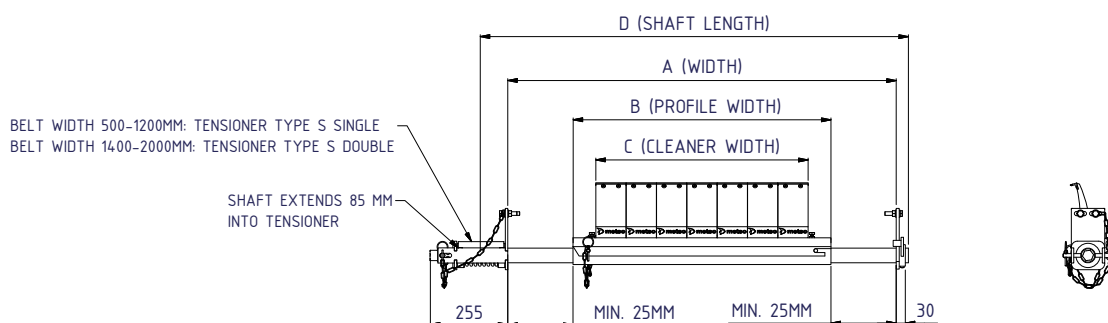
**Belt speed:** < 3.5 m/s

**Head pulley dia:** Ø 300 – 800 mm

**Tensioner:**

BW500(24")-1200(48") Type S Single,

BW(54")-3000(120") Type S Double



Part No.	Description	No. of blades	Weight (kg)	Max width A (mm)	Al profile width B (mm)	Cleaning width C (mm)	Shaft length D (mm)
43242428	TRELLEX ABC-HMS <b>BLADE</b> (100 mm)		1			100	
43320500	TRELLEX ABC-HMS <b>SET</b> BW500	4	23	1035	550	400	1150
43322400	TRELLEX ABC-HMS <b>SET</b> BW(24")	5	24	1035	550	500	1150
43320650	TRELLEX ABC-HMS <b>SET</b> BW650	6	26	1185	700	600	1300
43320800	TRELLEX ABC-HMS <b>SET</b> BW800 (30")	7	29	1335	850	700	1450
43323600	TRELLEX ABC-HMS <b>SET</b> BW(36")	8	30	1335	850	800	1450
43321000	TRELLEX ABC-HMS <b>SET</b> BW1000	9	34	1685	1000	900	1800
43324200	TRELLEX ABC-HMS <b>SET</b> BW(42")	10	39	1835	1150	1000	1950
43321200	TRELLEX ABC-HMS <b>SET</b> BW1200 (48")	11	40	1835	1150	1100	1950
43321400	TRELLEX ABC-HMS <b>SET</b> BW1400 (54")	13	52	2335	1450	1300	2450
43326000	TRELLEX ABC-HMS <b>SET</b> BW(60")	14	53	2335	1450	1400	2450
43321600	TRELLEX ABC-HMS <b>SET</b> BW1600 (66")	15	56	2485	1600	1500	2600
43321800	TRELLEX ABC-HMS <b>SET</b> BW1800 (72")	17	60	2685	1800	1700	2800
43322000	TRELLEX ABC-HMS <b>SET</b> BW2000	18	64	2885	2000	1800	3000
43328400	TRELLEX ABC-HMS <b>SET</b> BW(84")	19	65	2885	2000	1900	3000
<b>NEW!</b> 43322200	TRELLEX ABC-HMS <b>SET</b> BW2200 (90")	21	67	2990	2160	2100	3160
<b>NEW!</b> 43322400	TRELLEX ABC-HMS <b>SET</b> BW2400 (96")	22	68	3090	2260	2200	3260
<b>NEW!</b> 43322600	TRELLEX ABC-HMS <b>SET</b> BW2600 (102")	24	72	3290	2460	2400	3460
<b>NEW!</b> 43322800	TRELLEX ABC-HMS <b>SET</b> BW2800 (108")	26	76	3490	2660	2600	3660
<b>NEW!</b> 43323000	TRELLEX ABC-HMS <b>SET</b> BW3000 (120")	28	80	3690	2860	2800	3860



# Trellex ABC70-HD

---

The ABC70-HD is suitable for use with materials such as granite or iron ore in the mining and aggregates industry. It is also suitable for use where the pulley diameter exceeds 600 mm.

#### **Material properties**

This product is larger than a normal ABC70 cleaner. The HD designation indicates that it has an extended service life due to its volume, which in turn gives you a higher percentage of wear material.

#### **Special features**

The patented dual-hardness function comprises a desirable combination of softness and stability that delivers an extended service life because the softness of the material helps it conform to the belt surface. The cleaner edge is serrated to ensure the tool stays sharp to the end of its service life. The product is segmented rather than continuous, enabling the segments to move individually and be easily joined together.



## Technical description

**Material:** Polyurethane

**Colour:** Blue/Yellow

**Density:** 1.19 g/cm<sup>3</sup>

**Hardness:** 70 Shore A/65 Shore D

**Temperature in dry air:** -30 °C to +70 °C

**Tensioner/cassette:** Steel/aluminium

### Installation

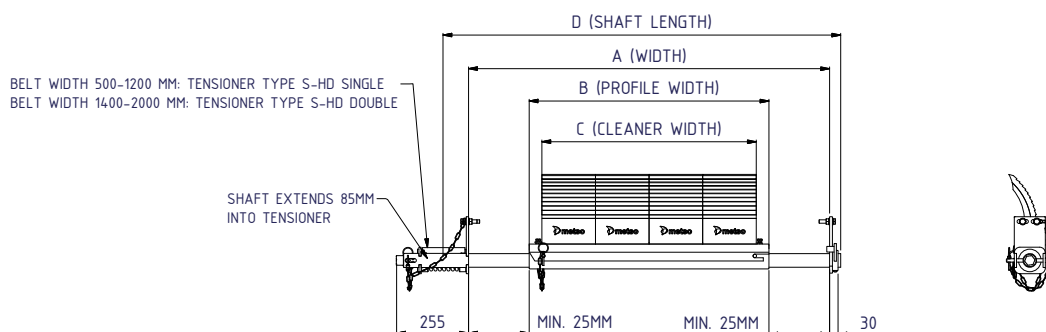
**Belt speed:** < 4.5 m/s

**Head pulley dia:** Ø 600 – 1000 mm

**Tensioner:**

BW500(24") - 1200(48") Type S-HD Single,

BW1400(54/60") - 3000(120") Type S-HD Double



Part No.	Description	No. of blades	Weight (kg)	Max width A (mm)	Al profile width B (mm)	Cleaning width C (mm)	Shaft length D (mm)
43242425	TRELLEX ABC70-HD <b>BLADE</b> (190 mm)		2.7			190	
43380500	TRELLEX ABC70-HD <b>SET</b> BW500 (24")	2	23	1035	550	380	1150
43380650	TRELLEX ABC70-HD <b>SET</b> BW650 (30")	3	28	1185	700	570	1300
43380800	TRELLEX ABC70-HD <b>SET</b> BW800 (36")	4	32	1335	850	760	1450
43381000	TRELLEX ABC70-HD <b>SET</b> BW1000 (42")	5	38	1685	1000	950	1800
43381200	TRELLEX ABC70-HD <b>SET</b> BW1200 (48")	6	49	2335	1450	1140	2450
43381400	TRELLEX ABC70-HD <b>SET</b> BW1400 (54"/60")	7	57	2280	1450	1330	2450
43381600	TRELLEX ABC70-HD <b>SET</b> BW1600 (66")	8	61	2430	1600	1520	2600
43381800	TRELLEX ABC70-HD <b>SET</b> BW1800 (72")	9	66	2630	1800	1710	2800
43382000	TRELLEX ABC70-HD <b>SET</b> BW2000 (84")	10	71	2830	2000	1900	3000
<b>NEW!</b> 43382200	TRELLEX ABC70 HD <b>SET</b> BW2200 (90")	11	78	2980	2150	2090	3150
<b>NEW!</b> 43382400	TRELLEX ABC70 HD <b>SET</b> BW2400 (96")	12	83	3170	2340	2280	3340
<b>NEW!</b> 43382600	TRELLEX ABC70 HD <b>SET</b> BW2600 (102")	13	89	3360	2530	2470	3530
<b>NEW!</b> 43382800	TRELLEX ABC70 HD <b>SET</b> BW2800 (108")	14	93	3550	2720	2660	3720
<b>NEW!</b> 43383000	TRELLEX ABC70 HD <b>SET</b> BW3000 (120")	15	99	3740	2910	2850	3910



# Trellex ABC90-HD

---

The ABC90-HD is suitable for use with materials such as granite and iron ore in mining and aggregates. It is also suitable for use where the pulley diameter exceeds 600 mm.

#### **Material properties**

The ABC90-HD uses engineered polyurethane for effective scraping and a long service life. Real-life tests show that products made of 90 Shore Trellex polyurethane last up to 30% longer than competing products.

#### **Special features**

The cleaner edge is serrated to ensure the tool stays sharp to the end of its service life.



## Technical description

**Material:** Polyurethane

**Colour:** Yellow

**Density:** 1.19 g/cm<sup>3</sup>

**Hardness:** 90 Shore A

**Temperature in dry air:** -30 °C to +70 °C

**Tensioner/cassette:** Steel/aluminium

### Installation

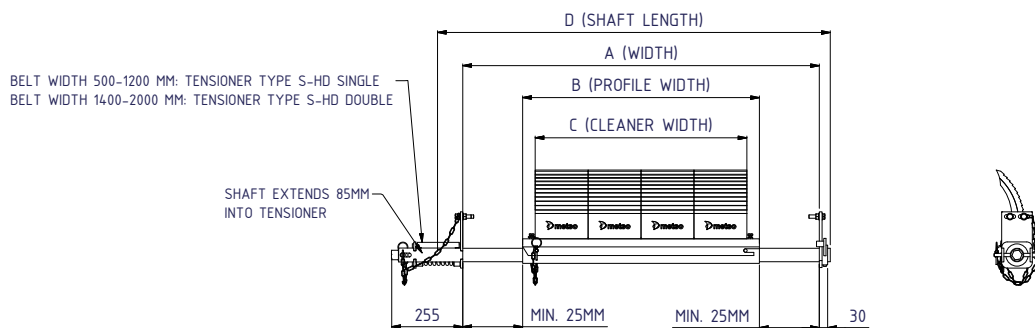
**Belt speed:** < 4.5 m/s

**Head pulley dia:** Ø 600 – 1000 mm

**Tensioner:**

BW500(24") - 1200(48") Type S-HD Single,

BW1400(54/60") - 3000(120") Type S-HD Double



Part No.	Description	No. of blades	Weight (kg)	Max width A (mm)	Al profile width B (mm)	Cleaning width C (mm)	Shaft length D (mm)
43242423	TRELLEX ABC90-HD <b>BLADE</b> (190 mm)		2.6			190	
43340500	TRELLEX ABC90-HD <b>SET</b> BW500 (24")	2	23	1035	550	380	1150
43340650	TRELLEX ABC90-HD <b>SET</b> BW650 (30")	3	28	1185	700	570	1300
43340800	TRELLEX ABC90-HD <b>SET</b> BW800 (36")	4	32	1335	850	760	1450
43341000	TRELLEX ABC90-HD <b>SET</b> BW1000 (42")	5	38	1685	1000	950	1800
43341200	TRELLEX ABC90-HD <b>SET</b> BW1200 (48")	6	49	2335	1450	1140	2450
43341400	TRELLEX ABC90-HD <b>SET</b> BW1400 (54"/60")	7	57	2280	1450	1330	2450
43341600	TRELLEX ABC90-HD <b>SET</b> BW1600 (66")	8	61	2430	1600	1520	2600
43341800	TRELLEX ABC90-HD <b>SET</b> BW1800 (72")	9	66	2630	1800	1710	2800
43342000	TRELLEX ABC90-HD <b>SET</b> BW2000 (84")	10	71	2830	2000	1900	3000
<b>NEW!</b> 43342200	TRELLEX ABC90 HD <b>SET</b> BW2200 (90")	11	78	2980	2150	2090	3150
<b>NEW!</b> 43342400	TRELLEX ABC90 HD <b>SET</b> BW2400 (96")	12	83	3170	2340	2280	3340
<b>NEW!</b> 43342600	TRELLEX ABC90 HD <b>SET</b> BW2600 (102")	13	89	3360	2530	2470	3530
<b>NEW!</b> 43342800	TRELLEX ABC90 HD <b>SET</b> BW2800 (108")	14	93	3550	2720	2660	3720
<b>NEW!</b> 43343000	TRELLEX ABC90 HD <b>SET</b> BW3000 (120")	15	99	3740	2910	2850	3910



**NEW!**

# Trellex ABC70-HD-L

The ABC70-HD-L is suitable for use with materials such as granite or iron ore in the mining and aggregates industry. It is also suitable for use where the pulley diameter exceeds 800 mm.

#### **Material properties**

This product is larger than a normal ABC70-HD cleaner. The L designation indicates that it has an extended service life due to its volume, which in turn gives you a higher percentage of wear material.

#### **Special features**

The patented dual-hardness function comprises a desirable combination of softness and stability that delivers an extended service life because the softness of the material helps it conform to the belt surface.

The cleaner edge is serrated to ensure the tool stays sharp to the end of its service life. The product is segmented rather than continuous, enabling the segments to move individually and be easily joined together.



## Technical description

**Material:** Polyurethane

**Colour:** Blue/Yellow

**Density:** 1.19 g/cm<sup>3</sup>

**Hardness:** 70 Shore A/65 Shore D

**Temperature in dry air:** -30 °C to +70 °C

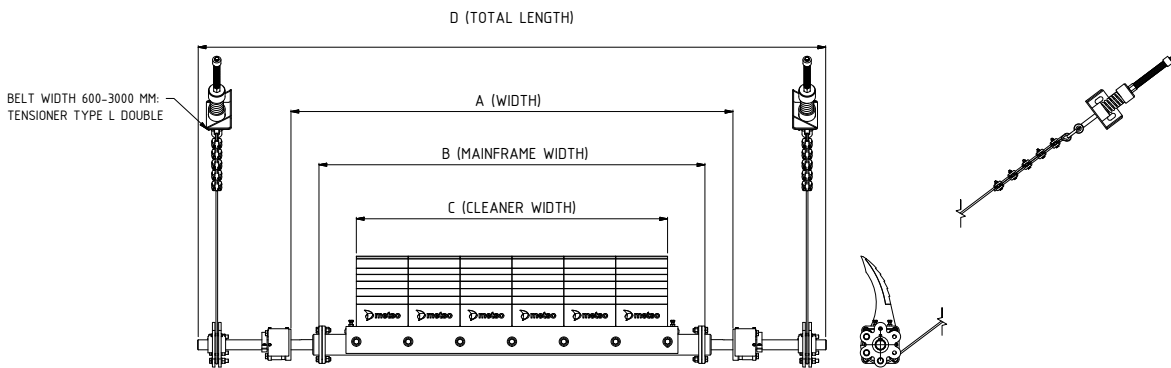
**Tensioner/cassette:** Steel/aluminium

### Installation

**Belt speed:** < 6 m/s

**Head pulley dia:** Ø 800 – 1600 mm

**Tensioner:** BW600 - 3000 mm Type L Double



Part No.	Description	No. of blades	Weight (kg)	Max width A (mm)	Min width A (mm)	Mainframe width B (mm)	Cleaning width C (mm)	Total length D (mm)
MM0451883	TRELLEX ABC70-HD-L <b>BLADE</b> (250 mm)		7,8				250	
MM0463078	TRELLEX ABC70-HD-L <b>SET</b> BW600-700	2	140	1580	1310	860	500	2030
MM0463079	TRELLEX ABC70-HD-L <b>SET</b> BW800-1000	3	160	1830	1560	1110	750	2280
MM0463080	TRELLEX ABC70-HD-L <b>SET</b> BW1100-1200	4	182	2080	1810	1360	1000	2530
MM0463081	TRELLEX ABC70-HD-L <b>SET</b> BW1300-1500	5	203	2330	2060	1610	1250	2780
MM0463083	TRELLEX ABC70-HD-L <b>SET</b> BW1600-1700	6	224	2580	2310	1860	1500	3030
MM0463084	TRELLEX ABC70-HD-L <b>SET</b> BW1800-2000	7	244	2830	2560	2110	1750	3280
MM0463085	TRELLEX ABC70-HD-L <b>SET</b> BW2100-2200	8	266	3080	2810	2360	2000	3530
MM0463087	TRELLEX ABC70-HD-L <b>SET</b> BW2300-2500	9	287	3330	3060	2610	2250	3780
MM0463089	TRELLEX ABC70-HD-L <b>SET</b> BW2600-2700	10	308	3580	3310	2860	2500	4030
MM0463090	TRELLEX ABC70-HD-L <b>SET</b> BW2800-3000	11	328	3830	3560	3110	2750	4280



# Trellex ABC90-HD-L

---

The ABC90-HD-L is suitable for heavy duty in the most demanding applications such as hard rock mining. It can deal with a wide range of materials on faster and wider belts, and is suitable for pulley diameters of 800 - 1600 mm.

#### **Material properties**

Weighing 8 kg, this cleaner has an obvious size advantage over most competing products. It offers a long service life handling large volumes of demanding materials.

#### **Special features**

The ABC90-HD-L has a mainshaft, but does not require an aluminium cassette. It uses an L tensioner instead of an S tensioner, so you can locate the tensioner either nearby or at a distance and on either side of the pulley, giving you enormous layout flexibility.

The product is available with an anti-rollback (AR) accessory. This prevents the cleaner from moving backwards (i.e. away from the belt) in conditions such as high belt speeds and wet applications.



## Technical description

**Material:** Polyurethane

**Colour:** Yellow

**Density:** 1.19 g/cm<sup>3</sup>

**Hardness:** 90 Shore A

**Temperature in dry air:** -30 °C to +70 °C

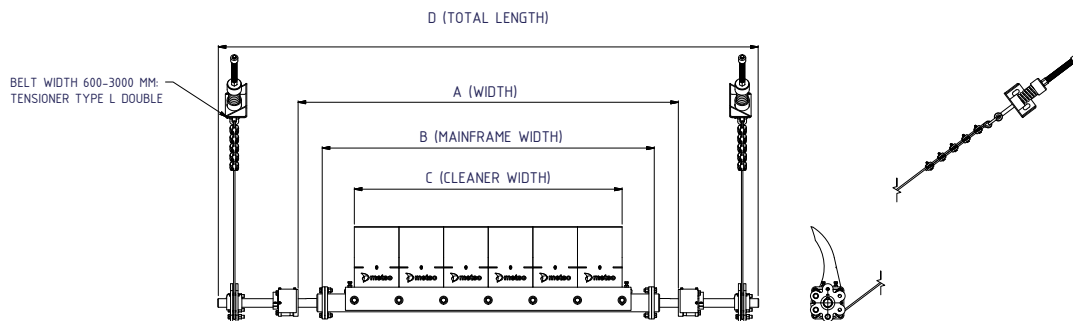
**Tensioner/cassette:** Steel/aluminium

### Installation

**Belt speed:** < 6 m/s

**Head pulley dia:** Ø 800 – 1600 mm

**Tensioner:** BW600 – 3000 mm Type L Double



Part No.	Description	No. of blades	Weight (kg)	Max width A (mm)	Min width A (mm)	Mainframe width B (mm)	Cleaning width C (mm)	Total length D (mm)
43242418	TRELLEX ABC90-HD-L <b>BLADE</b> (250 mm)		7.8				250	
MM0330879	TRELLEX ABC90-HD-L <b>SET</b> BW600-700	2	140	1580	1310	860	500	2030
MM0330880	TRELLEX ABC90-HD-L <b>SET</b> BW800-1000	3	160	1830	1560	1110	750	2280
MM0330881	TRELLEX ABC90-HD-L <b>SET</b> BW1100-1200	4	182	2080	1810	1360	1000	2530
MM0330882	TRELLEX ABC90-HD-L <b>SET</b> BW1300-1500	5	203	2330	2060	1610	1250	2780
MM0330883	TRELLEX ABC90-HD-L <b>SET</b> BW1600-1700	6	224	2580	2310	1860	1500	3030
MM0330884	TRELLEX ABC90-HD-L <b>SET</b> BW1800-2000	7	244	2830	2560	2110	1750	3280
MM0330885	TRELLEX ABC90-HD-L <b>SET</b> BW2100-2200	8	266	3080	2810	2360	2000	3530
MM0330886	TRELLEX ABC90-HD-L <b>SET</b> BW2300-2500	9	287	3330	3060	2610	2250	3780
MM0330887	TRELLEX ABC90-HD-L <b>SET</b> BW2600-2700	10	308	3580	3310	2860	2500	4030
MM0330888	TRELLEX ABC90-HD-L <b>SET</b> BW2800-3000	11	328	3830	3560	3110	2750	4280



# Trellex ABC90-HD-XL

The ABC90-HD-XL is designed for heavy duty in the most extreme applications, such as hard rock mining. Suitable for pulley diameters 1000 - 2000 mm, it can handle both wide and high-speed belts.

#### **Material properties**

Constructed from 90 Shore polyurethane, the ABC90-HD-XL is a herculean scraper. It can withstand temperature ranges from -30 °C to +70 °C as well as the extremely tough wear that comes with high belt speeds and oversized pulleys.

#### **Special features**

Weighing in at 20 kg, this scraper has an obvious size advantage over other products. It also comes with an optional anti-rollback device, which prevents the scraper from losing contact with the belt at high speeds or in wet applications. And since you can place the tensioner anywhere, the ABC90-HD-XL also offers an unusual degree of installation flexibility.

## Technical description

**Material:** Polyurethane

**Colour:** Yellow

**Density:** 1.19 g/cm<sup>3</sup>

**Hardness:** 90 Shore A

**Temperature in dry air:** -30 °C to +70 °C

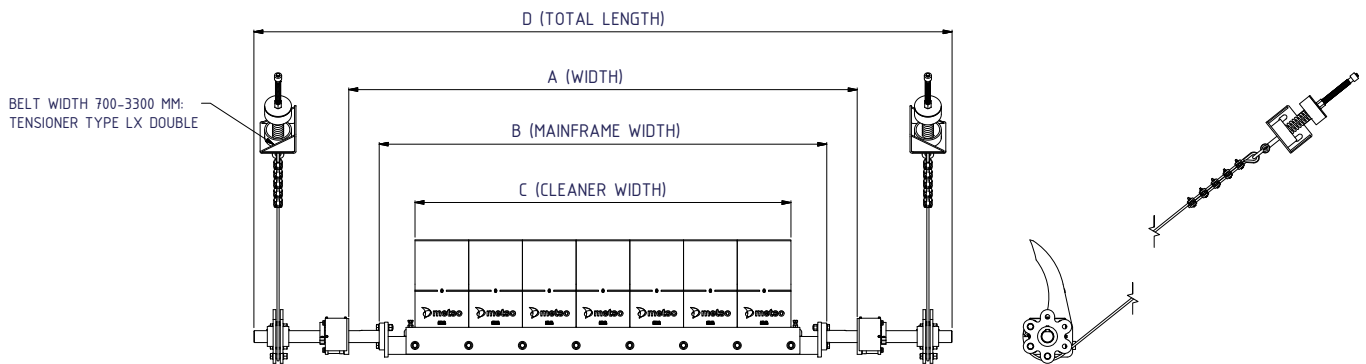
**Tensioner/cassette:** Steel/aluminium

### Installation

**Belt speed:** < 6 m/s

**Head pulley dia:** Ø 1000 – 2000 mm

**Tensioner:** BW700 – 3300 mm Type LX Double



Part No.	Description	No. of blades	Weight (kg)	Max width A (mm)	Min width A (mm)	Mainframe width B (mm)	Cleaning width C (mm)	Total length D (mm)
43242435	TRELLEX ABC90-HD-XL <b>BLADE</b> (300 mm)		19.3				300	
MM0330889	TRELLEX ABC90-HD-XL <b>SET</b> BW700-900	2	277	1830	1570	1000	600	2400
MM0330890	TRELLEX ABC90-HD-XL <b>SET</b> BW1000-1200	3	317	2130	1870	1300	900	2700
MM0330891	TRELLEX ABC90-HD-XL <b>SET</b> BW1300-1500	4	357	2430	2170	1600	1200	3000
MM0330892	TRELLEX ABC90-HD-XL <b>SET</b> BW1600-1800	5	397	2730	2470	1900	1500	3300
MM0330893	TRELLEX ABC90-HD-XL <b>SET</b> BW1900-2100	6	438	3030	2770	2200	1800	3600
MM0330894	TRELLEX ABC90-HD-XL <b>SET</b> BW2200-2400	7	475	3330	3070	2500	2100	3900
MM0330895	TRELLEX ABC90-HD-XL <b>SET</b> BW2500-2700	8	515	3630	3370	2800	2400	4200
MM0330896	TRELLEX ABC90-HD-XL <b>SET</b> BW2800-3000	9	555	3930	3670	3100	2700	4500
MM0330897	TRELLEX ABC90-HD-XL <b>SET</b> BW3100-3300	10	596	4230	3970	3400	3000	4800



# Selection guide

## - Secondary Cleaners



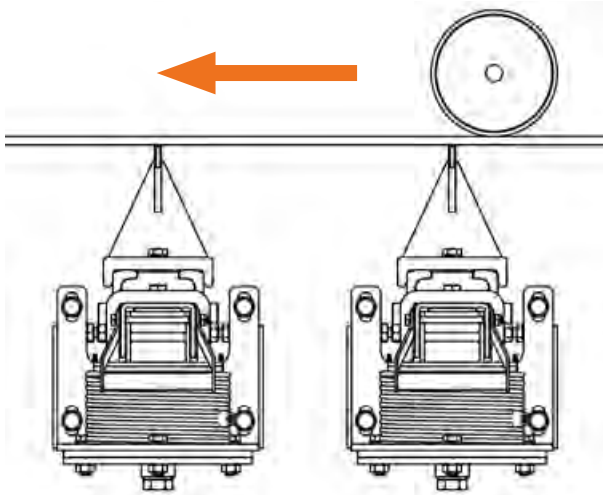
### Just follow these three simple steps

1. Find the belt speed and width, and select the cleaner size listed in the table on the page opposite.
2. If you end up with more than one option, refine your search by checking the material/application that is being conveyed in the table below.
3. If you are unsure, please do not hesitate to get in touch with your Metso representative.

#### Required data

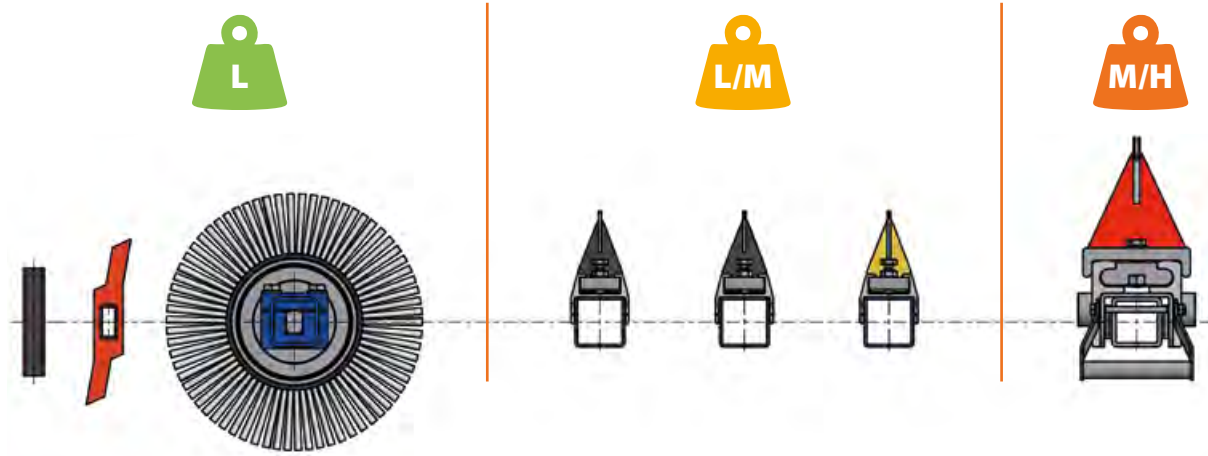
1. **Belt width - BW**
2. **Belt speed - BS**
3. Material characteristics
4. Application temperature (If above 70 °C or below -30 °C, contact your Metso representative)
5. Type of belt splice (If not vulcanised, contact your Metso representative)
6. One-way or reversing (If reversing, contact your Metso representative)
7. Condition of the belt:
  - N = New belt
  - U = Used belt\*
  - W = Worn belt\*

\* The condition of the belt is crucial for the effectiveness of the cleaner.



If the cleaner is placed away from the head drum, install a support roller to avoid belt curling.

Many conveyors can be satisfactorily cleaned with a primary and a secondary cleaner, but to achieve higher efficiency some applications need additional secondary cleaners.



Pos. 1 2 3 4 5 6 7

Pos.	Belt cleaner	Belt Width – BW (mm)	Belt Speed – BS (m/s)	Other
1	ABC EASY			Blade
2	ABC MC-LT		<3.5	Blade
3	ABC BRUSH	500-1800	<2.5	Set
4	ABCT-HS RU	500-2000	<3.5	Set
5	ABCT-HMS RU	500-3000	<3.5	Set
6	ABCT-HMS PU	500-3000	<3.5	Set
7	ABCT-HMS-HD-L PU	750-3000	<5.0	Set

**Description**

**Hardness**

**Material/Application**

Rubber/PE



60 Sh A

A sandwich construction of polyethylene and rubber, both hardwearing materials. This multipurpose cleaner is suitable for a variety of light-duty applications, can also be used as a V-plow/diagonal plow.

PU95



95 Sh A

The hard polyurethane material gives excellent rigidity and balanced performance. If your mobile crusher has a simple plank-type cleaner, this product provides an economical solution for improving performance.

Nylon/Steel



Our brushes are made of high-quality, hardwearing nylon. They are designed for dry material, but have recently been tested successfully with moist materials. We also offer brushes made with a combination of nylon and steel for use in the glass recycling industry.

Hardened steel (HS)



A hardened steel blade makes this cleaner a cost-effective option for handling non-abrasive materials such as pulp and paper, and wood handling.

Extra fine tungsten carbide HV30-1600

HV30-1600

Thanks to a super-fine tungsten carbide blade, this cleaner provides the very best performance when handling abrasive materials in mining and aggregates.





# Trellex ABC-T-HS RU

---

Suitable for less abrasive material applications such as pulp and paper, and wood handling.

#### **Material properties**

A hardened steel blade makes this cleaner a cost-effective option for handling non-abrasive materials. The blade is moulded into soft rubber so each cleaner section can move flexibly and work independently from others in the row.

#### **Special features**

With a Trellex ABC-T-HS RU, your conveyor belt is safe. The cleaner sits at 90 degrees to the belt surface, which dramatically reduces – indeed, practically eliminates – the risk of damaging the belt. Additionally, if the belt surface is slightly uneven, the soft rubber construction yields naturally to its contours. This prevents damage, either to the belt or to the cleaner itself. The cleaner can be installed both inside and outside the chute.



## Technical description

**Material:** NR Rubber with a hardened steel tip

**Colour:** Black

**Density:** 1.12 g/cm<sup>3</sup>

**Hardness:** 60 Shore A/HV30-1600

**Temperature in dry air:** -30 °C to +80 °C

**Tensioner/cassette:** Steel/aluminium

### Installation

**Belt speed:** < 3.5 m/s

**Tensioner:**

BW500 - 1200 Type Z,

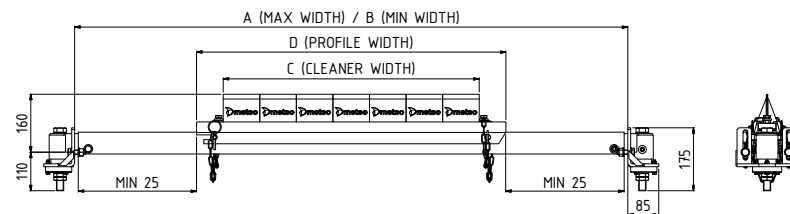
BW24" - 42" Type Z,

BW1400 - 2000 Type Z-HD,

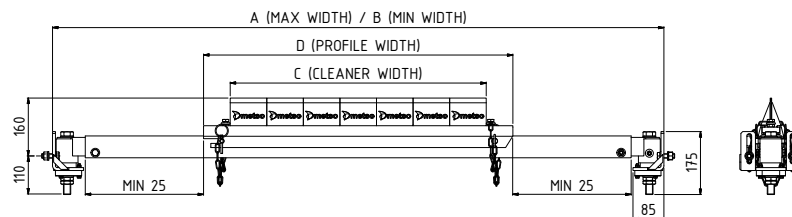
BW54" - 84" Type Z-HD



### Outside



### Inside



Part No.	Description	No. of blades	Weight (kg)	Max width A (mm)	Min width B (mm)	Cleaning width C (mm)	Al profile width D (mm)	Shaft length (mm)
43242403	TRELLEX ABC-T-HS <b>BLADE</b> RU		0.5					
MM0376424	TRELLEX ABC-T-HS RU <b>SET</b> BW500 Z	4	18	1520/1680	620/780	400	550	1500
MM0430984	TRELLEX ABC-T-HS RU <b>SET</b> BW(24") Z	5	19	1520/1680	620/780	500	550	1500
MM0376425	TRELLEX ABC-T-HS RU <b>SET</b> BW650 Z	6	19	1520/1680	770/930	600	700	1500
MM0376426	TRELLEX ABC-T-HS RU <b>SET</b> BW800 (30") Z	7	20	1520/1680	920/1080	700	850	1500
MM0430985	TRELLEX ABC-T-HS RU <b>SET</b> BW(36") Z	8	21	1520/1680	920/1080	800	850	1500
MM0376427	TRELLEX ABC-T-HS RU <b>SET</b> BW1000 Z	9	24	2020/2180	1070/1230	900	1000	2000
MM0430987	TRELLEX ABC-T-HS RU <b>SET</b> BW(42") Z	10	25	2020/2180	1220/1380	1000	1150	2000
MM0376428	TRELLEX ABC-T-HS RU <b>SET</b> BW1200 Z	11	26	2020/2180	1220/1380	1100	1150	2000
MM0376429	TRELLEX ABC-T-HS RU <b>SET</b> BW1400 (54") Z-HD	13	26	2020/2180	1520/1680	1300	1450	2000
MM0430988	TRELLEX ABC-T-HS RU <b>SET</b> BW(60") Z-HD	14	28	2020/2180	1520/1680	1400	1450	2000
MM0376430	TRELLEX ABC-T-HS RU <b>SET</b> BW1600 (66") Z-HD	15	28	3020/3180	1670/1830	1500	1600	3000
MM0376431	TRELLEX ABC-T-HS RU <b>SET</b> BW1800 (72") Z-HD	17	37	3020/3180	1870/2030	1700	1800	3000
MM0376432	TRELLEX ABC-T-HS RU <b>SET</b> BW2000 Z-HD	18	37	3020/3180	2070/2230	1800	2000	3000
MM0430989	TRELLEX ABC-T-HS RU <b>SET</b> BW(84") Z-HD	19	38	3020/3180	2070/2230	1900	2000	3000



# Trellex ABC-T-HMS RU

---

Suitable for abrasive applications in mining and aggregates.

#### **Material properties**

Thanks to a super-fine tungsten carbide blade, this cleaner provides the very best performance when handling abrasive materials. It is completely invulnerable to damage from coarse or sharp material, and therefore offers a very long lifetime. The blade is moulded into soft rubber so each cleaner section can move flexibly and work independently from others in the row.

#### **Special features**

With a Trellex ABC-T-HMS RU, your conveyor belt is safe. The cleaner sits at 90 degrees to the belt surface, which dramatically reduces – practically eliminates - the risk of damaging the belt. Additionally, if the belt surface is slightly uneven, the soft rubber construction yields naturally to prevent damage, either to the belt or the cleaner itself. The cleaner can be installed both inside and outside the chute - see sketches on page 46.

## Technical description

**Material:** NR Rubber with a tungsten carbide tip

**Colour:** Black

**Density:** 1.12 g/cm<sup>3</sup>

**Hardness:** 60 Shore A/HV30-1600

**Temperature in dry air:** -30 °C to +80 °C

**Tensioner/cassette:** Steel/aluminium

### Installation

**Belt speed:** < 3.5 m/s

**Tensioner:**

BW500 - 1200 Type Z,

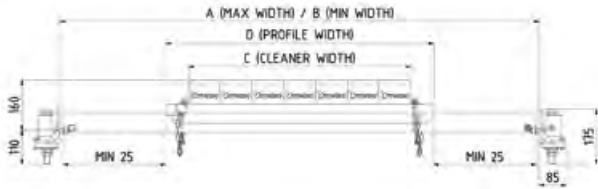
BW24" - 42" Type Z,

BW1400 - 3000 Type Z-HD,

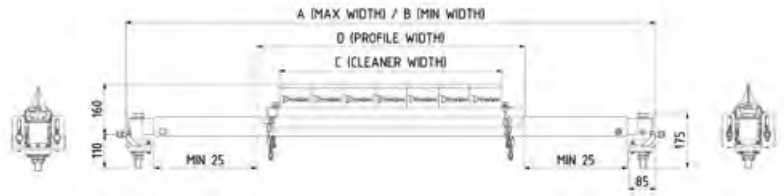
BW54" - 120" Type Z-HD



### Outside



### Inside



Part No.	Description	No. of blades	Weight (kg)	Max width A (mm)	Min width B (mm)	Cleaning width C (mm)	Al profile width D (mm)	Shaft length (mm)
43242405	TRELLEX ABC-T-HMS <b>BLADE</b> RU		0.5			100		
MM0376415	TRELLEX ABC-T-HMS RU <b>SET</b> BW500 Z	4	18	1520/1680	620/780	400	550	1500
MM0420007	TRELLEX ABC-T-HMS RU <b>SET</b> BW(24") Z	5	19	1520/1680	620/780	500	550	1500
MM0376416	TRELLEX ABC-T-HMS RU <b>SET</b> BW650 Z	6	19	1520/1680	770/930	600	700	1500
MM0376417	TRELLEX ABC-T-HMS RU <b>SET</b> BW800 (30") Z	7	20	1520/1680	920/1080	700	850	1500
MM0420008	TRELLEX ABC-T-HMS RU <b>SET</b> BW(36") Z	8	21	1520/1680	920/1080	800	850	1500
MM0376418	TRELLEX ABC-T-HMS RU <b>SET</b> BW1000 Z	9	24	2020/2180	1070/1230	900	1000	2000
MM0420010	TRELLEX ABC-T-HMS RU <b>SET</b> BW(42") Z	10	26	2020/2180	1220/1380	1000	1150	2000
MM0376419	TRELLEX ABC-T-HMS RU <b>SET</b> BW1200 Z	11	26	2020/2180	1220/1380	1100	1150	2000
MM0376420	TRELLEX ABC-T-HMS RU <b>SET</b> BW1400 (54") Z-HD	13	28	2020/2180	1520/1680	1300	1450	2000
MM0420011	TRELLEX ABC-T-HMS RU <b>SET</b> BW(60") Z-HD	14	28	2020/2180	1520/1680	1400	1450	2000
MM0376421	TRELLEX ABC-T-HMS RU <b>SET</b> BW 600 (66") Z-HD	15	35	3020/3180	1670/1830	1500	1600	3000
MM0376422	TRELLEX ABC-T-HMS RU <b>SET</b> BW1800 (72") Z-HD	17	37	3020/3180	1870/2030	1700	1800	3000
MM0376423	TRELLEX ABC-T-HMS RU <b>SET</b> BW2000 Z-HD	18	37	3020/3180	2070/2230	1800	2000	3000
MM0420012	TRELLEX ABC-T-HMS RU <b>SET</b> BW(84") Z-HD	19	38	3020/3180	2070/2230	1900	2000	3000
<b>NEW!</b> MM0474746	TRELLEX ABC-T-HMS RU <b>SET</b> BW2200(90") Z-HD	21	45	3020/3180	2230/2390	2100	2160	3250
<b>NEW!</b> MM0474747	TRELLEX ABC-T-HMS RU <b>SET</b> BW2400(96") Z-HD	22	47	3170/3330	2330/2490	2200	2260	3250
<b>NEW!</b> MM0474748	TRELLEX ABC-T-HMS RU <b>SET</b> BW2600(102") Z-HD	24	50	3370/3530	2530/2690	2400	2460	3250
<b>NEW!</b> MM0474749	TRELLEX ABC-T-HMS RU <b>SET</b> BW2800(108") Z-HD	26	53	3570/3730	2730/2890	2600	2660	3550
<b>NEW!</b> MM0474750	TRELLEX ABC-T-HMS RU <b>SET</b> BW3000(120") Z-HD	28	56	3770/3930	2930/3090	2800	2860	3750





# Trellex ABC-T-HMS PU

---

Suitable for abrasive applications in mining and aggregates.

#### **Material properties**

Thanks to a super-fine tungsten carbide blade, this cleaner provides the very best performance when handling abrasive materials. It is completely invulnerable to damage from coarse or sharp material, and therefore offers a very long lifetime.

#### **Special features**

The blade is moulded into hard PU, which helps it maintain a precise 90-degree angle to the belt surface. This gives a high degree of efficiency, but please note that it should not be used on a mechanically spliced or heavily worn belt. The cleaner can be installed both inside and outside the chute - see sketches on page 46.

## Technical description

**Material:** Polyurethane with a tungsten carbide tip

**Colour:** Yellow

**Density:** 1.19 g/cm<sup>3</sup>

**Hardness:** 90Shore A/HV30-1600

**Temperature in dry air:** -30 °C to +70 °C

**Tensioner/cassette:** Steel/aluminium

### Installation

**Belt speed:** < 3.5 m/s

**Tensioner:**

BW500 - 1200 Type Z,

BW24" - 42" Type Z,

BW1400 - 3000 Type Z-HD,

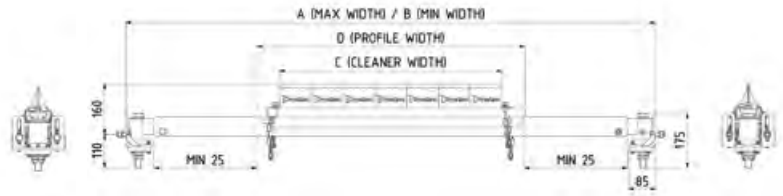
BW54" - 120" Type Z-HD



### Outside



### Inside



Part No.	Description	No. of blades	Weight (kg)	Max width A (mm)	Min width B (mm)	Cleaning width C (mm)	Al profile width D (mm)	Shaft length (mm)
43242410	TRELLEX ABC-T-HMS <b>BLADE</b> PU		0.5			100		
MM0376406	TRELLEX ABC-T-HMS PU <b>SET</b> BW500 Z	4	18	1520/1680	620/780	400	550	1500
MM0420040	TRELLEX ABC-T-HMS PU <b>SET</b> BW(24") Z	5	19	1520/1680	620/780	500	550	1500
MM0376407	TRELLEX ABC-T-HMS PU <b>SET</b> BW650 Z	6	19	1520/1680	770/930	600	700	1500
MM0376408	TRELLEX ABC-T-HMS PU <b>SET</b> BW800 (30") Z	7	20	1520/1680	920/1080	700	850	1500
MM0420041	TRELLEX ABC-T-HMS PU <b>SET</b> BW(36") Z	8	21	1520/1680	920/1080	800	850	1500
MM0376409	TRELLEX ABC-T-HMS PU <b>SET</b> BW1000 Z	9	24	2020/2180	1070/1230	900	1000	2000
MM0420042	TRELLEX ABC-T-HMS PU <b>SET</b> BW(42") Z	10	26	2020/2180	1220/1380	1000	1150	2000
MM0376410	TRELLEX ABC-T-HMS PU <b>SET</b> BW1200 Z	11	26	2020/2180	1220/1380	1100	1150	2000
MM0376411	TRELLEX ABC-T-HMS PU <b>SET</b> BW1400 (54") Z-HD	13	28	2020/2180	1520/1680	1300	1450	2000
MM0420043	TRELLEX ABC-T-HMS PU <b>SET</b> BW(60") Z-HD	14	28	2020/2180	1520/1680	1400	1450	2000
MM0376412	TRELLEX ABC-T-HMS PU <b>SET</b> BW1600 (66") Z-HD	15	35	3020/3180	1670/1830	1500	1600	3000
MM0376413	TRELLEX ABC-T-HMS PU <b>SET</b> BW1800 (72") Z-HD	17	37	3020/3180	1870/2030	1700	1800	3000
MM0376414	TRELLEX ABC-T-HMS PU <b>SET</b> BW2000 Z-HD	18	37	3020/3180	2070/2230	1800	2000	3000
MM0420044	TRELLEX ABC-T-HMS PU <b>SET</b> BW(84") Z-HD	19	38	3020/3180	2070/2230	1900	2000	3000
<b>NEW!</b> MM0473661	TRELLEX ABC-T-HMS PU <b>SET</b> BW2200(90") Z-HD	21	45	3020/3180	2230/2390	2100	2160	3250
<b>NEW!</b> MM0473662	TRELLEX ABC-T-HMS PU <b>SET</b> BW2400(96") Z-HD	22	47	3170/3330	2330/2490	2200	2260	3250
<b>NEW!</b> MM0473663	TRELLEX ABC-T-HMS PU <b>SET</b> BW2600(102") Z-HD	24	50	3370/3530	2530/2690	2400	2460	3250
<b>NEW!</b> MM0473664	TRELLEX ABC-T-HMS PU <b>SET</b> BW2800(108") Z-HD	26	53	3570/3730	2730/2890	2600	2660	3550
<b>NEW!</b> MM0473665	TRELLEX ABC-T-HMS PU <b>SET</b> BW3000(120") Z-HD	28	56	3770/3930	2930/3090	2800	2860	3750



# Trellex ABC-T-HMS-HD-L

---

This cleaner is made for use in the toughest mining applications.

#### **Material properties**

Made with extra-fine tungsten carbide moulded into polyurethane, this cleaner has the prerequisites to give you the longest lifetime of any in our portfolio.

The generous volume of tungsten carbide used (up to 40% more than competing models) further adds to the product lifetime.

#### **Special features**

The cleaner comes in segments, which means you can get the exact width to match your belt, as well as other advantages such as cost-effective single-segment replacements. A stainless steel slidable cassette makes it quick and safe to replace blades, and a highly advanced tensioner ensures reliable performance, even under extreme conditions.

See more on pages covering secondary tensioners.



## Technical description

**Material:** Polyurethane with a tungsten carbide tip

**Colour:** Red

**Density:** 1.19 g/cm<sup>3</sup>

**Hardness:** 90 Shore A

**Temperature in dry air:** -30 °C to +70 °C

**Tensioner/cassette:**

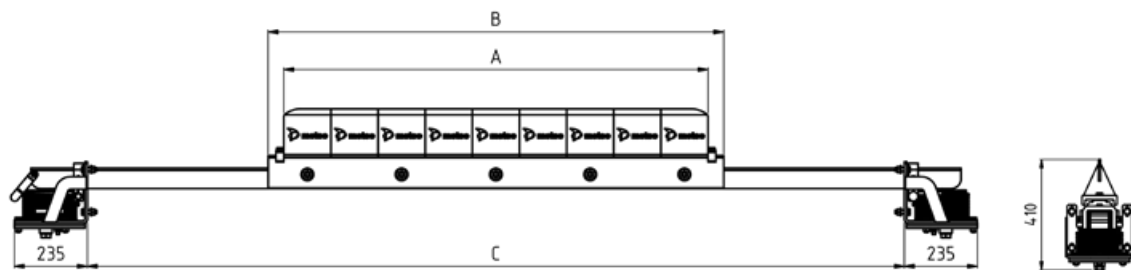
Steel/aluminium and stainless steel

### Installation

**Belt speed:** < 5 m/s

**Tensioner:**

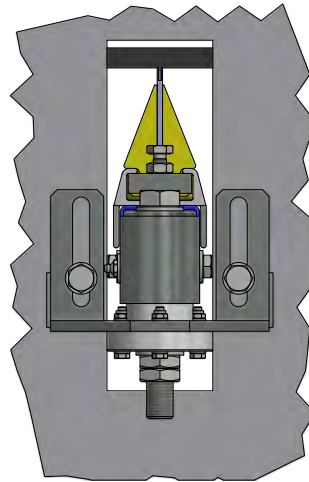
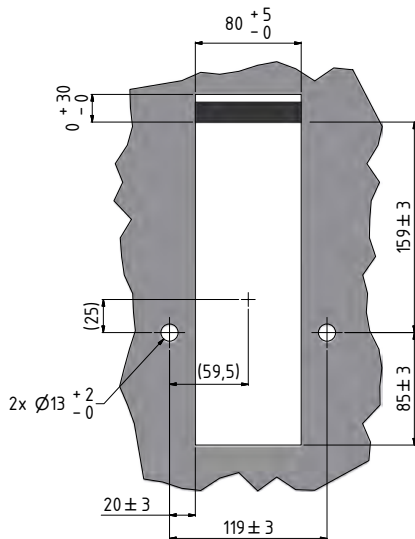
BW750 (30") - 3000 (120") Type Z-HD-L



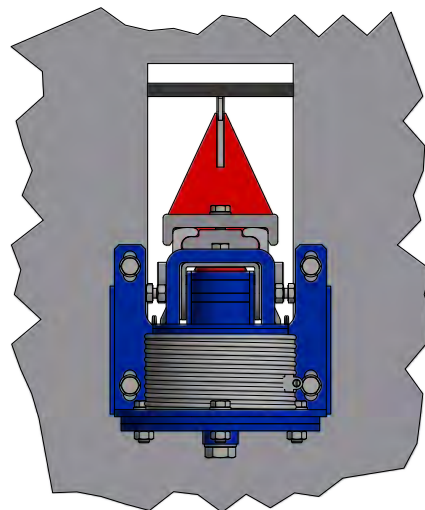
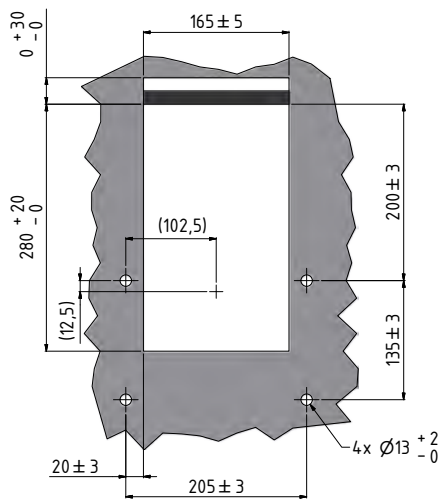
Part No.	Description	No. of blades	Weight (kg)	Cleaning width A (mm)	Al profile width B (mm)	Min width C (mm)	Max width C (mm)
MM0433600	TRELLEX ABC-T-HMS-HD-L <b>BLADE</b> PU		2,9	150			
MM0433601	TRELLEX ABC-T-HMS-HD-L <b>EDGE BLADE</b> PU		2,9	150			
MM0433952	TRELLEX ABC-T-HMS-HD-L <b>SET</b> BW30" / 750mm	4	95	600	700	700	1850
MM0433953	TRELLEX ABC-T-HMS-HD-L <b>SET</b> BW36" / 900mm	5	106	750	850	850	2000
MM0433954	TRELLEX ABC-T-HMS-HD-L <b>SET</b> BW42" / 1050mm	6	116	900	1000	1000	2150
MM0433957	TRELLEX ABC-T-HMS-HD-L <b>SET</b> BW48" / 1200mm	7	121	1050	1150	1150	2300
MM0433958	TRELLEX ABC-T-HMS-HD-L <b>SET</b> BW54" / 1350mm	8	128	1200	1300	1300	2450
MM0433959	TRELLEX ABC-T-HMS-HD-L <b>SET</b> BW60" / 1500mm	9	135	1350	1450	1450	2600
MM0433960	TRELLEX ABC-T-HMS-HD-L <b>SET</b> BW66" / 1650mm	10	145	1500	1600	1600	2750
MM0433961	TRELLEX ABC-T-HMS-HD-L <b>SET</b> BW72" / 1800mm	11	152	1650	1750	1750	2900
MM0433962	TRELLEX ABC-T-HMS-HD-L <b>SET</b> BW84" / 2100mm	13	174	1950	2050	2050	3200
MM0433963	TRELLEX ABC-T-HMS-HD-L <b>SET</b> BW96" / 2400mm	15	189	2250	2350	2350	3500
MM0433964	TRELLEX ABC-T-HMS-HD-L <b>SET</b> BW120" / 3000mm	19	216	2850	2950	2950	4100

## Drill and cut template

**NEW!**



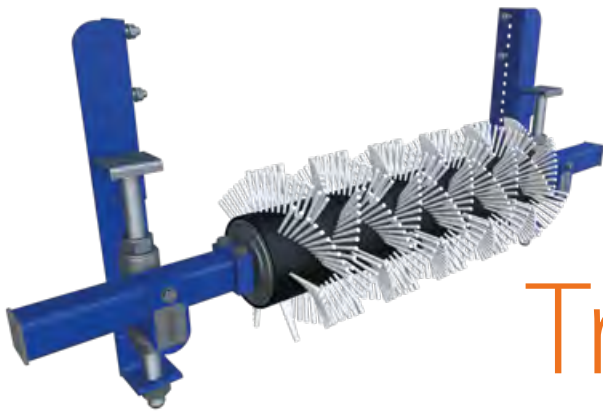
Dimensions in brackets are used when installing using the SIT (Scraper Installation Tool).



Dimensions in brackets are used when installing using the SIT (Scraper Installation Tool).







# Trellex ABC-BRUSH

---

This brush is ideal for cleaning cleated belts, helping maintain a clean surface without damaging the belt's profile. It is also a good complement to cleaners on standard smooth belts where fine, dry materials are being conveyed.

#### **Material properties**

Our standard brushes are made of high-quality, hardwearing nylon. We also offer standard brushes made with a combination of nylon and steel for use in the glass recycling industry. A central core of lightweight plastic (polypropylene) makes installation and section replacements easy.

#### **Special features**

The brush tube consists of 150 mm long modules. This saves on replacement parts, as well as giving complete size flexibility and guaranteeing availability. For a larger belt, just add more sections. The belt brush is driven by a fully encapsulated drum motor. This is not only a space-efficient alternative to an external motor but also highly reliable since no dust or dirt can enter and interfere with its mechanical moving parts.

## Technical description

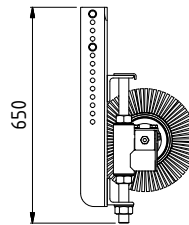
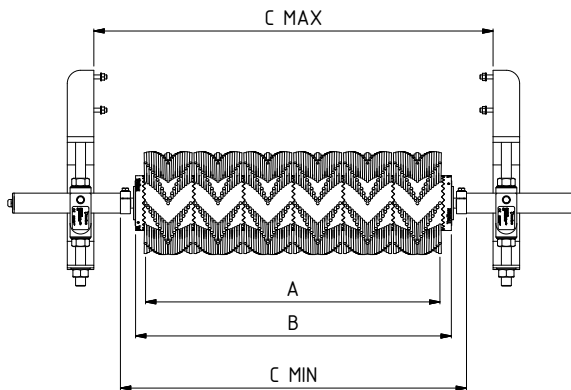
**Material:** Nylon/steel/polypropylene

**Temperature:** -25 °C to +40 °C

## Installation

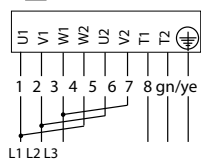
**Belt speed:** <2.5 m/s (<500 fpm)

**Belt width:** 500-1800 mm

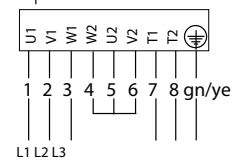


### Trellex Belt Brush Motor 138 E Standard

△ 3-Ph-Motor



Y 3-Ph-Motor



50 Hz 3x220-240 V

60 Hz 3x255-280 V

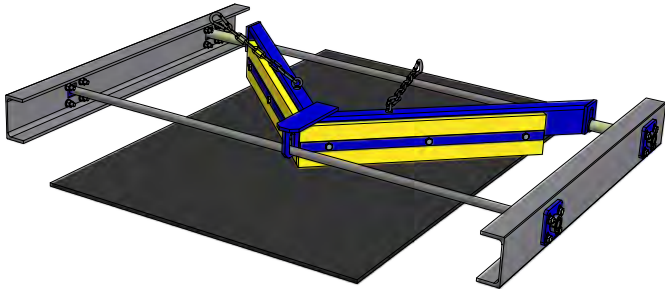
3x380-415 V 138 rpm

3x440-480 V 166 rpm

Standard, other electrical connecting contact PL

Part No.	Description	No. of brush modules*	Weight (kg)	Cleaning width A (mm)	Motor width B (mm)	Min width C (mm)	Max width C (mm)
43290150	TRELLEX ABC-BRUSH <b>MODULE</b> D=1,5 (Nylon)		1,7	150			
43290158	TRELLEX ABC-BRUSH <b>MODULE</b> D=0,3/1,5 (Steel/Nylon)		2,5	150			
43290016	TRELLEX ABC-BRUSH <b>LOCKING RING</b> FOR BRUSH		0,2				
43390500	TRELLEX ABC-BRUSH <b>SET</b> BW500	3	62	450	500	593	933
43390650	TRELLEX ABC-BRUSH <b>SET</b> BW650	4	68	600	650	743	1083
43390800	TRELLEX ABC-BRUSH <b>SET</b> BW800	5	73	750	800	893	1233
43391000	TRELLEX ABC-BRUSH <b>SET</b> BW1000	6	78	900	950	1043	1383
43391200	TRELLEX ABC-BRUSH <b>SET</b> BW1200	7	83	1050	1100	1193	1533
43391400	TRELLEX ABC-BRUSH <b>SET</b> BW1400	9	92	1350	1400	1493	1833
43391600	TRELLEX ABC-BRUSH <b>SET</b> BW1600	10	97	1500	1550	1643	1983
43391800	TRELLEX ABC-BRUSH <b>SET</b> BW1800	11	102	1650	1700	1793	2133

\* Our standard brushes (43290150) are included in TRELLEX ABC-BRUSH-SET



**NEW!**

# Trellex ABC-V-Plow

Following on from 100s of successful installations in the US and Canada, we decided to take the Trellex ABC-V-Plow global. Now available in both imperial and metric measures, this V-shaped plow dislodges unwanted materials off the underside of your belt as it returns. In this way, it keeps your valuable belt and tail pulley safe from harm, while also efficiently preventing belt misalignment. In fact, the Trellex ABC-V-Plow protects your equipment so reliably, it pays for itself many times over.

#### **Material properties**

The ABC V-plow's 25mm (1") thick blades are made of 90 Shore A PU, a polyurethane that's engineered for effective scraping and a long service life. The V-plow's blades can be turned over and re-installed when worn out, effectively doubling their lifetime.

#### **Special features**

A smart frame design allows for easy installation without welding. The plow is first attached to the conveyor frame, then the blades are bolted onto the plow. This design also makes it easy to replace worn blades when needed.

The plow blades are kept as close to the belt as possible, ensuring uniform contact pressure between them and the belt during operation. As they become worn, the blades automatically move down, ensuring a steady pressure is always applied.

When correctly installed, the V-plow does not require safety chains to prevent the steel frame from contacting the belt. However, as an extra precaution, a safety chain is included in the package to prevent the plow frame from traveling back into the pulley, should the supports become dislodged.



## Technical description

**Material:** Polyurethane

**Colour:** Yellow/Blue

**Density:** 1.19 g/cm<sup>3</sup>

**Hardness:** 90 Shore A

**Temperature in dry air:** -30 °C to +70 °C

**Construction material:** Steel

### Installation

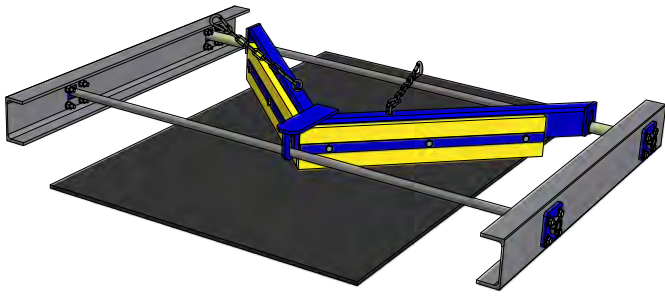
**Belt speed:** Max 5 m/s (1000 FPM)

**Belt direction:** One way

**Belt width:** 500-2400 mm (18"-96")

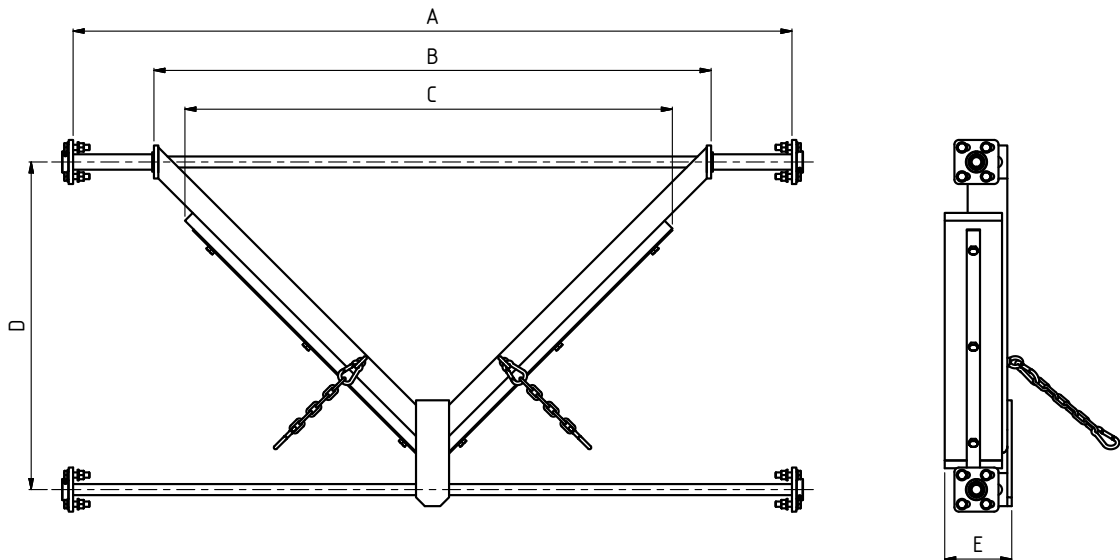


Part no.	Description	Weight (kg)
MM0455329	TRELLEX ABC-V-PLOW <b>SET</b> BW18" (500mm) PU V-RETURN	27
MM0454297	TRELLEX ABC-V-PLOW <b>SET</b> BW24" (650mm) PU V-RETURN	30
MM0444703	TRELLEX ABC-V-PLOW <b>SET</b> BW30" (800mm) PU V-RETURN	34
MM0444705	TRELLEX ABC-V-PLOW <b>SET</b> BW36" PU V-RETURN	36
MM0444706	TRELLEX ABC-V-PLOW <b>SET</b> BW42" (1000mm) PU V-RETURN	41
MM0444707	TRELLEX ABC-V-PLOW <b>SET</b> BW48" (1200mm) PU V-RETURN	44
MM0444708	TRELLEX ABC-V-PLOW <b>SET</b> BW54" (1400mm) PU V-RETURN	57
MM0444709	TRELLEX ABC-V-PLOW <b>SET</b> BW60" (1600mm) PU V-RETURN	63
MM0452951	TRELLEX ABC-V-PLOW <b>SET</b> BW72" (1800mm) PU V-RETURN	92
MM0458412	TRELLEX ABC-V-PLOW <b>SET</b> BW2000mm PU V-RETURN	98
MM0459070	TRELLEX ABC-V-PLOW <b>SET</b> BW84" (2200mm) PU V-RETURN	144
MM0459079	TRELLEX ABC-V-PLOW <b>SET</b> BW96" (2400mm) PU V-RETURN	155
MM0458914	TRELLEX ABC-V-PLOW <b>BLADE</b> 18"(500MM) PU	1,4
MM0458410	TRELLEX ABC-V-PLOW <b>BLADE</b> 24"(650MM) PU	1,8
MM0445410	TRELLEX ABC-V-PLOW <b>BLADE</b> 30"(800MM) PU	2,2
MM0458920	TRELLEX ABC-V-PLOW <b>BLADE</b> 36" PU	2,6
MM0445449	TRELLEX ABC-V-PLOW <b>BLADE</b> 42"(1000MM) PU	3
MM0445478	TRELLEX ABC-V-PLOW <b>BLADE</b> 48"(1200MM) PU	3,4
MM0445515	TRELLEX ABC-V-PLOW <b>BLADE</b> 54"(1400MM) PU	3,9
MM0445519	TRELLEX ABC-V-PLOW <b>BLADE</b> 60"(1600MM) PU	4,5
MM0453903	TRELLEX ABC-V-PLOW <b>BLADE</b> 72"(1800MM) PU	5,1
MM0459046	TRELLEX ABC-V-PLOW <b>BLADE</b> 2000MM PU	5,6
MM0459068	TRELLEX ABC-V-PLOW <b>BLADE</b> 84"(2200MM) PU	6,2
MM0459081	TRELLEX ABC-V-PLOW <b>BLADE</b> 96"(2400MM) PU	6,8



# Trellex NEW! ABC-V-Plow

Continued from previous page



Set Part Number PU	Belt Width (inch)	Belt Width (mm)	Weight (kg)	A (mm)	Profile width B (mm)	Cleaning width C (mm)	D (mm)	E (mm)
MM0455329	18	500	27	1025	576	534	414	152
MM0454297	24	650	30	1170	717	682	514	152
MM0444703	30	800	34	1385	929	831	591	152
MM0444705	36	-	36	1475	1000	944	640	152
MM0444706	42	1000	41	1720	1264	1105	743	152
MM0444707	48	1200	44	1865	1414	1258	819	152
MM0444708	54	1400	57	1985	1533	1425	895	157
MM0444709	60	1600	63	2135	1686	1644	972	157
MM0452951	72	1800	92	2388	1919	1856	1149	162
MM0458412	-	2000	98	2600	2055	2040	1190	162
MM0459070	84	2200	144	2852	2338	2238	1306	177
MM0459079	96	2400	155	3082	2573	2473	1421	177



# Trellex ABC-Easy

---

This multipurpose cleaner is suitable for a variety of light-duty applications.

#### Material properties

A sandwich construction of polyethylene and rubber - both hardwearing materials - gives the product a long service life. In addition, the polyethylene's low friction reduces the risk of material build-up.

#### Special features

The ABC-Easy can also be used as a V-plow/diagonal plow.

Part No.	Description	Dimensions (mm)	Weight (kg)
<b>1829906</b>	TRELLEX ABC-EASY	25x130x500	1.8
<b>1829909</b>	TRELLEX ABC-EASY	25x130x1000	3.7
<b>1829907</b>	TRELLEX ABC-EASY	25x130x1500	5.6
<b>1829911</b>	TRELLEX ABC-EASY	25x130x2000	7.4





# Trellex ABC-MC-LT



This simple yet hard cleaner is suitable for all mobile Metso Crushers - Lokotracks - as well as many other brands.

#### Material properties

The hard polyurethane material (PU 95) gives excellent rigidity and balanced performance .

#### Special features

Thanks to two cleaning zones, this product offers double the usual service life. When one zone is worn out, you can use the other, simply by turning the cleaner round.

If your mobile crusher has a simple plank-type cleaner, this product provides an economical solution for improving performance. Since it is a Lokotrack replacement part, availability is guaranteed.

Part No.	Description	Dimension (mm)	Weight (kg)
43242432	TRELLEX ABC-MC-LT	150	0.8





# TrellexABC-LT Cleaner Kit

**NEW!**



Compact tensioner system and support plates for quick installation. Designed to improve maintenance efficiency

### Material properties

For over a century, Metso Lokotracks have continually proven reliable in the field. However, proper maintenance is key. A dependable belt cleaning solution is needed for your Lokotrack to maintain its high degree of performance.

Metso's patented Trellex ABC-LT cleaner kit, the ABC70, is built to be durable with extended wear life. Its compact tensioner system and support plates make it quick and simple to mount and fasten. As a result, change-outs become more efficient and equipment availability is improved.

	Part No.	Description	Lokotrack model	Weight (kg)
<b>NEW!</b>	<b>MM0461802</b>	LT CLEANER KIT	LT120	54,9
<b>NEW!</b>	<b>MM0461804</b>	LT CLEANER KIT	LT120E	52,5
	<b>43242417</b>	TRELLEX ABC70 <b>BLADE</b>		1,2



# Trellex ABC – Tool SIT

Use our Scraper Installation Tool (SIT) to speed up your scraper installations, eliminate time-consuming manual calculations and get quick, accurate results. Developed by Metso, SIT uses laser precision to identify the optimal position in a chute or plate for mounting your Metso primary and secondary scrapers.

**Compatible with Trellex ABC primary cleaners:**

Trellex ABC70, ABC90, ABC95, ABC70-HD, ABC90-HD, ABC-HMS.

With an adapter, SIT can be used with ABC-ONE, ABC70-HD-L, ABC90-HD-L and ABC90HD-XL.

**Compatible with Trellex ABC secondary cleaners:**

Trellex ABC-T-HS, ABC-T-HMS.

With an adaptor, SIT can be used with ABC-T-HMS-HD-L.

**Benefits in brief:**

- No more errors or inaccuracies. SIT instantly laser-spots the exact mounting sites on both sides
- Optimised installation maximises performance and can thereby extend the wear life of your scrapers
- Light to carry; quick and easy to use
- You get hassle-free scraper installation and negligible downtime
- SIT contributes to overall site safety by ensuring scrapers are mounted properly



SIT is light and compact, with replaceable batteries. It comes packed in a tough plastic carrying case with easy-to-follow instructions.



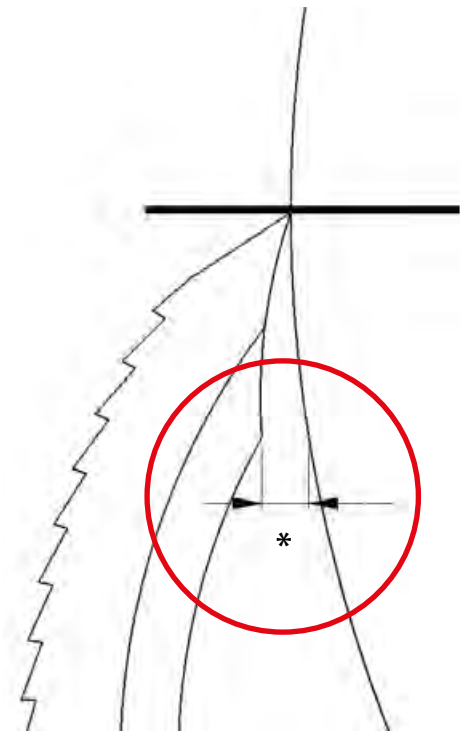
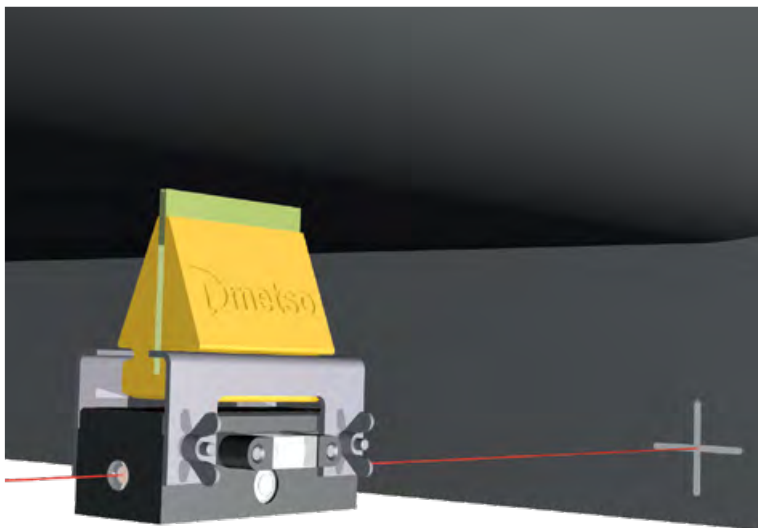
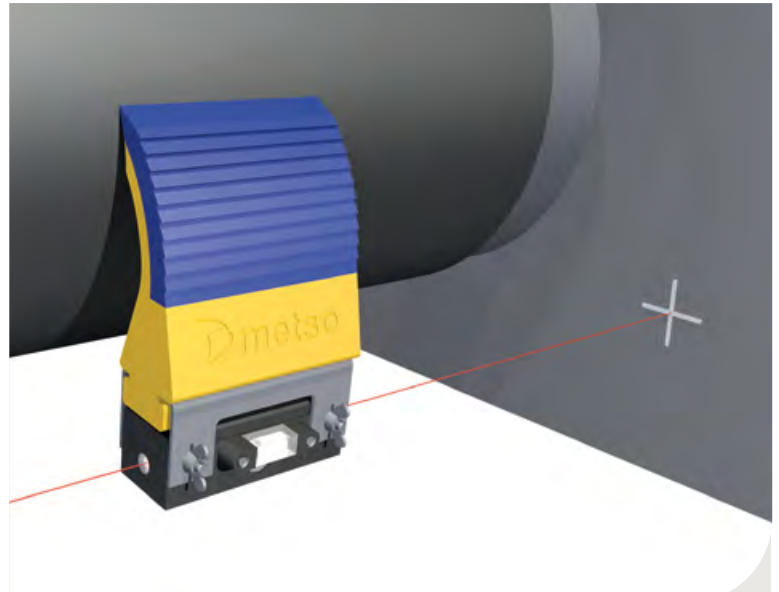
## Technical description

Carrying case size: 240 x 200 x 110 mm

Carrying case  
weight including SIT: 1.6 kg

Weight SIT: 0.75 kg

Size SIT: 150 x 80 x 80 mm



Part No.	Description
MM0366319	Trellex ABC – Tool SIT with case
<b>NEW!</b> MM0465369	SIT T-HMS-HD-L
<b>NEW!</b> MM0465371	SIT ABC-ONE
<b>NEW!</b> MM0465367	SIT HD-L
<b>NEW!</b> MM0465368	SIT HD-XL

SIT helps you maintain the correct scraper position, ensuring that its tip is in contact with the belt (as shown above). Given the correct start position, the scraper will continue to function properly, even as it wears down.

For more details, see the Operator Manual.

\* For correct dimension see manual

# Primary Tensioners

---

Several parameters affect the cleaning efficiency of your conveyors. For example, the contact angle between cleaner and belt, the contact area, and the pressure.

When the primary cleaner blades are kept securely in the correct position, these values remain at an optimal level throughout the wear life of the blades, which significantly enhances the efficiency of your primary cleaning function. Maintenance is minimised, since there is no need re-tension the spring.

Available in several models to suit different applications and types of belt cleaner, Metso tensioners ensure your cleaners stay in place. They are designed with health and safety in mind. For example, springs are enclosed to minimise the risk of operator injury.



## Trellex ABC O-Tensioner



For light- to medium-duty applications. This tensioner is recommended for use with the Trellex ABC-ONE70 and Trellex ABC-ONE90.

The choice of spring is determined by the belt width. Metso's springs are colour-coded (blue, red and yellow) to enable quick identification.

### Material properties

Built of 8 mm galvanised steel, this robust tensioner has a long service life. For operations involving aggressive materials such as salt or fertiliser, stainless steel can be requested.

### Special features

Its compact design and variety of possible positioning options means the O-Tensioner can fit onto almost any kind of conveyor. The spring is encapsulated to protect it from damage, dust and dirt. It is easy to install and maintain, and does not require re-tensioning during the blade's wear life, which saves you time and effort and keeps unscheduled stops down to a minimum. Encapsulation also eliminates the risk of operators injuring their hands in the pinch point.

### Technical description

- For primary cleaners
  - Trellex ABC-ONE70
  - Trellex ABC-ONE90
  - Trellex ABC-LT Cleaner kit
- BW 500-2000
- Standard: Steel (Option: Stainless steel SS)
- Galvanised



## Trellex ABC S-Tensioner



For light- to medium-duty applications. Suitable for use with pre-cleaning cleaner blades, this tensioner provides the right pressure to optimise the belt cleaning function.

This tensioner is recommended for use with all the following cleaners ABC70, ABC90, ABC95, ABC70-HD, ABC90-HD and ABC-HMS.

### Material properties

Built of 8 mm galvanised steel, this robust tensioner has a long service life. Also available in stainless steel, on request.

### Special features

The spring is encapsulated to protect it from damage, dust and dirt. It is easy to install and maintain, and does not require re-tensioning during the blade's wear life, which saves you time and effort and keeps unscheduled stops down to a minimum. Encapsulation also eliminates the risk of operators injuring their hands in the pinch point.

### Technical description

- For primary cleaners
  - Trellex ABC70
  - Trellex ABC90
  - Trellex ABC95
  - Trellex ABC-HMS
  - Trellex ABC70-HD
  - Trellex ABC90-HD
- BW 500-3000
- Standard: Steel (Option: Stainless steel SS)
- Galvanised and powder dip-coated





## Primary Tensioners cont.



### Trellex ABC L-Tensioner



Designed for medium- to heavy-duty applications. For use with our largest and toughest pre-cleaning cleaner blades, this tensioner provides the right pressure to optimise the belt-cleaning function.

#### Material properties

Made of powder dip-coated steel, up to 15 mm thick, this robust tensioner has a very long service life. It can even withstand the impact of heavy rocks bouncing back up from the chute.

#### Special features

The spring and the rotation disk in this tensioner are joined by a wire, which is 5 m as standard but can be much longer if necessary. This means that if your installation point is hard to access, the tensioner can be placed on the service platform at a distance from the rotation point, and it is still easy to adjust the pressure.

A unique, optional feature of this tensioner is the anti-rollback device. Placed on the rotation axis, it prevents the blade from aquaplaning and being pushed away from the belt during wet weather or when the material itself is wet.

#### Technical description

- For primary cleaners  
**Trellex ABC70-HD-L**  
**Trellex ABC90-HD-L**
- BW 600 - 3000
- Standard: Steel  
(Option: Stainless steel SS)
- Powder dip-coated



### Trellex ABC LX-Tensioner



Designed for heavy-duty applications like hard rock mining. This tensioner is used with our giant pre-cleaning cleaner blades to provide the right pressure to optimise the belt-cleaning function.

#### Material properties

Made of powder dip-coated steel, up to 20 mm thick, this robust tensioner has a very long service life. It can even withstand the impact of heavy rocks bouncing back up from the chute.

#### Special features

The spring and the rotation disk in this tensioner are joined by a wire, which is 5 m as standard but can be much longer if necessary. This means that if your installation point is hard to access, the tensioner can be placed on the service platform at a distance from the rotation point, and it is still easy to adjust the pressure.

A unique, optional feature of this tensioner is the anti-rollback device. Placed on the rotation axis, it prevents the blade from aquaplaning and being pushed away from the belt during wet weather or when the material itself is wet.

#### Technical description

- For primary cleaners  
**Trellex ABC90-HD-XL**
- BW 700 - 3300
- Standard: Steel  
(Option: Stainless steel SS)
- Powder dip-coated





# Secondary Tensioners

---

Several parameters affect the cleaning efficiency of your conveyors. For example, the contact angle between cleaner and belt, the contact area, and the pressure.

When the secondary cleaner blades are kept securely in the correct position, these values remain at an optimal level throughout the wear life of the blades, which significantly enhances the efficiency of your secondary cleaning function.

In addition, maintenance is minimised, since the blade-to-belt contact pressure is stable throughout the blade's lifetime and eliminates the need to re-tension the spring.





## Trellex ABC Z-Tensioner



This tensioner works with the secondary cleaners to maintain the correct pressure and thereby optimise your secondary cleaning function.

### Material properties

The standard material is 8 mm galvanised steel, but it is also available in stainless steel on request, for use in more aggressive applications.

### Special features

The Z-Tensioner is a flexible, hardwearing product with a smart, space-saving design.

It includes several features for easy installation and blade changes. For example, a slide-in/slide-out system that makes it quick and easy to replace the blades, and safe for operators. It can be installed inside or outside the conveyor chute and tightened from above or below. The Z-Tensioner's compact design minimises the risk of contact with motor or gearbox, and an encapsulated spring protects from damage, dust and dirt – thereby also reducing maintenance and increasing wear life.

### Technical description

- For Sec-Cleaners
  - Trellex ABC-T-HS RU
  - Trellex ABC-T-HMS RU
  - Trellex ABC-T-HMS PU
- BW 500 - 2000  
BW 24" - 84"
- Standard: Steel/plastic  
(Option: Stainless steel SS)
- Galvanised and powder dip-coated



## Trellex ABC Z-HD-L-Tensioner



The latest innovation in Metso secondary belt cleaning systems is the Trellex ABC Z-HD-L-Tensioner. It works together with the Trellex ABC-T-HMS-HD-L secondary cleaner to provide the right pressure and optimise the secondary cleaning function. Its compact design offers smart features for installation and blade changes – all gathered into one flexible, hardwearing product.

### Material properties

The standard Z-HD-L-Tensioner is powder dip-coated. For operations involving aggressive materials such as salt or fertiliser, stainless steel can be requested.

### Special features

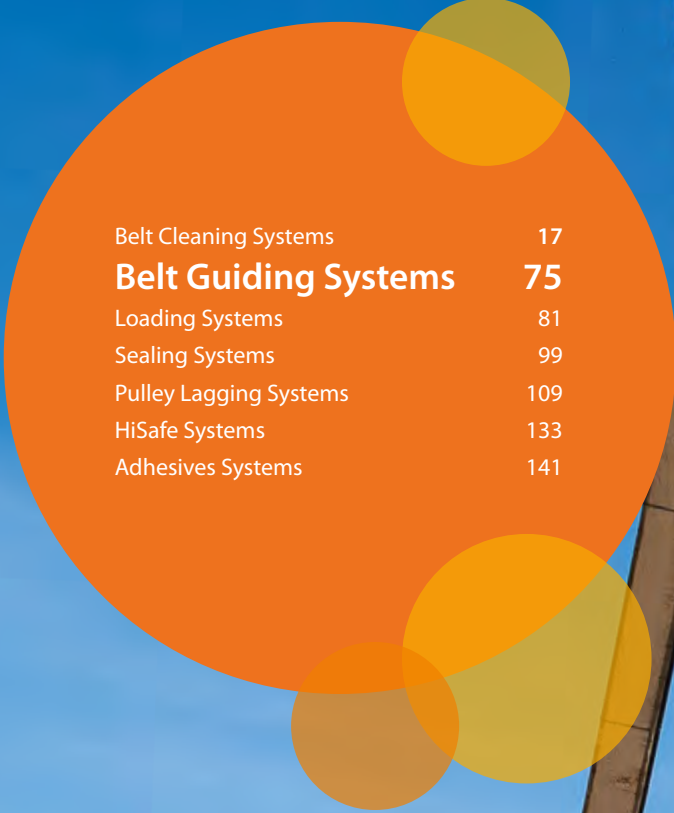
Thanks to its compact design the Z-HD-L-Tensioner can fit onto almost any kind of conveyor. It's easy to install, maintain and re-tension, which saves you time and effort and keeps unscheduled stops down to a minimum.

### Technical description

- For Sec-Cleaners
  - Trellex ABC-T-HMS-HD-L
- BW BW 750 - 3000  
BW 30" - 120"
- Standard: Steel  
(Option: Stainless steel SS)
- Powder dip-coated



# Accessories



Belt Cleaning Systems	17
<b>Belt Guiding Systems</b>	<b>75</b>
Loading Systems	81
Sealing Systems	99
Pulley Lagging Systems	109
HiSafe Systems	133
Adhesives Systems	141



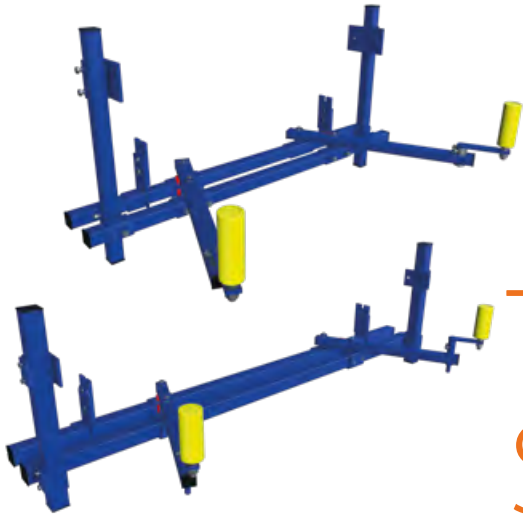


# Belt Guiding Systems

With all the punishment a typical conveyor belt takes – from the elements and continual loading impacts – it is normal for some misalignment to occur. But this problem can easily be prevented. Trellex belt guiding systems offer smart solutions for keeping your belts moving, extending their wear life, protecting the conveyor frame and increasing safety at your site.

Trellex SBC and Trellex SBC-HD	76
Trellex RBC	78





# Trellex SBC and SBC-HD

---

Mounted on the return part of the belt, the Trellex SBC is a simple, robust system that centres the conveyor belt automatically as needed. It performs reliably even in the toughest working conditions, keeping your belt on track and protecting both belt and conveyor from harm. This means fewer costly stops for maintenance or adjustments, fewer staff interventions and hence, a safer, more productive work environment.

#### **Material properties**

The basic construction is of powder-coated steel. Extra PU protection is available as an option to further extend the rollers' wear life. High-quality bronze bushings are used in the pivot points to ensure optimal belt guidance. For easy maintenance, we also offer an optional central lubrication kit along with this product.

#### **Special features**

Ultra-sensitive mistracking detection and fast response make the Trellex SBC and SBC HD a very high-performance belt guiding system. The guide rollers are easy to install and replace, and the whole system can be adjusted to various belt widths and types.

## Technical description

**Construction material:** Steel, S235JRG2

**Surface treatment:** Powder-coated blue RAL 5005

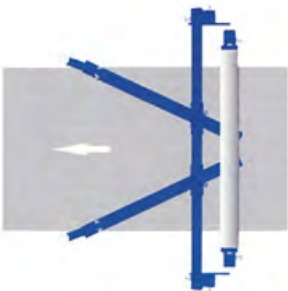
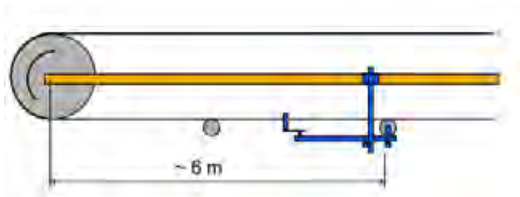
## Installation

SBC

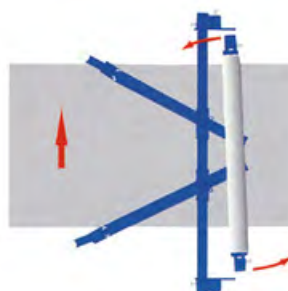
**Belt speed:** <2,5 m/s

SBC-HD

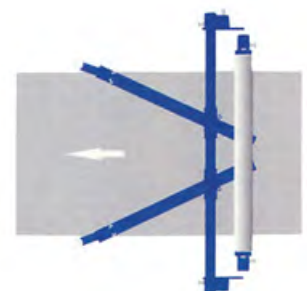
**Belt speed:** < 4 m/s



Belt is running normal without mistracking.

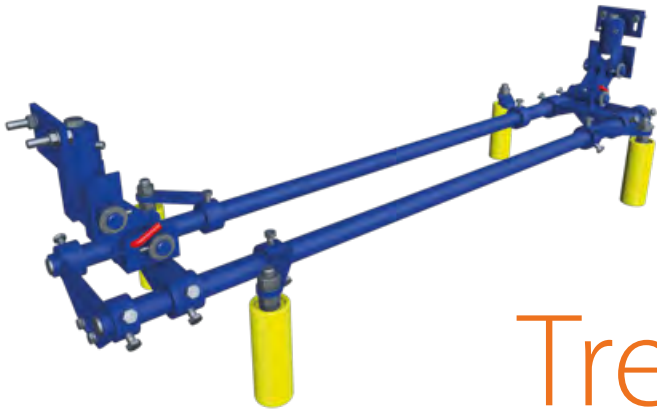


Belt starts to mistrack. Guide rollers are mounted to control arms which sense lateral movement of the belt and adjust the steering roller. Mistracking is automatically corrected by a minor adjustment of the steering roller angle.  
"A belt moves toward the side that first hits the steering roller"



The belt conductor has guided the belt back on track.

Part No.	Description	Weight (kg)
43272700	TRELLEX SBC SET BW450-1200	53
MM0361444	TRELLEX SBC SET BW1400-1600	56
MM0393914	TRELLEX SBC-HD SET BW450-2400 WITHOUT SQUARE SHAFTS	66
43272760	TRELLEX SBC-HD SET BW450-2400 WITH SQUARE SHAFTS	169
43272718	TRELLEX SBC/RBC GUIDE ROLLER SLEEVE (OPTIONAL)	0,4
43272710	TRELLEX SBC/RBC GUIDE ROLLER (INCLUDED IN SET)	2,3
43272778	TRELLEX SBC-HD GUIDE ROLLER SLEEVE (OPTIONAL)	0,9
43272770	TRELLEX SBC-HD GUIDE ROLLER (INCLUDED IN SET)	3
43272730	TRELLEX SBC/RBC LUBRICATING KIT (OPTIONAL - RECOMMENDED)	



# Trellex RBC

---

The greatest risk of belt misalignment is with reversible conveyors. Trellex RBC is an elegant solution to this problem. Mounted on top of the belt on the return side, its edge rollers detect the slightest deviation from the ideal belt path and guide it back on track automatically, regardless of which direction the belt is travelling.

#### **Material properties**

The basic construction is of powder-coated steel. Extra PU protection is available as an option to further extend the rollers' wear life. High-quality bushings are used in the pivot points to ensure optimal belt guidance. For easy maintenance, we also offer an optional central lubrication kit along with this product.

#### **Special features**

Thanks to ultra-sensitive mistracking detection with fast response, Trellex RBC is a very smart way to minimise maintenance and spillage clean-up costs, and to prevent costly damage to your conveyor belt and frame. The guide rollers are easy to install and replace, and the whole system can be adjusted to various belt widths and types.



## Technical description

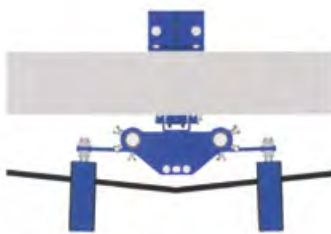
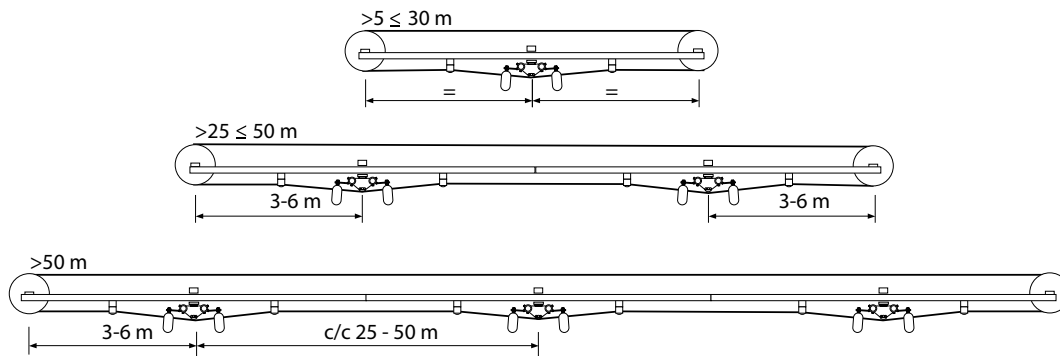
Construction material: Steel, S235JRG2

Surface treatment: Powder-coated blue RAL 5005

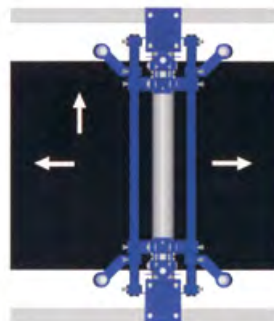
## Installation

RBC

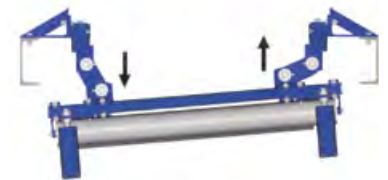
Belt speed: <2,5 m/s



Belt is running normal without mistracking.



Belt starts to mistrack. Guide rollers are mounted to control arms which sense lateral movement of the belt and adjust the steering roller. Mistracking is automatically corrected by a minor adjustment of the steering roller angle. "A belt moves toward the side that first hits the steering roller"



The belt conductor has guided the belt back on track.

Part No.	Description	Weight (kg)
43272740	TRELLEX RBC SET BW450-1200	53
MM0361453	TRELLEX RBC SET BW1400-1600	56
43272718	TRELLEX SBC/RBC GUIDE ROLLER SLEEVE (OPTIONAL)	0,4
43272710	TRELLEX SBC/RBC GUIDE ROLLER (INCLUDED IN SET)	2,3
43272730	TRELLEX SBC/RBC LUBRICATING KIT (OPTIONAL - RECOMMENDED)	

# Accessories

Belt Cleaning Systems	17
Belt Guiding Systems	75
<b>Loading Systems</b>	<b>81</b>
Sealing Systems	99
Pulley Lagging Systems	109
HiSafe System	133
Adhesives	141







# Loading Systems

In any mining or aggregate operation, the conveyor belts, frames and rollers are subject to relentless forces and impacts, day after day. Although these vary in accordance with parameters like drop height, the type of material and fragment size, no conveyor remains unaffected.

A Metso loading system keeps your conveyor safe. Consisting of a cradle and impact bars placed at the transfer or loading point, often between two conveyors – it protects your valuable equipment from impact damage when material is being transferred. Without such a system, constant wear and tear would crush the belt, break the rollers, crack the frame, and significantly increase your costs.

Our loading protection is one of the most advanced and dependable available on the market today. Find out more about how Metso can help you protect your equipment investments, and keep your conveyors moving.

<b>Selection Guide Impact Cradle</b>	<b>82</b>
<b>Trellex Impact Bar</b>	<b>84</b>
<b>Trellex Impact Cradle</b>	<b>86</b>
<b>Trellex Glidebar</b>	<b>96</b>
<b>Trellex Glidebar Cradle</b>	<b>97</b>



# Selection Guide

## - Impact Cradle

Light, medium or heavy?  
Always use Trellex IC for correct design.

### Impact Cradle calculation tool

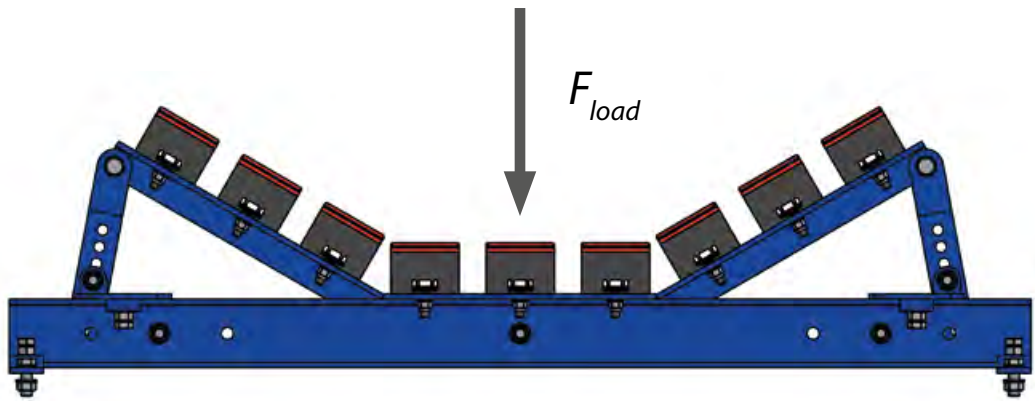
To avoid buying a product that is not strong enough to withstand the impact of your operations, **we recommend you use our impact calculation tool**. Armed with the results, you can confidently choose a loading solution that is correctly designed to protect your equipment investments and keep your conveyors moving. The program actually provides you with two options, based on the information you input about your conveyors. Our impact cradles are divided into three categories (L, M and H) depending on the load classes (see table below).

#### Loading rates impact cradles

Category	Description	Max impact force	Height of impact bars (mm)
L	Light duty	<35000 N	50
M	Medium duty	<50000 N	75
H	Heavy duty	<75000 N	75

#### The following assumptions and dimensioning are used in all calculations:

- The full load is distributed onto the steel beam as a point load in the centre.
- The energy absorption from the belt, impact bars and the conveyor structure are the safety factor.
- No permanent deformation.
- UPE steel beam for given loads and versions with regards to steel properties for the UPE profile.
- Material S355N/M (EN 10025-3/4:2004), tolerances EN10279.



## Trellex Impact Calculator



### Output from the calculation tool

Below you can see the output or 'result sheet' from using our calculation tool. It includes all the data required for ordering a Metso product.

#### Required data:

- Customer and supplier information
- Belt width
- Length of impact zone
- Belt speed
- Maximum drop height
- Material flow
- Maximum lump weight (or material density) and largest lump size





# Trellex Impact Bar

---

Designed for use with a Trellex Impact Cradle, the impact bar was first invented by Metso about 30 years ago and is still a very popular product. Although many other companies have created their own models, Metso sets the standard and still offers the most reliable way to protect conveyors from impact damage. No other product matches ours in terms of performance and durability, and no more recent invention has rendered the impact bar obsolete.

## **Material properties**

There are several good reasons to choose impact bars from Metso, the inventors of loading zone protectors. They begin with the choice of material. Our bars are made of high-grade polyethylene, which lowers friction and gives a good wear life; a special rubber compound engineered for absorbing impact; and a reinforced aluminium profile that is a full 71% stronger than earlier models.

## **Special features**

Equally important is the method used for joining the materials together. Strong bonding techniques ensure that the impact bars stay intact over time. Moreover, the aluminium is vulcanised to the rubber making the bars easy to fasten with T-bolts. This product has the additional advantage of helping to support the conveyor belt around the sealing systems. And the absence of moving parts reduces the risk of pinching accidents, as well as making the system virtually maintenance-free.

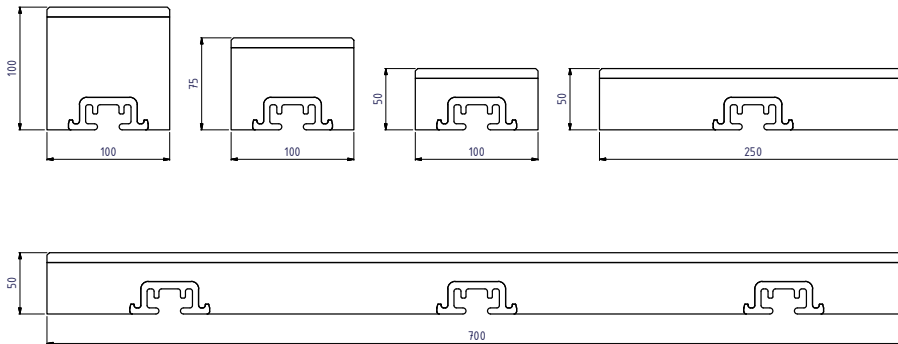
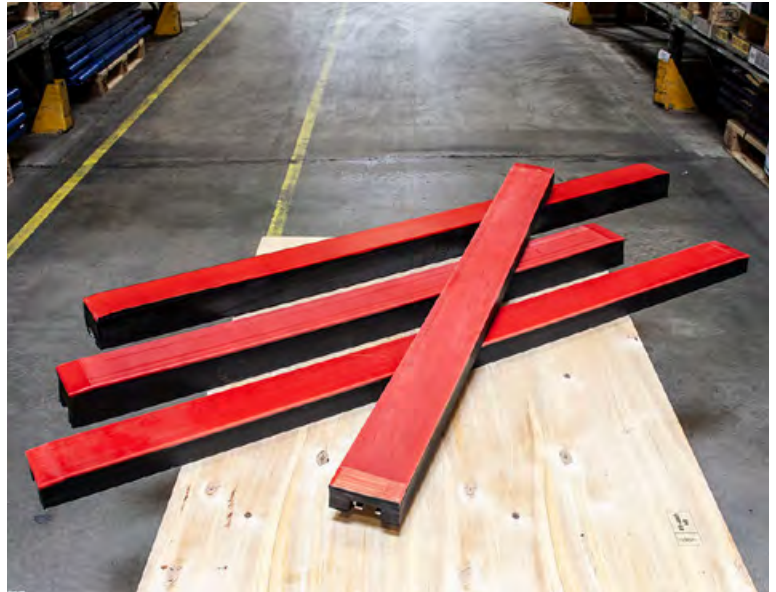


## Technical description

**Material:** Impact-absorbing rubber 57 Shore A UHMWPE 1000 red

**Fastening rail:** Aluminium

**T-bolt:** TF35/25 M12x40/35 mm



T-bolt, washer and nut

Part No.	Description	Height (mm)	Width (mm)	Length (mm)	Weight (kg)
1554150	TRELLEX IMPACT BAR 50X100X1220	50	100	1220	6.7
431554150	TRELLEX IMPACT BAR 50X100X1220 W/ FASTENING	50	100	1220	7.0
1554155	TRELLEX IMPACT BAR 50X100X1520	50	100	1520	8.4
431554155	TRELLEX IMPACT BAR 50X100X1520 W/ FASTENING	50	100	1520	8.8
1438590	TRELLEX IMPACT BAR 75X100X1220	75	100	1220	9.5
431438590	TRELLEX IMPACT BAR 75X100X1220 W/ FASTENING	75	100	1220	9.8
1438595	TRELLEX IMPACT BAR 75X100X1520	75	100	1520	11.9
431438595	TRELLEX IMPACT BAR 75X100X1520 W/ FASTENING	75	100	1520	12.3
<b>NEW!</b> MM0434266	TRELLEX IMPACT BAR 100X100X1220	100	100	1220	13,4
<b>NEW!</b> MM0433087	TRELLEX IMPACT BAR 100X100X1220 W/FASTENING	100	100	1220	13,7
1554154	TRELLEX IMPACT BAR 50X250X1220	50	250	1220	15.1
431554154	TRELLEX IMPACT BAR 50X250X1220 W/ FASTENING	50	250	1220	15.4
1554153	TRELLEX IMPACT BAR 50X700X1220	50	700	1220	42.5
431554153	TRELLEX IMPACT BAR 50X700X1220 W/ FASTENING	50	700	1220	43.4
1554240	T-BOLT M12				
00921305012S	WASHER				
704203927120	NUT				



**Light, medium  
or heavy?**

Always use Trellex IC  
for correct design.

# Trellex Impact Cradle

Used in conjunction with Trellex Impact Bars, Trellex Impact Cradles give your loading zone long-lasting support and protection. Custom-built using modular standard components, each cradle we supply is designed to fit the precise specifications of your individual conveyor. This gives you the best of all worlds – a cradle that matches your exact requirements, yet is cost-effective.

#### **Material properties**

Our cradles are made out of a strong steel mounting that's tough enough to withstand high impact forces (see chart on page 83). They are angled to stabilise the belt and maximise the Sealing system's performance.

#### **Special features**

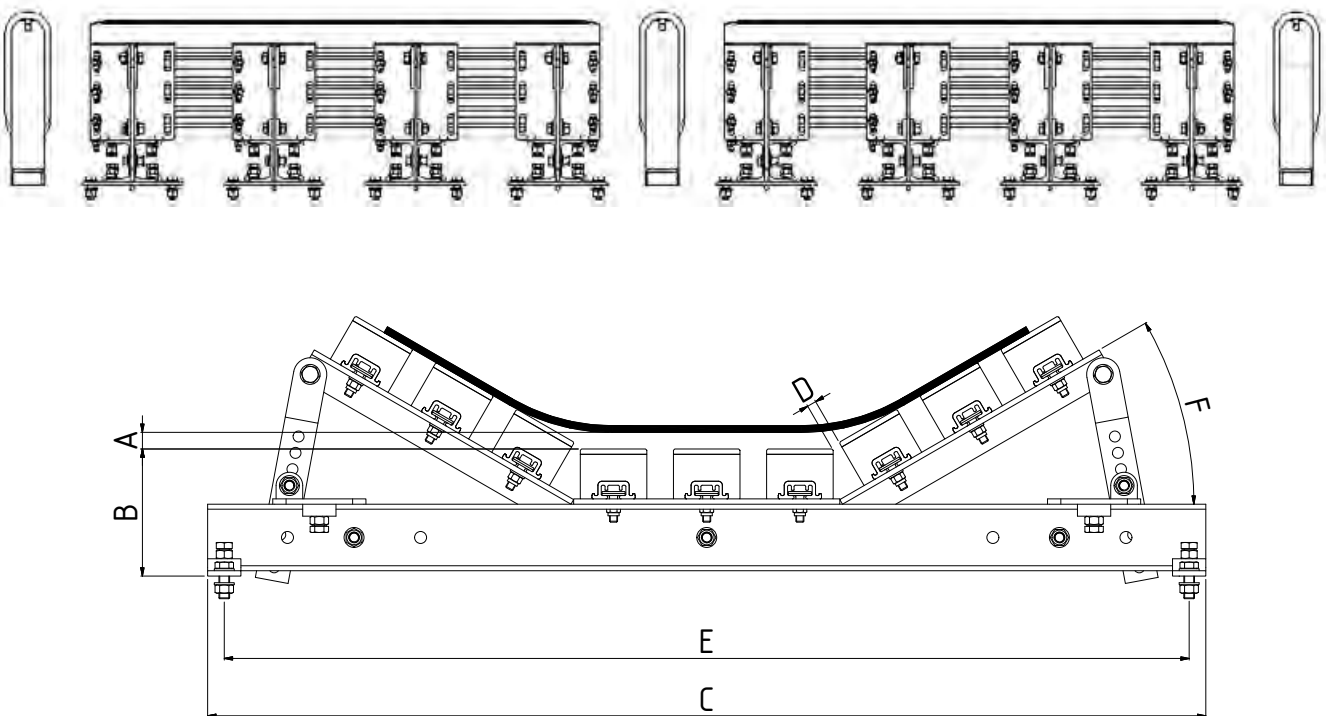
The absence of moving parts effectively eliminates the most common problem of conventional idlers, i.e. seized rollers. The consequent increase in reliability reduces your costs and raises your productivity. Installation and maintenance are easy since our cradles can be slid in and out of position, reducing the typical replacement time from 3 hours to 30 minutes. This not only lowers costs but also reduces the risk of operator injuries.

## Technical description

**Construction material:** Steel, S235JRG2 & S355N/M  
**Surface treatment:** Powder-coated blue RAL5005



For multiple impact cradle applications, install an impact idler in between



Description	A Distance between bars in the centre and normal unloaded line of the belt (mm)	B Backing height (mm)	C Max BW500- 1000 (mm)	C Max BW1200- 1600 (mm)	C Max BW1800- 2000 (mm)	D (mm)	E min (mm)	E max (mm)	F min (°)	F max (°)
TRELLEX IMPACT CRADLE <b>LIGHT (L)</b>	25	142	1500	2000	2500	5-15	50	C max-50	5	50
TRELLEX IMPACT CRADLE <b>MEDIUM (M)</b>	25	191	1500	2000	2500	5-15	50	C max-50	5	50
TRELLEX IMPACT CRADLE <b>HEAVY (H)</b>	25	231	1500	2000	2500	5-15	50	C max-50	5	50





Light, medium  
or heavy?

Always use Trellex IC  
for correct design.

# Trellex Impact Cradle

Continued from previous page

## Trellex Impact Cradle with Impact Bars 1220(4') LIGHT

Part No.	Description	Belt width (inch)	Belt width (mm)	No. of Impact Bars	Weight (lbs)	Weight (kg)	Drawing No.
<b>MM0436212</b>	TRELLEX CRADLE BW500/650(24"/30") W/IMP1220(4') L	24/30	500/650	6	450	204	487140-154
<b>MM0436213</b>	TRELLEX CRADLE BW800(36") W/IMP1220(4') L	36	800	7	472	214	487140-155
<b>MM0436214</b>	TRELLEX CRADLE BW1000(42") W/IMP1220(4') L	42	1000	9	525	238	487140-156
<b>MM0436215</b>	TRELLEX CRADLE BW1200(48") W/IMP1220(4') L	48	1200	10	626	284	487140-157
<b>MM0436216</b>	TRELLEX CRADLE BW54" W/IMP1220(4') L	54	-	12	681	309	487140-158
<b>MM0436217</b>	TRELLEX CRADLE BW1400(60") W/IMP1220(4') L	60	1400	13	699	317	487140-159
<b>MM0436218</b>	TRELLEX CRADLE BW1600(66") W/IMP1220(4') L	66	1600	15	752	341	487140-160
<b>MM0436219</b>	TRELLEX CRADLE BW1800(72") W/IMP1220(4') L	72	1800	16	860	390	487140-161
<b>MM0436220</b>	TRELLEX CRADLE BW2000(84") W/IMP1220(4') L	84	2000	18	913	414	487140-162

## Trellex Impact Cradle with Impact Bars 1520(5') LIGHT

Part No.	Description	Belt width (inch)	Belt width (mm)	No. of Impact Bars	Weight (lbs)	Weight (kg)	Drawing No.
<b>MM0436221</b>	TRELLEX CRADLE BW500/650(24"/30") W/IMP1520(5') L	24/30	500/650	6	560	254	487140-172
<b>MM0436222</b>	TRELLEX CRADLE BW800(36") W/IMP1520(5') L	36	800	7	589	267	487140-173
<b>MM0436223</b>	TRELLEX CRADLE BW1000(42") W/IMP1520(5') L	42	1000	9	657	298	487140-174
<b>MM0436224</b>	TRELLEX CRADLE BW1200(48") W/IMP1520(5') L	48	1200	10	783	355	487140-175
<b>MM0436225</b>	TRELLEX CRADLE BW54" W/IMP1520(5') L	54	-	12	851	386	487140-176
<b>MM0436226</b>	TRELLEX CRADLE BW1400(60") W/IMP1520(5') L	60	1400	13	873	396	487140-177
<b>MM0436227</b>	TRELLEX CRADLE BW1600(66") W/IMP1520(5') L	66	1600	15	937	425	487140-178
<b>MM0436228</b>	TRELLEX CRADLE BW1800(72") W/IMP1520(5') L	72	1800	16	1074	487	487140-179
<b>MM0436229</b>	TRELLEX CRADLE BW2000(84") W/IMP1520(5') L	84	2000	18	1142	518	487140-180

## Technical description

**Construction material:** Steel, S235JRG2 & S355N/M  
**Surface treatment:** Powder-coated blue RAL5005



### Trellex Impact Cradle with Impact Bars 1220(4') MEDIUM



Part No.	Description	Belt width (inch)	Belt width (mm)	No. of Impact Bars	Weight (lbs)	Weight (kg)	Drawing No.
MM0436230	TRELLEX CRADLE BW500/650(24"/30") W/IMP1220(4') M	24/30	500/650	6	608	276	487140-110
MM0436231	TRELLEX CRADLE BW800(36") W/IMP1220(4') M	36	800	7	635	288	487140-114
MM0436232	TRELLEX CRADLE BW1000(42") W/IMP1220(4') M	42	1000	9	716	325	487140-118
MM0436233	TRELLEX CRADLE BW1200(48") W/IMP1220(4') M	48	1200	10	851	386	487140-122
MM0436234	TRELLEX CRADLE BW54" W/IMP1220(4') M	54	-	12	922	418	487140-126
MM0436235	TRELLEX CRADLE BW1400(60") W/IMP1220(4') M	60	1400	13	948	430	487140-130
MM0436236	TRELLEX CRADLE BW1600(66") W/IMP1220(4') M	66	1600	15	1019	462	487140-134
MM0436237	TRELLEX CRADLE BW1800(72") W/IMP1220(4') M	72	1800	16	1164	528	487140-138
MM0436238	TRELLEX CRADLE BW2000(84") W/IMP1220(4') M	84	2000	18	1241	563	487140-142

### Trellex Impact Cradle with Impact Bars 1520(5') MEDIUM



Part No.	Description	Belt width (inch)	Belt width (mm)	No. of Impact Bars	Weight (lbs)	Weight (kg)	Drawing No.
MM0436239	TRELLEX CRADLE BW500/650(24"/30") W/IMP1520(5') M	24/30	500/650	6	758	344	487140-112
MM0436240	TRELLEX CRADLE BW800(36") W/IMP1520(5') M	36	800	7	791	359	487140-116
MM0436241	TRELLEX CRADLE BW1000(42") W/IMP1520(5') M	42	1000	9	897	407	487140-120
MM0436242	TRELLEX CRADLE BW1200(48") W/IMP1520(5') M	48	1200	10	1063	482	487140-124
MM0436243	TRELLEX CRADLE BW54" W/IMP1520(5') M	54	-	12	1151	522	487140-128
MM0436244	TRELLEX CRADLE BW1400(60") W/IMP1520(5') M	60	1400	13	1184	537	487140-132
MM0436245	TRELLEX CRADLE BW1600(66") W/IMP1520(5') M	66	1600	15	1274	578	487140-136
MM0436246	TRELLEX CRADLE BW1800(72") W/IMP1520(5') M	72	1800	16	1453	659	487140-140
MM0436247	TRELLEX CRADLE BW2000(84") W/IMP1520(5') M	84	2000	18	1550	703	487140-144





Light, medium  
or heavy?

Always use Trellex IC  
for correct design.

# Trellex Impact Cradle

Continued from previous page

## Trellex Impact Cradle with Impact Bars 1220(4') HEAVY



Part No.	Description	Belt width (inch)	Belt width (mm)	No. of Impact Bars	Weight (lbs)	Weight (kg)	Drawing No.
MM0436248	TRELLEX CRADLE BW500/650(24"/30") W/IMP1220(4') H	24/30	500/650	6	756	343	487140-199
MM0436249	TRELLEX CRADLE BW800(36") W/IMP1220(4') H	36	800	7	789	358	487140-200
MM0436250	TRELLEX CRADLE BW1000(42") W/IMP1220(4') H	42	1000	9	871	395	487140-201
MM0436251	TRELLEX CRADLE BW1200(48") W/IMP1220(4') H	48	1200	10	1052	477	487140-202
MM0436252	TRELLEX CRADLE BW54" W/IMP1220(4') H	54	-	12	1131	513	487140-203
MM0436253	TRELLEX CRADLE BW1400(60") W/IMP1220(4') H	60	1400	13	1157	525	487140-204
MM0436254	TRELLEX CRADLE BW1600(66") W/IMP1220(4') H	66	1600	15	1232	559	487140-205
MM0436255	TRELLEX CRADLE BW1800(72") W/IMP1220(4') H	72	1800	16	1424	646	487140-206
MM0436256	TRELLEX CRADLE BW2000(84") W/IMP1220(4') H	84	2000	18	1506	683	487140-207

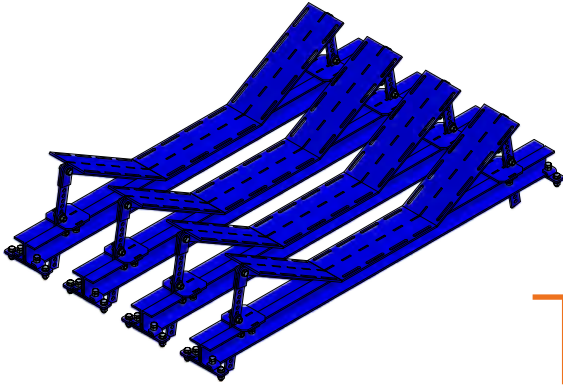
## Trellex Impact Cradle with Impact Bars 1520(5') HEAVY



Part No.	Description	Belt width (inch)	Belt width (mm)	No. of Impact Bars	Weight (lbs)	Weight (kg)	Drawing No.
MM0436257	TRELLEX CRADLE BW500/650(24"/30") W/IMP1520(5') H	24/30	500/650	6	944	428	487140-208
MM0436258	TRELLEX CRADLE BW800(36") W/IMP1520(5') H	36	800	7	985	447	487140-209
MM0436259	TRELLEX CRADLE BW1000(42") W/IMP1520(5') H	42	1000	9	1087	493	487140-210
MM0436260	TRELLEX CRADLE BW1200(48") W/IMP1520(5') H	48	1200	10	1312	595	487140-211
MM0436261	TRELLEX CRADLE BW54" W/IMP1520(5') H	54	-	12	1413	641	487140-212
MM0436262	TRELLEX CRADLE BW1400(60") W/IMP1520(5') H	60	1400	13	1446	656	487140-213
MM0436263	TRELLEX CRADLE BW1600(66") W/IMP1520(5') H	66	1600	15	1539	698	487140-214
MM0436264	TRELLEX CRADLE BW1800(72") W/IMP1520(5') H	72	1800	16	1779	807	487140-215
MM0436265	TRELLEX CRADLE BW2000(84") W/IMP1520(5') H	84	2000	18	1881	853	487140-216







Light, medium  
or heavy?

Always use Trellex IC  
for correct design.

# Trellex Impact Cradle

Continued from previous page

## Trellex Impact Cradle 1220(4') LIGHT

Part No.	Description	Belt width (inch)	Belt width (mm)	No. of Impact Bars	Weight (lbs)	Weight (kg)	Drawing No.
<b>MM0436296</b>	TRELLEX CRADLE BW500/650(24"/30") - 1220(4') L	24/30	500/650	6	355	161	487140-145
<b>MM0436297</b>	TRELLEX CRADLE BW800(36") - 1220(4') L	36	800	7	362	164	487140-146
<b>MM0436298</b>	TRELLEX CRADLE BW1000(42") - 1220(4') L	42	1000	9	384	174	487140-147
<b>MM0436299</b>	TRELLEX CRADLE BW1200(48") - 1220(4') L	48	1200	10	470	213	487140-148
<b>MM0436300</b>	TRELLEX CRADLE BW54" - 1220(4') L	54	-	12	494	224	487140-149
<b>MM0436301</b>	TRELLEX CRADLE BW1400(60") - 1220(4') L	60	1400	13	496	225	487140-150
<b>MM0436302</b>	TRELLEX CRADLE BW1600(66") - 1220(4') L	66	1600	15	516	234	487140-151
<b>MM0436303</b>	TRELLEX CRADLE BW1800(72") - 1220(4') L	72	1800	16	608	276	487140-152
<b>MM0436304</b>	TRELLEX CRADLE BW2000(84") - 1220(4') L	84	2000	18	631	286	487140-153

## Trellex Impact cradle 1520(5') LIGHT

Part No.	Description	Belt width (inch)	Belt width (mm)	No. of Impact Bars	Weight (lbs)	Weight (kg)	Drawing No.
<b>MM0436307</b>	TRELLEX CRADLE BW500/650(24"/30") - 1520(5') L	24/30	500/650	6	443	201	487140-163
<b>MM0436308</b>	TRELLEX CRADLE BW800(36") - 1520(5') L	36	800	7	452	205	487140-164
<b>MM0436309</b>	TRELLEX CRADLE BW1000(42") - 1520(5') L	42	1000	9	481	218	487140-165
<b>MM0436310</b>	TRELLEX CRADLE BW1200(48") - 1520(5') L	48	1200	10	586	266	487140-166
<b>MM0436311</b>	TRELLEX CRADLE BW54" - 1520(5') L	54	-	12	617	280	487140-167
<b>MM0436312</b>	TRELLEX CRADLE BW1400(60") - 1520(5') L	60	1400	13	619	281	487140-168
<b>MM0436313</b>	TRELLEX CRADLE BW1600(66") - 1520(5') L	66	1600	15	644	292	487140-169
<b>MM0436314</b>	TRELLEX CRADLE BW1800(72") - 1520(5') L	72	1800	16	761	345	487140-170
<b>MM0436315</b>	TRELLEX CRADLE BW2000(84") - 1520(5') L	84	2000	18	789	358	487140-171

## Technical description

**Construction material:** Steel, S235JRG2 & S355N/M  
**Surface treatment:** Powder-coated blue RAL5005



### Trellex Impact Cradle 1220(4') MEDIUM



Part No.	Description	Belt width (inch)	Belt width (mm)	No. of Impact Bars	Weight (lbs)	Weight (kg)	Drawing No.
<b>MM0436316</b>	TRELLEX CRADLE BW500/650(24"/30") - 1220 M	24/30	500/650	6	476	216	487140-109
<b>MM0436317</b>	TRELLEX CRADLE BW800(36") - 1220 M	36	800	7	481	218	487140-113
<b>MM0436318</b>	TRELLEX CRADLE BW1000(42") - 1220 M	42	1000	9	520	236	487140-117
<b>MM0436319</b>	TRELLEX CRADLE BW1200(48") - 1220 M	48	1200	10	631	286	487140-121
<b>MM0436320</b>	TRELLEX CRADLE BW54" - 1220 M	54	-	12	659	299	487140-125
<b>MM0436321</b>	TRELLEX CRADLE BW1400(60") - 1220 M	60	1400	13	664	301	487140-129
<b>MM0436322</b>	TRELLEX CRADLE BW1600(66") - 1220 M	66	1600	15	690	313	487140-133
<b>MM0436323</b>	TRELLEX CRADLE BW1800(72") - 1220 M	72	1800	16	813	369	487140-137
<b>MM0436324</b>	TRELLEX CRADLE BW2000(84") - 1220 M	84	2000	18	847	384	487140-141

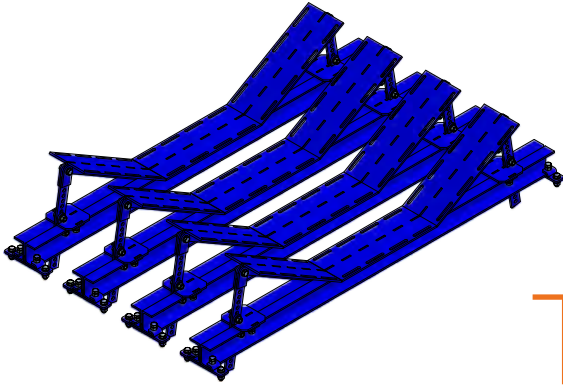
### Trellex Impact Cradle 1520(5') MEDIUM



Part No.	Description	Belt width (inch)	Belt width (mm)	No. of Impact Bars	Weight (lbs)	Weight (kg)	Drawing No.
<b>MM0436325</b>	TRELLEX CRADLE BW500/650(24"/30") - 1520 M	24/30	500/650	6	595	270	487140-111
<b>MM0436326</b>	TRELLEX CRADLE BW800(36") - 1520 M	36	800	7	600	272	487140-115
<b>MM0436327</b>	TRELLEX CRADLE BW1000(42") - 1520 M	42	1000	9	650	295	487140-119
<b>MM0436328</b>	TRELLEX CRADLE BW1200(48") - 1520 M	48	1200	10	789	358	487140-123
<b>MM0436329</b>	TRELLEX CRADLE BW54" - 1520 M	54	-	12	822	373	487140-127
<b>MM0436330</b>	TRELLEX CRADLE BW1400(60") - 1520 M	60	1400	13	829	376	487140-131
<b>MM0436331</b>	TRELLEX CRADLE BW1600(66") - 1520 M	66	1600	15	864	392	487140-135
<b>MM0436332</b>	TRELLEX CRADLE BW1800(72") - 1520 M	72	1800	16	1016	461	487140-139
<b>MM0436333</b>	TRELLEX CRADLE BW2000(84") - 1520 M	84	2000	18	1058	480	487140-143







Light, medium  
or heavy?

Always use Trellex IC  
for correct design.

# Trellex Impact Cradle

Continued from previous page

## Trellex Impact Cradle 1220(4') HEAVY

Part No.	Description	Belt width (inch)	Belt width (mm)	No. of Impact Bars	Weight (lbs)	Weight (kg)	Drawing No.
<b>MM0436334</b>	TRELLEX CRADLE BW500/650(24"/30") - 1220 H	24/30	500/650	6	624	283	487140-181
<b>MM0436335</b>	TRELLEX CRADLE BW800(36") - 1220 H	36	800	7	635	288	487140-182
<b>MM0436336</b>	TRELLEX CRADLE BW1000(42") - 1220 H	42	1000	9	672	305	487140-183
<b>MM0436337</b>	TRELLEX CRADLE BW1200(48") - 1220 H	48	1200	10	831	377	487140-184
<b>MM0436338</b>	TRELLEX CRADLE BW54" - 1220 H	54	-	12	869	394	487140-185
<b>MM0436339</b>	TRELLEX CRADLE BW1400(60") - 1220 H	60	1400	13	873	396	487140-186
<b>MM0436340</b>	TRELLEX CRADLE BW1600(66") - 1220 H	66	1600	15	904	410	487140-187
<b>MM0436341</b>	TRELLEX CRADLE BW1800(72") - 1220 H	72	1800	16	1074	487	487140-188
<b>MM0436342</b>	TRELLEX CRADLE BW2000(84") - 1220 H	84	2000	18	1111	504	487140-189

## Trellex Impact Cradle 1520(5') HEAVY

Part No.	Description	Belt width (inch)	Belt Width (mm)	No. of Impact Bars	Weight (lbs)	Weight (kg)	Drawing No.
<b>MM0436343</b>	TRELLEX CRADLE BW500/650(24"/30") - 1520 H	24/30	500/650	6	780	354	487140-190
<b>MM0436344</b>	TRELLEX CRADLE BW800(36") - 1520 H	36	800	7	794	360	487140-191
<b>MM0436345</b>	TRELLEX CRADLE BW1000(42") - 1520 H	42	1000	9	840	381	487140-192
<b>MM0436346</b>	TRELLEX CRADLE BW1200(48") - 1520 H	48	1200	10	1038	471	487140-193
<b>MM0436347</b>	TRELLEX CRADLE BW54" - 1520 H	54	-	12	1085	492	487140-194
<b>MM0436348</b>	TRELLEX CRADLE BW1400(60") - 1520 H	60	1400	13	1091	495	487140-195
<b>MM0436349</b>	TRELLEX CRADLE BW1600(66") - 1520 H	66	1600	15	1131	513	487140-196
<b>MM0436350</b>	TRELLEX CRADLE BW1800(72") - 1520 H	72	1800	16	1343	609	487140-197
<b>MM0436351</b>	TRELLEX CRADLE BW2000(84") - 1520 H	84	2000	18	1389	630	487140-198





# Trellex Glide Bar

---

Trellex Glide Bars create a sealed surface against the conveyor belt, but being made partly of rubber, they also help absorb impacts. Designed for use on the troughed sides of the conveyor belt, Trellex Glide Bars support the edge of the belt and prevent sagging between the rollers, giving an even surface to seal against. Together with our Trellex Sealing Systems, they do an efficient job of preventing dust and material spillage.

#### **Material properties**

They consist of sandwiched polyethylene and rubber, bonded with a vulcanised aluminium profile for easy fixing with T-bolts. The yellow top layer is made of ultra-high molecular weight polyethylene, which has low friction and good wear resistance. The rubber material beneath it can absorb some energy, which helps protect the conveyor belt and equipment from damage.

#### **Special features**

Trellex Glide Bars can be combined with Trellex Impact Bars on a cradle in the loading zone, or in lighter-weight applications on a formed plate that replaces the outer troughing rollers. A third option – called the Trellex Glide Bar Cradle – is a special support where the angle, width and height are all adjustable.



## Technical description

**Material:** Impact-absorbing rubber 57 Shore A UHMWPE 1000 yellow

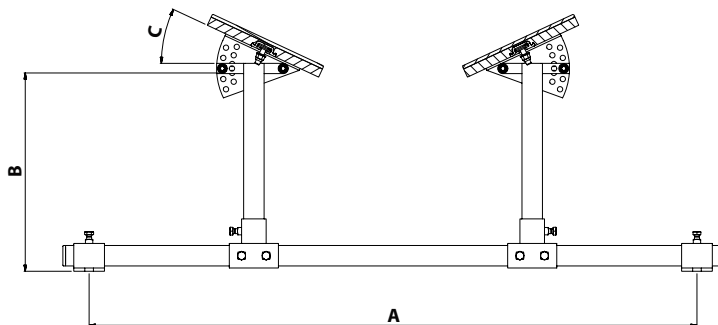
**Fastening rail:** Aluminium

**T-bolt:** TF35/25 M12 x 40/35 mm



# Trellex Glide Bar Cradle

Description	Max width A (mm)	Max height B (mm)	Min height B (mm)	Max angle C (degrees)
GLIDE BAR CRADLE	1525	485	130	45



Part no.	Description	Height (mm)	Width (mm)	Length (mm)	Weight (kg)
2069350	TRELLEX GLIDE BAR 30X200X1120	30	200	1120	7.2
432069350	TRELLEX GLIDE BAR 30X200X1120 W/ FASTENING	30	200	1120	7.6
2069360	TRELLEX GLIDE BAR 30X300X1120	30	300	1120	10.4
432069360	TRELLEX GLIDE BAR 30X300X1120 W/ FASTENING	30	300	1120	10.8
43271700	TRELLEX CRADLE FOR GLIDEBARS SET BW500-1200				40.6
MM0438744	TRELLEX CRADLE FOR GLIDEBARS SET BW500-1200 W-GLIDEBAR 300				62.2
MM0438745	TRELLEX CRADLE FOR GLIDEBARS SET BW500-1200 W-GLIDEBAR 200				55.8
1554240	T-BOLT				
009213050125	WASHER				
704203927120	NUT				

# Accessories



Belt Cleaning Systems	17
Belt Guiding Systems	75
Loading Systems	81
<b>Sealing Systems</b>	<b>99</b>
Pulley Lagging Systems	109
HiSafe System	133
Adhesives	141



# Sealing Systems

Designed to safely seal the area where the chute meets the conveyor, Metso's sealing systems prevent dust or material spillage. There are several obvious advantages to using a well-designed Sealing System. It prevents waste of product, and protects your equipment from damage. And most importantly of all, it prevents dust escaping into the atmosphere thereby protecting the health of your operators.

In contrast with certain low-cost sealing solutions, Metso's systems are made using a specially developed material, which is softer than that of the conveyor belt. This prevents grooves forming in the belt over an extended period of operation. Instead of the belt material being worn down, the material in our sealing system is gradually and safely consumed over an extended period of operation.

<b>Trellex Snap-On</b>	<b>100</b>
<b>Trellex Clamp-On</b>	<b>102</b>
<b>Trellex Wearliner</b>	<b>104</b>
<b>Trellex Inspection Hatch</b>	<b>106</b>





# Trellex Snap-On

---

Designed to safely seal the area where the chute meets the conveyor. When longer stretches of your belt need to be sealed, the Trellex Snap-On sealing system is the optimal choice.

#### **Material properties**

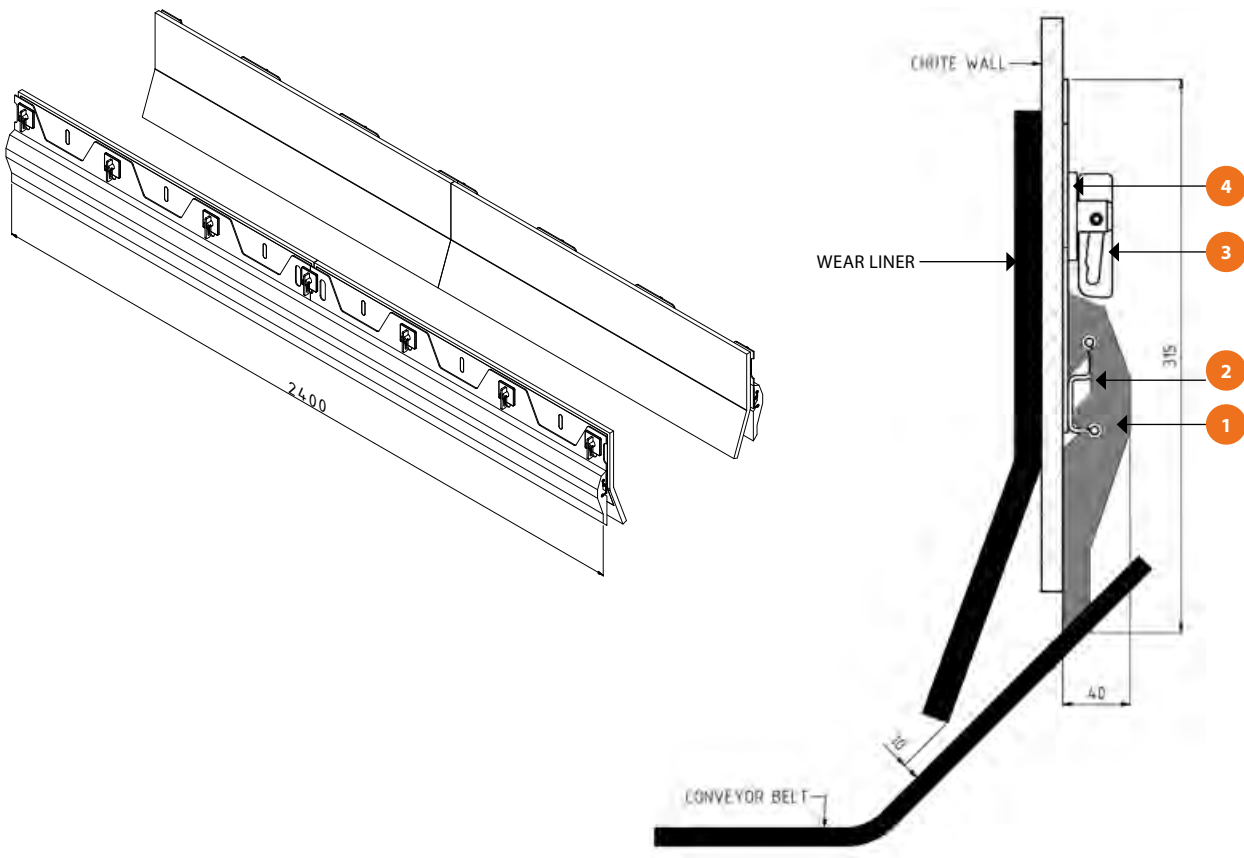
Made of extruded EPDM rubber, a material developed specially for this application, the product is delivered on a roll. It has lower wear properties than the belt itself, which means that there is no risk of grooves forming on the belt, even over extended periods of operation. When the rubber sides start to wear down, it is easy to readjust the position of the sealing system to keep the seal tight.

#### **Special features**

A laser-cut metal bracket is attached to the chute wall with simple wedge bolts, which makes installation very easy. Extruded rubber sides are then snapped onto the bracket's special profile – hence the name Snap-On. Since the rubber is delivered on a roll, and the construction is very simple, this sealing system works well for sealing longer stretches of your belt.

## Technical description

**Material:** 1. EPDM rubber RU  
2. Galvanised steel  
**Hardness:** 60 +/-5 Shore A  
**Density:** 1.16 g/cm<sup>3</sup>  
**Colour:** Black



Part no.	Spare parts	Description	Weight (kg)
<b>MM0378624</b>		TRELLEX SNAP-ON <b>SET</b> -BOTH SIDES L=2400 INCL WEARLINER	142.7
<b>43271400</b>		TRELLEX SNAP-ON <b>SET</b> -BOTH SIDES L=2400	75.9
<b>43271401</b>	1	TRELLEX SNAP-ON SEALING STRIP L=5000	23.6
<b>43271402</b>	2	TRELLEX SNAP-ON BACKING PLATE L=1200	6.6
<b>43271403</b>	3	TRELLEX SNAP-ON WEDGE BOLT	0.1
<b>43271404</b>	4	TRELLEX SNAP-ON SQUARE WASHER 5X21X50 FZV	0.1



# Trellex Clamp-On

This neatly designed sealing system is suitable for most common applications, safely sealing the area where the chute meets the conveyor.

### Material properties

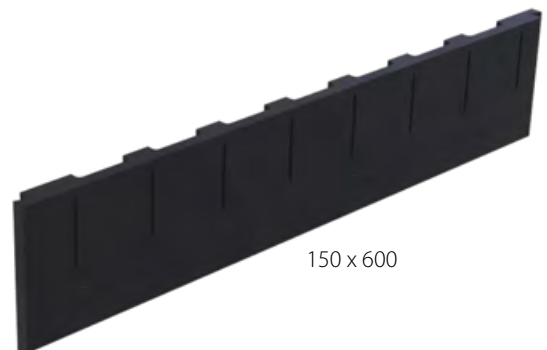
Made of foam PU, a material developed specially for this application, the product is delivered in blocks of two type of lengths. The PU material has lower wear properties than the belt itself, which means that there is no risk of grooves forming on the belt, even when used over extended periods. And when the PU starts to wear down, it is easy to readjust the position of the sealing system and keep the seal tight.

### Special features

A laser-cut metal plate is screwed or welded to the chute wall. The foam PU blocks are then hooked onto the plate's profile and clamped into position with a horizontal aluminium profile. To adjust their height, the clamps can just be released and the PU blocks manoeuvred into the new position. Where two PU blocks overlap, an overlapping Z- profile guarantees a tight seal.



150 x 150



150 x 600



## Technical description

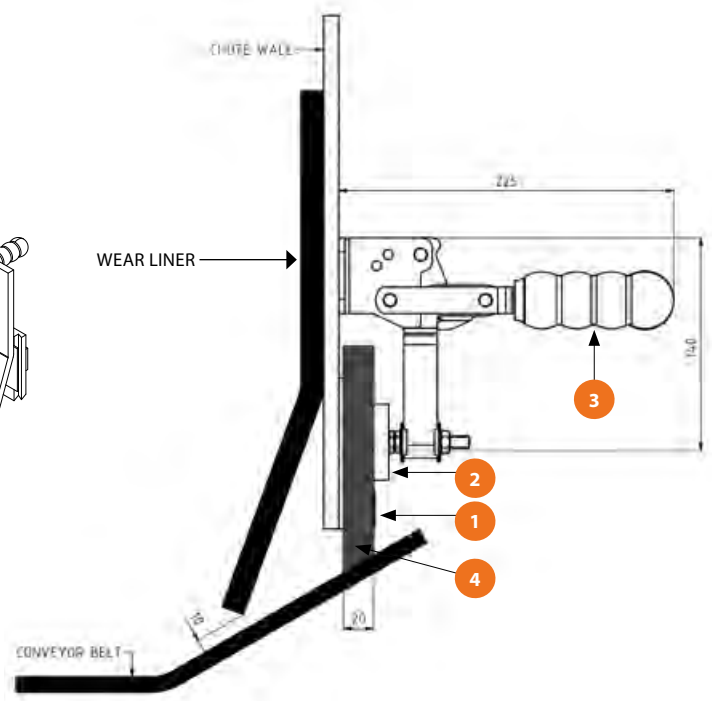
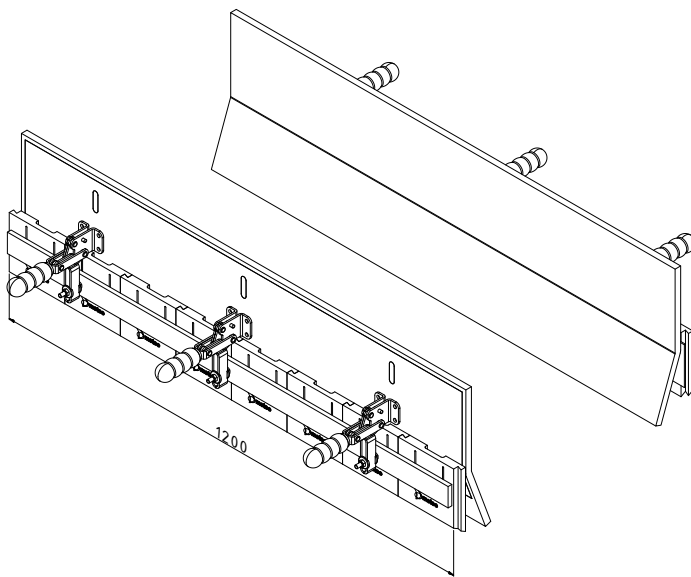
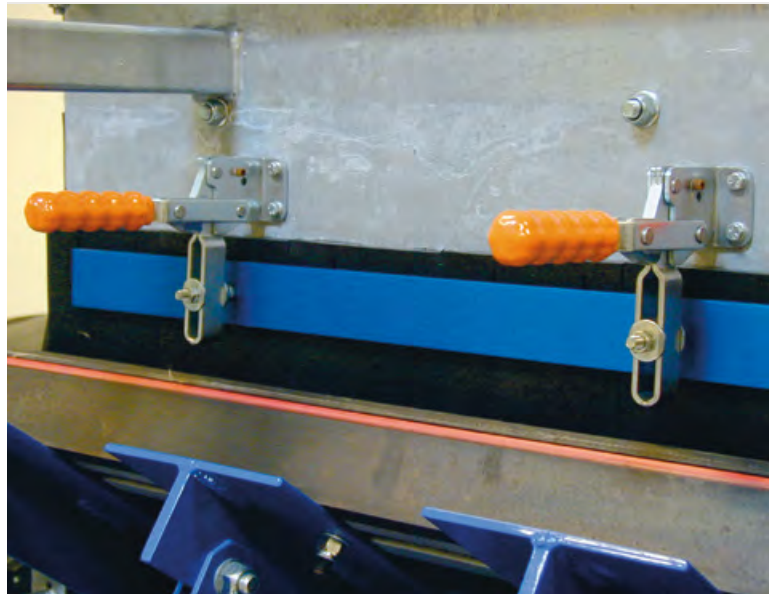
### Material:

1. Galvanized steel
2. Aluminium
3. Steel/Plastic
4. Foam PU

**Hardness 4:** 85 ±5 Shore A

**Density:** 1.03 g/cm<sup>3</sup>

**Colour:** Black



Part no.	Spare parts	Description	Weight (kg)
43271215		TRELLEX CLAMP-ON <b>SET</b> -BOTH SIDES L=1200 W/ 16X150 SEALING BLOCKS	142.7
MM0396966		TRELLEX CLAMP-ON <b>SET</b> -BOTH SIDES L=1200 W/ 16X150 W/O WL	75.9
43271260		TRELLEX CLAMP-ON <b>SET</b> -BOTH SIDES L=1200 W/ 4X600 SEALING BLOCKS	23.6
MM0396967		TRELLEX CLAMP-ON <b>SET</b> -BOTH SIDES L=1200 W/ 4X600 W/O WL	6.6
43270150	4	TRELLEX CLAMP-ON SEALING BLOCK L=150	0.3
43270600		TRELLEX CLAMP-ON SEALING BLOCK L=600	1.0
43270000	3	TRELLEX CLAMP-ON CLAMP	
43271201	2	TRELLEX CLAMP-ON CLAMPING BAR L=1200	
43271200	1	TRELLEX CLAMP-ON GUIDE PLATE L=1200	



# Trellex Wearliner

---

A valuable addition to every chute, this highly practical product steadily delivers a whole series of important advantages.

#### **Material properties**

The product is made of rubber vulcanised onto an angled steel plate. The special type of rubber (Trellex T60) used is a very hardwearing material that can withstand heavy impacts. Its high elasticity means that falling material bounces off its surface, efficiently preventing material from getting trapped and damaging the belt.

#### **Special features**

Trellex Wearliner sits inside the chute wall and, thanks to its angled profile, guides material towards the centre of the belt and away from the sealing system. This helps eliminate mistracking and gives your sealing system a longer wear life.

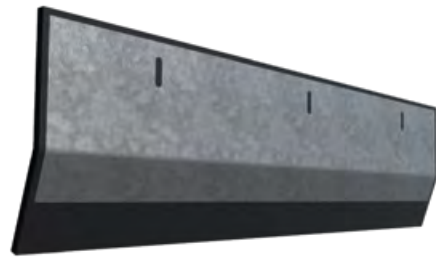
Lined with soft rubber, this valuable accessory greatly reduces the noise of falling material inside the chute, thus also contributing to a better working environment.

## Technical description

**Material:** 1. Rubber RU  
2. Steel (t = 5 mm)  
**RU Hardness:** 60 +/-5 Shore A  
**RU Density:** 1.12 g/cm<sup>3</sup>  
**Colour:** Black



Angled



Plain

Part no.	Description	Weight (kg)
43271202	TRELLEX WEARLINER 15X350X1200 PLAIN	16.7
43271203	TRELLEX WEARLINER 15X350X1200 ANGLED	16.7



# Trellex Inspection Hatch

---

We recommend using an inspection hatch whenever you want to watch or access the workings of a closed operation. For example, when checking the condition of your belt cleaner, or even replacing it.

#### **Material properties**

Unlike most competing products, Metso's inspection hatch is made of foam PU with a steel frame, not just steel alone. Thanks to the elasticity of the foam PU, the inspection hatch sits tightly in position, preventing leakage of dust or other substances.

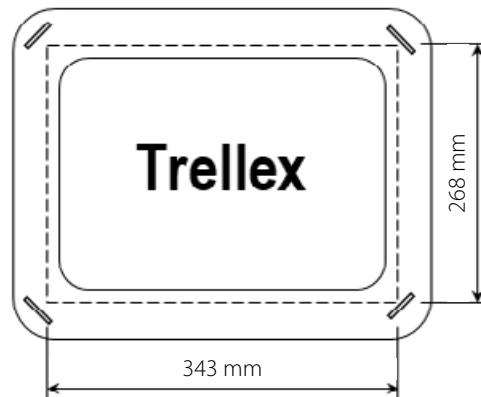
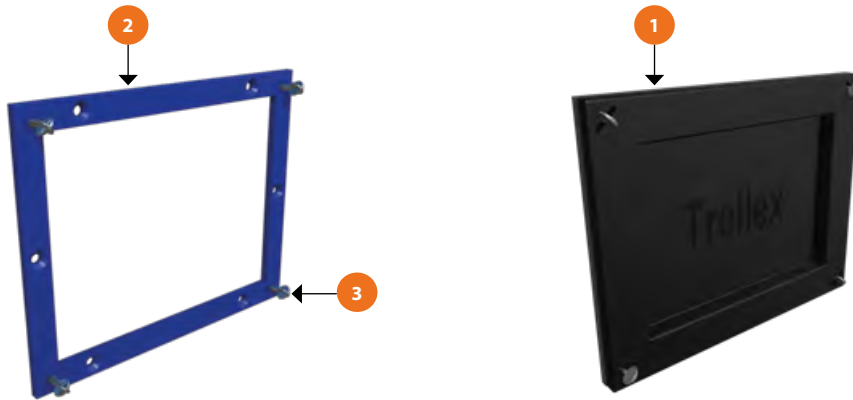
#### **Special features**

Our inspection hatch is designed for very easy installation. Just screw into position, and get access to the parts of your equipment that would otherwise be impossible to see or reach – in minutes!



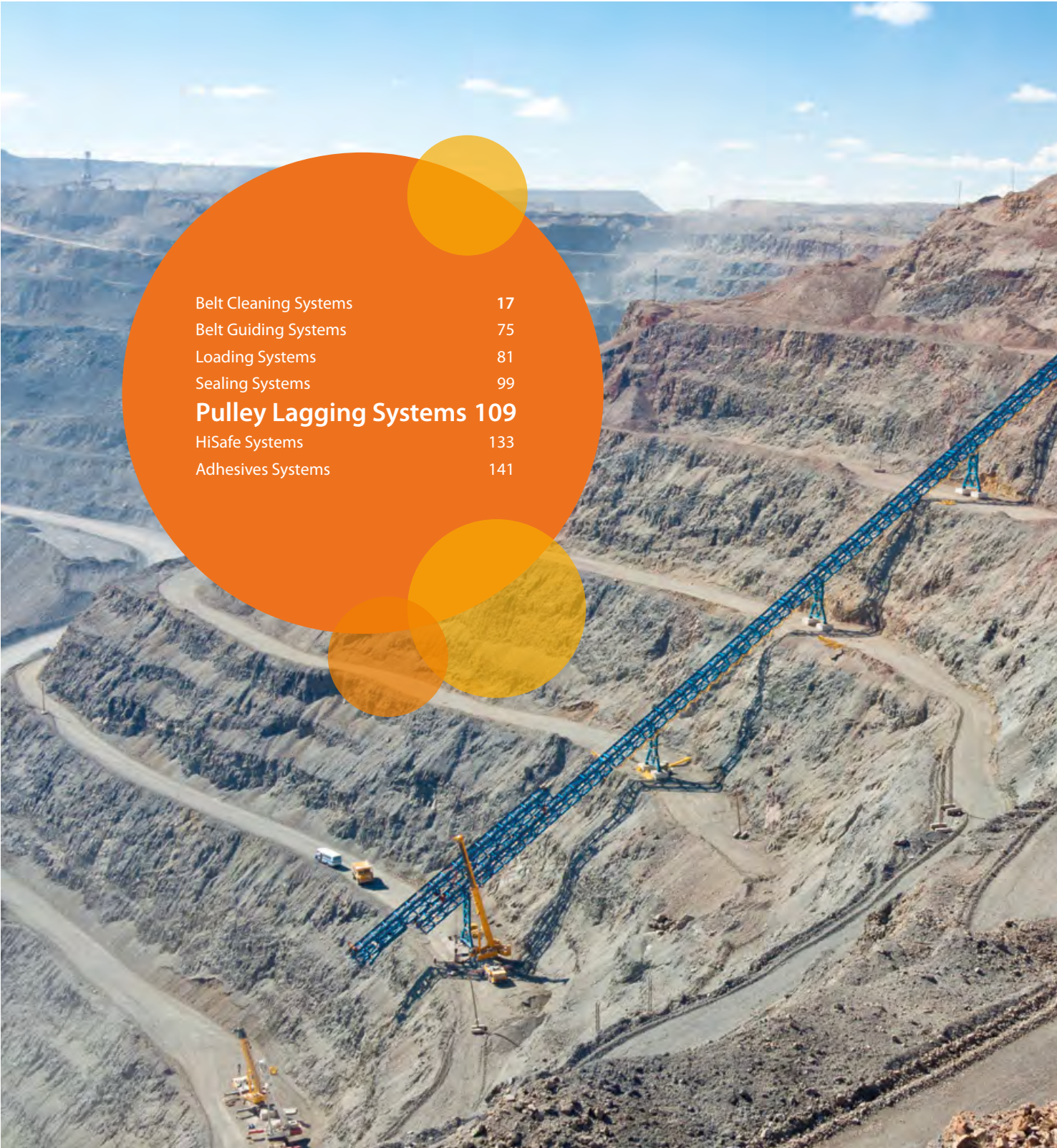
## Technical description

**Material:** 1. Foam PU  
2. Powder dip-coated steel  
**PU Hardness:** 44 +/-5 Shore A  
**PU Density:** 1.03 g/cm<sup>3</sup>  
**Colour:** Black  
**Dimensions:** Hatch 400x325x30 mm



Part no.	Spare parts	Description	Weight (kg)
43280400		TRELLEX INSP. HATCH <b>SET</b> 400X325	5.1
43280401	1	TRELLEX INSP. HATCH HATCH	1.9
43280402	2	TRELLEX INSP. HATCH FRAME	3.1
43280403	3	TRELLEX INSP. HATCH RETAINING BLADE SCREW 8X2	

# Accessories



Belt Cleaning Systems	17
Belt Guiding Systems	75
Loading Systems	81
Sealing Systems	99
<b>Pulley Lagging Systems</b>	<b>109</b>
HiSafe Systems	133
Adhesives Systems	141





# Pulley Lagging Systems

With a pulley lagging system from Metso, your pulley and conveyor belt remain in contact at all times. This increases friction and prevents the belt from slipping – which would otherwise rapidly ruin your belt, especially at high rotation speeds. In the worst case, slipping can lead to overheating and even start a fire. A pulley lagging system therefore makes an important contribution to the safety of your conveyor.

Metso offers the broadest range of pulley lagging systems on the market, supplying everything from the most basic to the most technically advanced products.

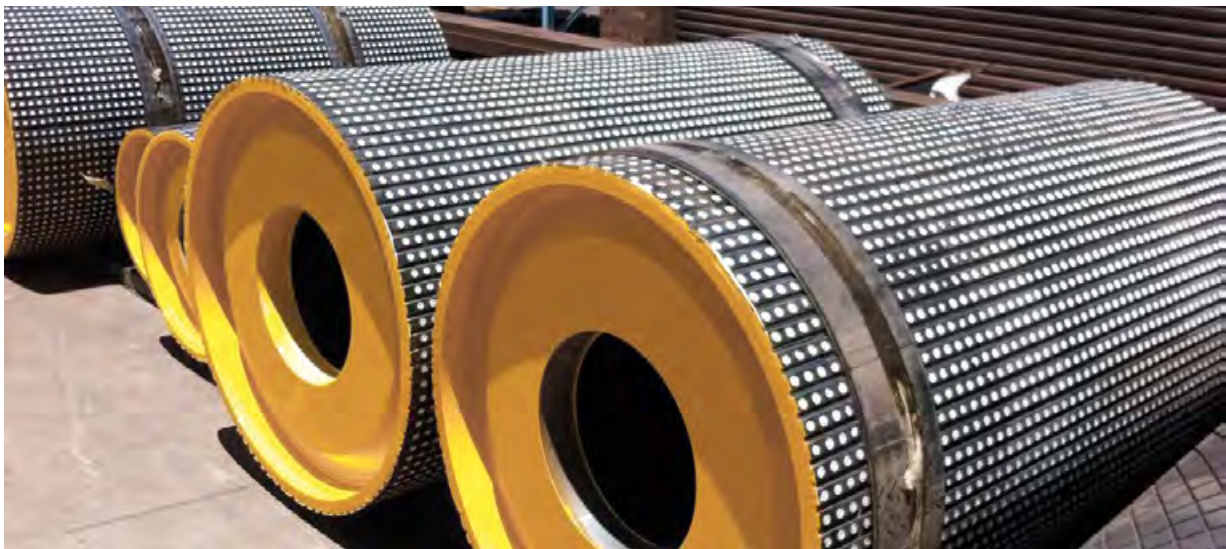
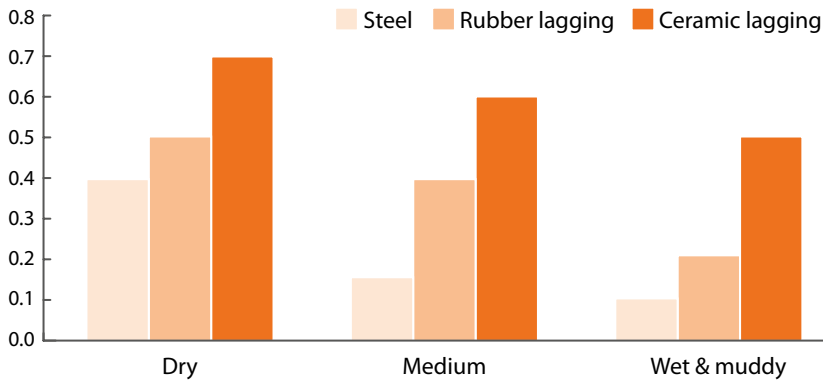
<b>Lagging Comparison</b>	<b>110</b>
<b><u>RUBBER LAGGING</u></b>	
Trellex Traclag	112
Metso Traclag	114
Trellex Griplag	116
Trellex Pulley Bar	120
<b><u>CERAMIC LAGGING</u></b>	
Trellex Cerlag	122
Metso Cerlag	124
<b><u>PU LAGGING</u></b>	
Metso PUlag	128

# Lagging Comparison

Adding a suitable lagging to the drive pulley will not only reduce wear on the pulley but also increase the coefficient of friction. The lagging comparison allows you to compare and select the pulley lagging bringing maximum value to your application. Simply compare the coefficient of friction in dry, medium or wet conditions to find the product being most suitable for your specific conditions.

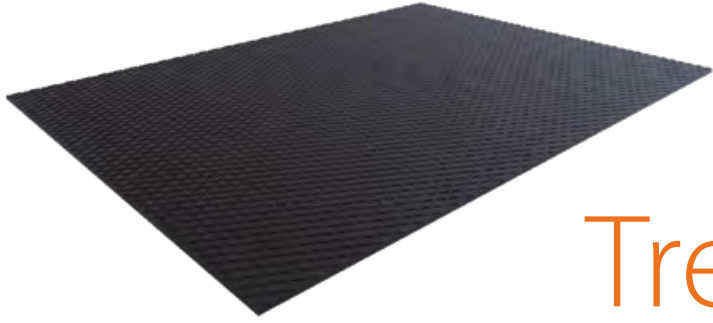
LAGGING TYPE	DRY	MEDIUM	WET
Steel	0.4	0.15	<0.1
Traclag	0.6	0.5	0.4
Griplag	0.6	0.5	0.4
Pulley Bar	0.6	0.5	0.4
Cerlag	0.7	0.6	0.5

Coefficient of friction









# Trellex Traclag

A good-quality Trellex T60 pulley lagging system with a diamond-patterned tread. This is Metso's standard offering for OEMs.

#### **Material properties**

Trellex T60 offers good wear resistance so Traclag is equipped to handle the internal wear that typically occurs between the points where the belt meets and leaves the pulley.

#### **Special features**

A contact layer of 0.8 mm enables good adherence to the pulley. It ensures a higher bonding strength without the need to buff the rubber, thereby minimising installation time.

## Technical description

**Material:** Wear Rubber 60 ShoreA, Contact Layer-CL

**Wear side:** Diamond-pattern

**Installation:** Cold bonding

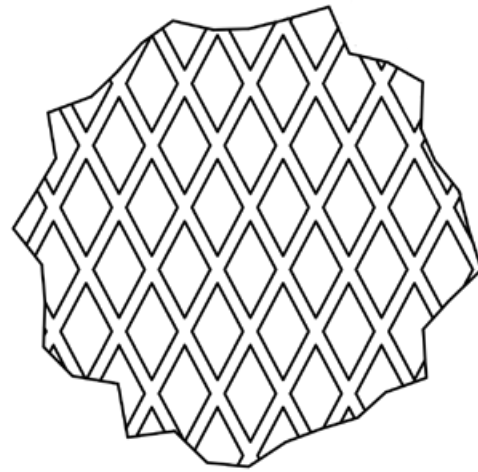
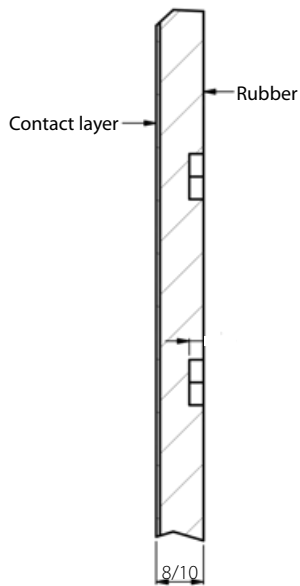
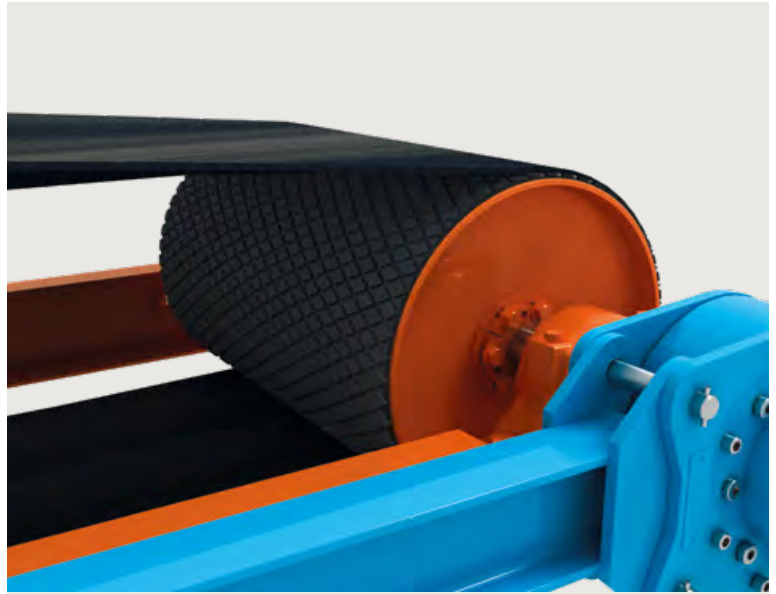
**Fire Resistant & Anti Static, FRAS:**

10 x 250 mm, available on request

**Width:** 10 x 500 mm, Available on request

**Hot Vulcanising:** Available on request

**Cold Bonded Lagging:** Metso Pulley lagging should be applied according to the Metso application procedure using **Trellex Steel Primer P5** (P/N 2322060) and **Trellex Greenbond** adhesive (P/N 2322040). These have been formulated to contain ingredients that chemically interlock with components in the CN/CL bonding layer.



Part No.	Description	UoM	Weight (kg)	Width (m)	Length (m)
958085	TRELLEX TRACLAG 8X1500X50000 CL	M <sup>2</sup>	12,5	1,5	50
958081	TRELLEX TRACLAG 8X2000X50000 CL	M	19	2,0	50
958084	TRELLEX TRACLAG 10X1500X50000 CL	M <sup>2</sup>	15	1,5	50
958082	TRELLEX TRACLAG 10X2000X50000 CL	M	22,7	2,0	50
<b>NEW!</b> MM0467098	METSO TRACLAG 10X250X80000 CL	M	2,8	0,25	80*
<b>NEW!</b> MM0467099	METSO TRACLAG 10X250X80000 CL FRAS	M	3	0,25	80*

\* Length of full roll, can be ordered per meter in other lengths.



NEW!

# Metso Traclag



Suitable for medium & heavy belt-tension applications, our diamond-profile rubber lagging delivers high durability and excellent resistance in outdoor environments.

#### Material properties

Rubber is a naturally flexible, elastic and abrasion-resistant material which enhances grip and reduces wear on the pulley shell. The particular rubber compounds used in our rubber lagging are formulated with advanced protection systems to resist outdoor environments and extend service life.

Different rubbers are moulded together. The top layer is engineered for maximum abrasion resistance in both wet and dry conditions. Beneath it lies an adhesion CN bonding layer, which is formulated to achieve the ultimate adhesion when bonded to steel pulley surfaces.

The lagging nonetheless maintains a high level of flexibility, which enables it to shed carry-back and protect your conveyor belt.

#### Special features

A diamond surface profile helps remove dirt and water from the pulley. It also increases the coefficient of friction between the drive pulley and conveyor belt, increasing grip and improving the drive and tracking of the conveyor belt.

Rubber lagging from Metso is available in both SBR Natural and FRAS approved compounds, each colour coded for easy identification. The product is delivered on easy-to-handle rolls that fit standard pallets.



## Technical description

**Material:** Wear Rubber 65 ShoreA, Buffed Bonding Layer-CN

**Wear side:** Diamond-pattern

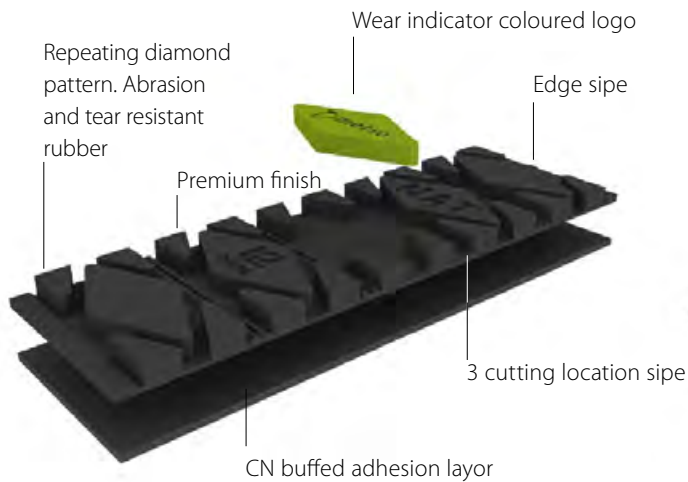
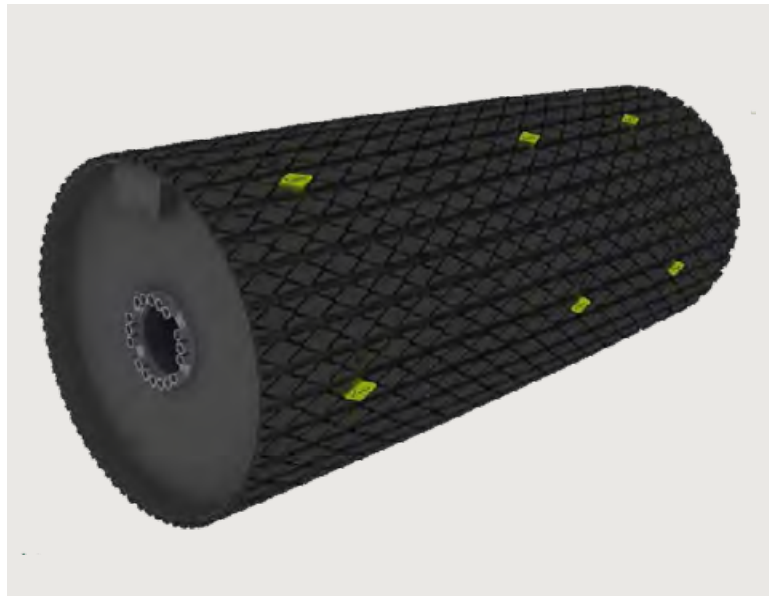
**Installation:** Cold bonding

**Fire Resistant & Anti Static, FRAS:** Available on request

**Width:** Standard 250mm (500mm available on request)

**Hot Vulcanising:** Available on request

**Cold Bonded Lagging:** Metso Pulley lagging should be applied according to the Metso application procedure using **Trellex Steel Primer P5** (P/N 2322060) and **Trellex Greenbond** adhesive (P/N 2322040). These have been formulated to contain ingredients that chemically interlock with components in the CN/CL bonding layer.



**METSO TRACLAG - STANDARD**



**METSO TRACLAG - FRAS**

Part No.	Description	UoM	Weight (kg)	Width (m)	Length* (m)
MM0470019	METSO TRACLAG 12x250x65000 CN	M	3,9	0,25	65
MM0470020	METSO TRACLAG 12x250x65000 CN FRAS	M	4,1	0,25	65
MM0467100	METSO TRACLAG 15x250x50000 CN	M	4,3	0,25	50
MM0467101	METSO TRACLAG 15x250x50000 CN FRAS	M	4,5	0,25	50
MM0467102	METSO TRACLAG 20x250x40000 CN	M	5,7	0,25	40
MM0467103	METSO TRACLAG 20x250x40000 CN FRAS	M	5,9	0,25	40

\* Length of full roll, can be ordered per meter in other lengths.



# Trellex Griplag

(not suitable for reversible belts)



A quality-engineered Trellex T60 pulley lagging system with a surface pattern of conical rubber knobs. The simple fastening system on this product means you can replace the pulley lagging without even having to remove the belt or pulley – thus saving both time and money.

#### Material properties

The design of the fastening system combined with the material's surface pattern permit the Trellex T60 rubber pulley lagging to stretch. This gives it a superior ability to handle internal wear (see above). The pattern also naturally eliminates water from the surface of the material as the pulley rotates.

#### Special features

The Trellex Griplag pulley lagging system was first invented by Metso almost 40 years ago and is still one of our best-selling products in this category. Metso sets the standard and still offers the most reliable ways to handle internal wear and protect your belt.

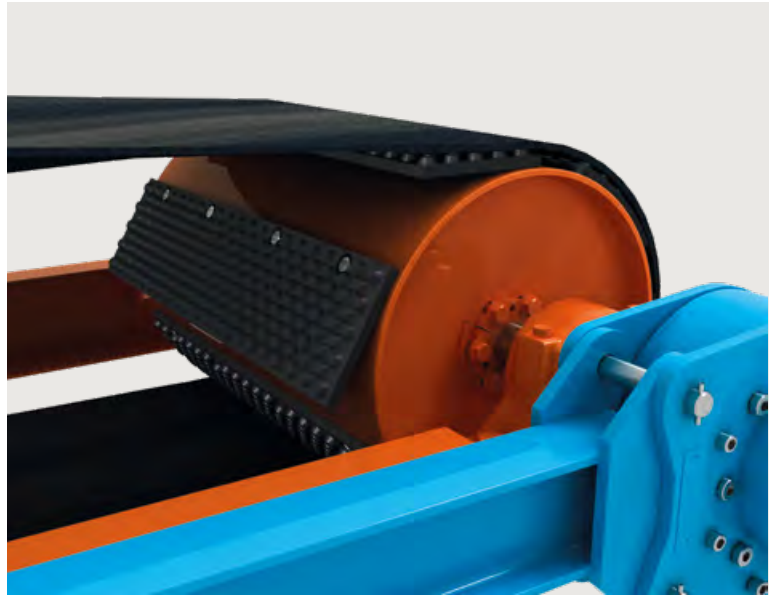
Fastened to the pulley on just one side (no glue needed), the pulley lagging is designed to flap freely up and down as the pulley rotates, easily shaking off any dirt from the surface. It also helps that the rubber material is naturally flexible.

## Technical description

**Material:** Wear rubber 60 ShoreA

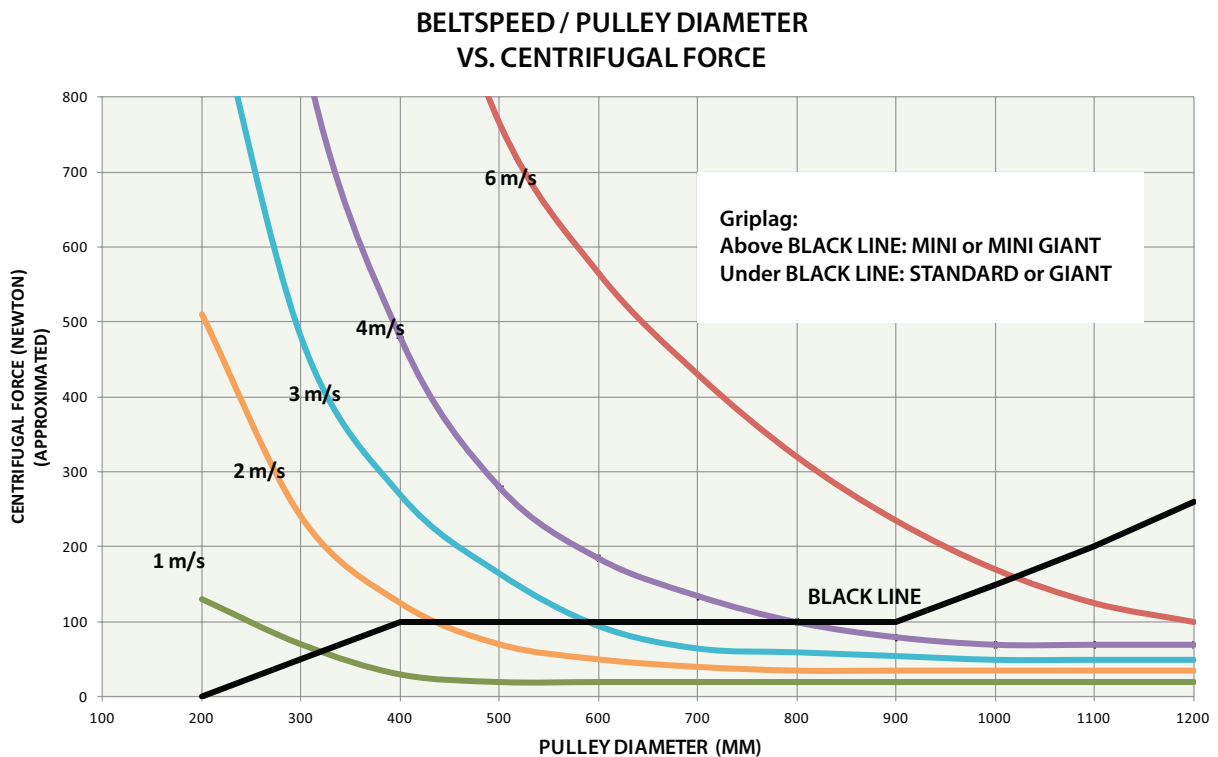
**Fastening rail:** Steel

**Screw:** M6SF-TT M10 x 20 mm



### Standard or Mini selection guide

- You need to know the pulley diameter and the belt speed
- Find the point where the belt speed curve crosses the line for the pulley diameter
- If this point is above the **BLACK LINE**, Griplag Mini or Mini Giant must be used
- If this point is under the **BLACK LINE**, Griplag Standard or Giant can also be used

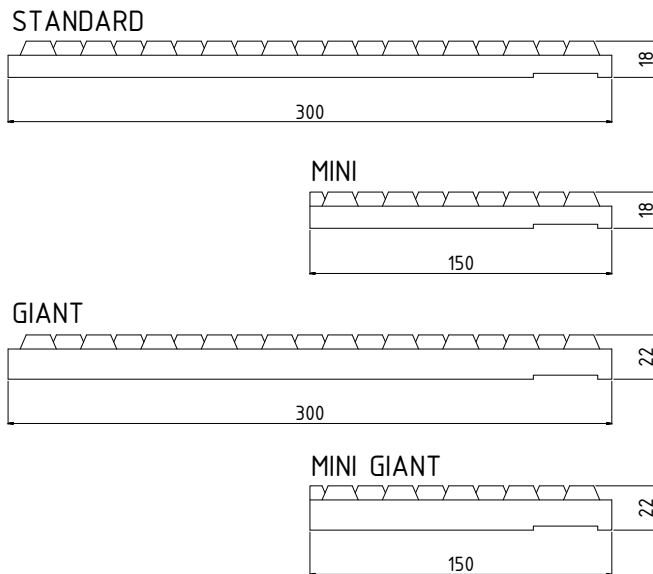




# Trellex Griplag

(not suitable for reversible belts)

Continued from previous page



Part No.	Description	UoM	Weight (kg)	Dimensions (mm)
958066	TRELLEX GRIPLAG 18X300X1200 STANDARD	EA	7,3	18X300X1200
430958066	TRELLEX GRIPLAG 18X300X1200 STANDARD W/ SCREWS	EA	7,4	18X300X1200
2062270	TRELLEX GRIPLAG 18X150X1200 MINI	EA	4,4	18X150X1200
432062270	TRELLEX GRIPLAG 18X150X1200 MINI W/ SCREWS	EA	4,5	18X150X1200
1804160	TRELLEX GRIPLAG 22X300X1200 GIANT	EA	7,9	22X300X1200
431804160	TRELLEX GRIPLAG 22X300X1200 GIANT W/ SCREWS	EA	8	22X300X1200
2321420	TRELLEX GRIPLAG 22X150X1200 MINI GIANT	EA	4,7	22X150X1200
432321420	TRELLEX GRIPLAG 22X150X1200 MINI GIANT W/ SCREWS	EA	4,8	22X150X1200
1762100	TRELLEX CA-COMP M6SF-TT DIN7500D M10X20			

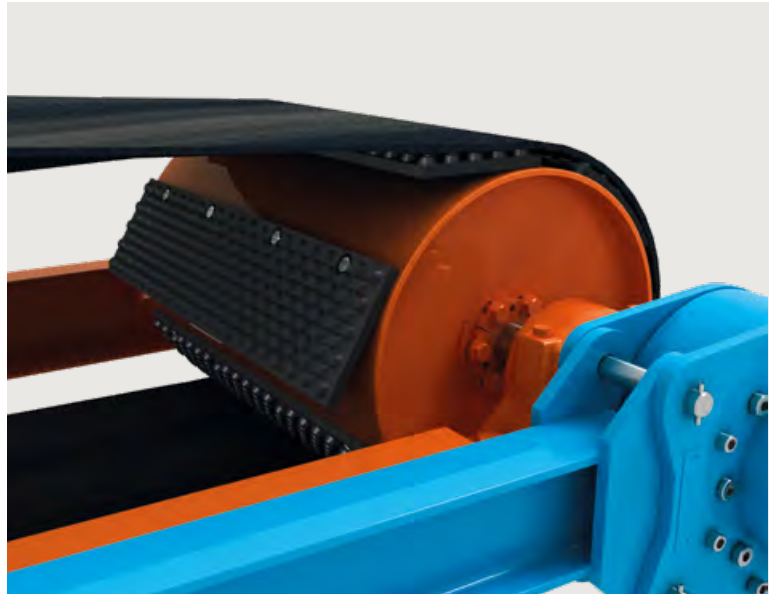


## Technical description

**Material:** Wear rubber 60 ShoreA

**Fastening rail:** Steel

**Screw:** M6SF-TT M10 x 20 mm

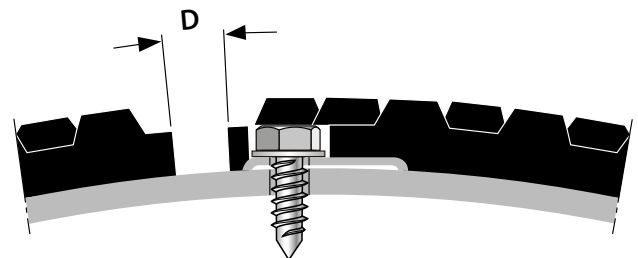


### Griplag width 300 mm

A	B						
	800	1000	1200	1400	1600	1800	2000
Ø	C/D	C/D	C/D	C/D	C/D	C/D	C/D
400	3/14	4/14	4/14	5/14	6/14	6/14	8/14
500	4/14	5/14	5/14	6/14	7/14	8/14	10/14
700	5/14	7/14	7/14	9/14	10/14	11/14	14/14
800	6/14	8/14	8/14	10/14	11/14	12/14	16/14
1000	7/14	10/14	10/14	12/14	14/14	15/14	20/14
1200	8/14	12/14	12/14	14/14	16/14	18/14	24/14
1500	10/14	15/14	15/14	18/14	20/14	23/14	30/14
1600	11/14	16/14	16/14	19/14	22/14	24/14	32/14

### Griplag width 150 mm

A	B						
	800	1000	1200	1400	1600	1800	2000
Ø	C/D	C/D	C/D	C/D	C/D	C/D	C/D
200	3/7	4/7	4/7	5/7	6/7	6/7	8/7
250	4/7	5/7	5/7	6/7	7/7	8/7	10/7
300	4/7	6/7	6/7	7/7	8/7	9/7	12/7
315	4/15	6/15	6/15	7/15	8/15	9/15	12/15
400	6/7	8/7	8/7	10/7	11/7	12/7	16/7
500	7/7	10/7	10/7	12/7	14/7	15/7	20/7
630	8/15	12/15	12/15	14/15	16/15	18/15	24/15
700	10/7	14/7	14/7	17/7	19/7	21/7	28/7
800	11/7	16/7	16/7	19/7	22/7	24/7	32/7
1000	14/7	20/7	20/7	24/7	27/7	30/7	40/7
1200	16/7	24/7	24/7	28/7	32/7	36/7	48/7
1250	17/7	25/7	25/7	30/7	34/7	38/7	50/7
1500	20/7	30/7	30/7	35/7	40/7	45/7	60/7



A = Diameter of drive pulley  
 B = Width of drive pulley  
 C/D = Number of lagging elements/spaces (mm)



# Trellex Pulley Bar

Our engineered Trellex T60 Pulley Bars with diamond surface pattern offer proven performance in heavy-duty applications.

### Material properties

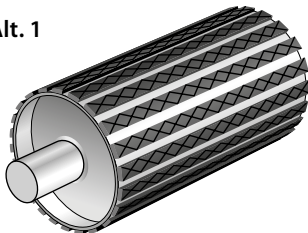
Made of hardwearing Trellex T60 moulded to an aluminium profile, this product has the perfect combination of elasticity and rigidity. Its elasticity enables it to handle the internal wear that typically occurs between the points where the belt meets and leaves the pulley. Its rigidity makes the product easy to work with. The surface pattern naturally eliminates water from the surface of the material as the pulley rotates.

### Special features

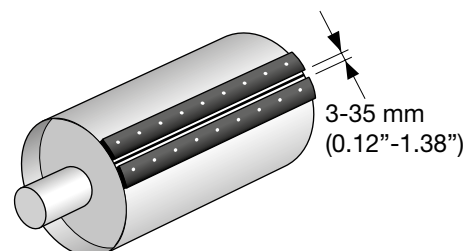
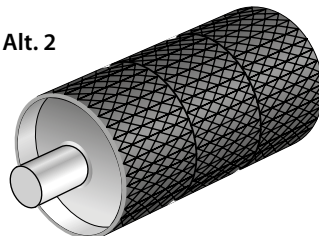
A simple fastening system (no glue needed) makes it easy to replace the pulley lagging when necessary. This feature saves both time and money, since there is no need to remove the belt or the pulley.

The Trellex T60 Pulley Bar was first invented by Metso over 30 years ago. Metso sets the standard and still offers the most reliable ways to handle internal wear and protect your belt.

Alt. 1



Alt. 2

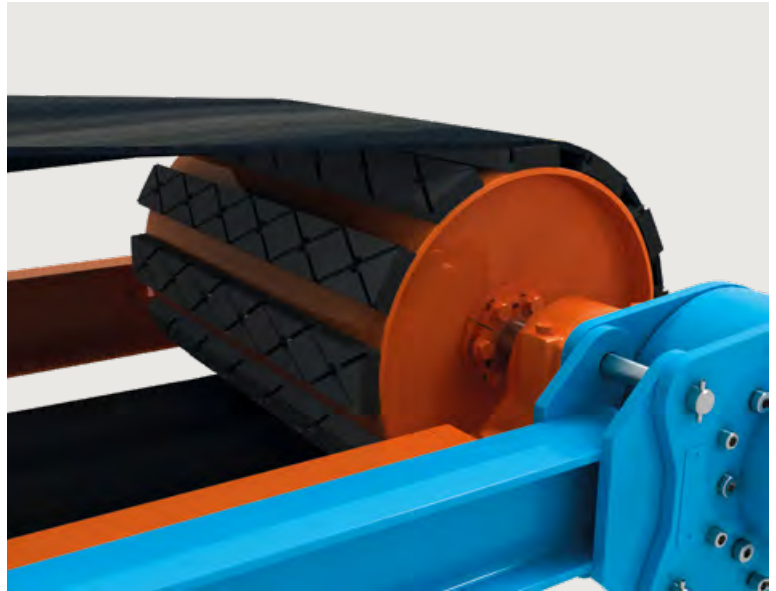


## Technical description

**Material:** Wear rubber 60 ShoreA

**Fastening rail:** Aluminium

**Screw:** M6SF-TT M8 x 25 mm



This table shows you the recommended number of bars to be used based on pulley diameter and belt speed.

Pulley diameter (mm) Ø	Number of bars		
	Belt speed <1.5 m/s		Belt speed >1.5 m/s
	Alt. 1	Alt. 1	Alt. 2
150	7	7	7
200	9	9	9
300	11	11	12
400	12	14	16
500	15	17	21
600	18	20	25
630	19	21	26
700	21	23	29
800	24	26	33
900	27	30	38
1000	29	33	42
1100	32	36	46
1200	34	40	50
1250	36	41	53
1300	37	43	55
1400	40	46	59

This formula is used to determine if Trellex Pulley bars can be used.

$$F = \frac{P}{h \times D \times B}$$

P=power (kW)

h=belt speed (m/s)

D=pulley diameter (m)

B=pulley width (m)

**F should not exceed 130.**

Part No.	Description	Weight (kg)	Dimensions (mm)
958065	TRELLEX PULLEY BAR 22X70X1365	2,6	22x70x1365
430958065	TRELLEX PULLEY BAR 22X70X1365 STANDARD W/ SCREWS	2,7	22x70x1365
1762104	TRELLEX CA-COMP M6SF-TT DIN 7500DD M8X25		



# Trellex Cerlag

Suitable for use in the very worst weather or working conditions, the Trellex Cerlag is our top-of-the-line pulley lagging system. It will never let you down.

#### Material properties

Made of Trellex T60 combined with high-quality (92%) aluminium oxide ceramics, the product also has a contact layer for easy adherence to the pulley. Aluminium oxide ceramic is an extremely hardwearing material, which helps to improve grip. However, if the inserts have sharp edges, they can cause damage to the belt. To avoid this, we have chosen to make our inserts circular, thereby eliminating sharp edges. So your belt is safe, and you still get all the benefits of the material's excellent grip and performance.

#### Special features

Delivered on a roll, the rubber/ceramic material can be cut to fit your exact pulley length. This reduces waste, since there are no offcuts, and gives good availability since you only need to keep one item in stock.



## Technical description

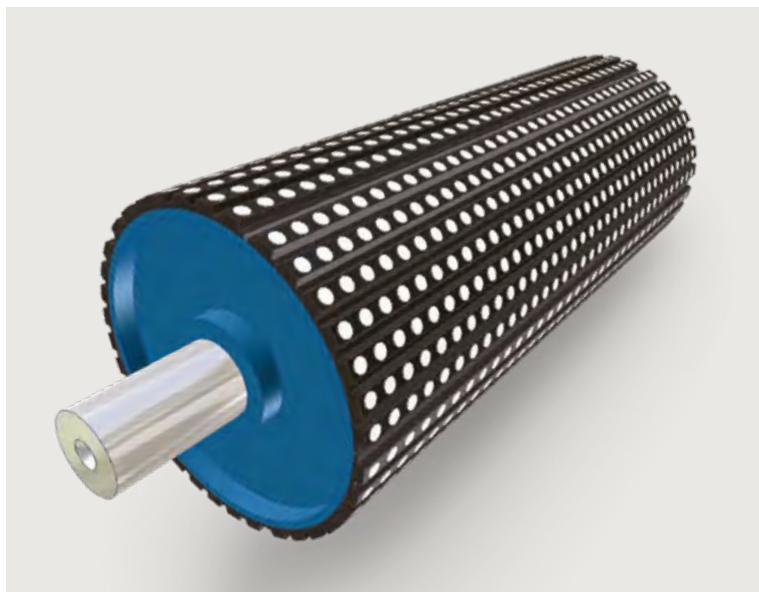
**Material:** Wear Rubber 60 ShoreA

Round ceramic tiles 92 %  $AL_2O_3$

**Installation:** Cold bonding

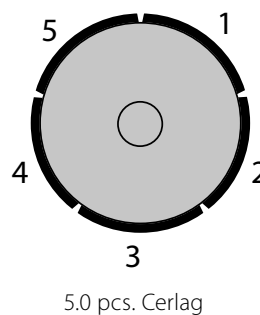
**Cold Bonded Lagging:** Metso Pulley lagging should be applied according to the Metso application procedure using **Trellex Steel Primer P5** (P/N 2322060) and **Trellex Greenbond** adhesive (P/N 2322040).

These have been formulated to contain ingredients that chemically interlock with components in the CN/CL bonding layer.



Diameter (mm)	Circumference (mm)	No. of rows required
300	942	4
400	1257	5
500	1571	7
600	1885	8
700	2199	9
800	2513	10
900	2827	12
1000	3142	13
1100	3456	14
1200	3770	15
1400	4398	18
1600	5027	20
1800	5655	23
2000	6283	25

### Example Ø 400 mm



Part No.	Description	UoM	Weight (kg)	Width (m)	Length (m)
6680149	TRELLEX CERLAG 10X250X1600	EA	5,1	0,25	1,6
6660541	TRELLEX CERLAG 16X250X1600	EA	6,9	0,25	1,6
MM0354797	TRELLEX CERLAG 12X250X10000 CL	M	30,5	0,25	10*
MM0348645	TRELLEX CERLAG 16X250X10000 CL	M	41	0,25	10*

\* Length of full roll, can be ordered per meter in other lengths.



NEW!

# Metso Cerlag



If your application requires better grip or higher wear resistance than rubber can provide, our ceramic lagging is the answer. It brings you excellent reliability and a long service life, even when used with highly stressed pulleys.

#### Material properties

This product combines 95% aluminium oxide ceramic tiles with a rubber backing that cushions the tiles and increases adhesion. The tiles are highly resistant to abrasion and cracking, while the rubber backing enables them to move dynamically. The result is long-term dimensional stability which ensures reliability over a long service life. Performance can be fine-tuned by selecting dimple (more grip) or smooth (more wear resistance) tiles.

#### Special features

A specially formulated CN bonding layer is engineered to achieve ultimate adhesion when bonded to steel pulley surfaces. A buffed finish increases surface contact and adhesion force. We guarantee you will not experience tile loss due to debonding.

Our Metso ceramic lagging is available in two easily handled and economical formats: long length rolls to fit standard pallets and custom strips with rubber end pieces to fit your pulley face width.

## Technical description

**Material:** Wear Rubber 65 ShoreA, Round Ceramic Tiles >95 % AL<sub>2</sub>O<sub>3</sub>, Buffed Bonding Layer-CN

**Installation:** Cold bonding

**Fire Resistant & Anti Static, FRAS:** Available on request

**Width:** Roll standard 250mm (500mm available on request) Strip standard 500mm (250mm available on request)

**Hot Vulcanising:** Available on request

**Cold Bonded Lagging:** Metso Pulley lagging should be applied according to the Metso application procedure using **Trellex Steel Primer P5** (P/N 2322060) and **Trellex Greenbond** adhesive (P/N 2322040). These have been formulated to contain ingredients that chemically interlock with components in the CN/CL bonding layer.



**METSO CERLAG - DRIVE PULLEY**



**METSO CERLAG - NON DRIVE PULLEY**

Part No. ROLL	Description	UoM	Weight (kg)	Width (m)	Length* (m)
MM0467089	METSO CERLAG 12x250x58200 <b>DRIVE</b> CN	M	4,2	0,25	58,2
MM0467090	METSO CERLAG 12x250x58200 <b>NON-DRIVE</b> CN	M	4,1	0,25	58,2
MM0467091	METSO CERLAG 12x250x58200 <b>FRAS</b> CN	M	4,5	0,25	58,2
MM0467092	METSO CERLAG 15x250x48500 <b>DRIVE</b> CN	M	4,8	0,25	48,5
MM0467093	METSO CERLAG 15x250x48500 <b>NON-DRIVE</b> CN	M	4,8	0,25	48,5
MM0467094	METSO CERLAG 15x250x48500 <b>FRAS</b> CN	M	4,8	0,25	48,5
MM0467095	METSO CERLAG 20x250x38800 <b>DRIVE</b> CN	M	5,2	0,25	38,8
MM0467096	METSO CERLAG 20x250x38800 <b>NON-DRIVE</b> CN	M	5,2	0,25	38,8
MM0467097	METSO CERLAG 20x250x38800 <b>FRAS</b> CN	M	5,2	0,25	38,8

\* Length of full roll, can be ordered per meter in other lengths.

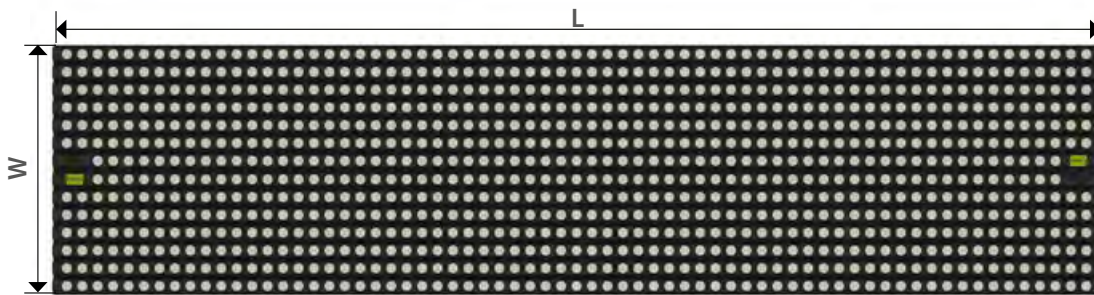


# Metso Cerlag



**NEW!**

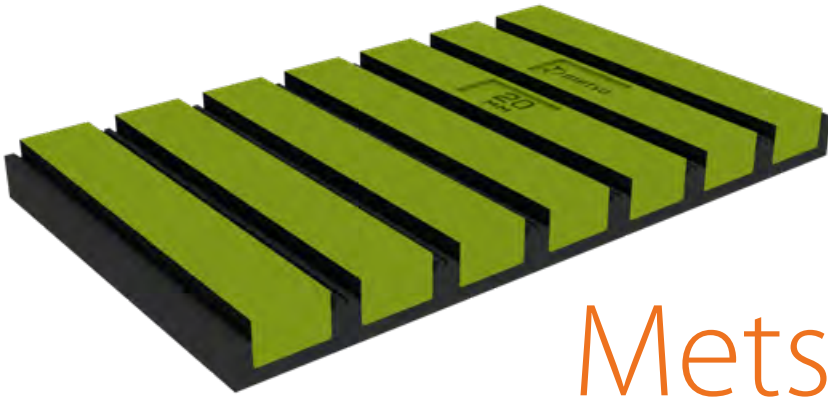
Continued from previous page



Part No. STRIP	Description	UoM	Weight (kg)	W=Width (m)	L=Length (m)
MM0473860	METSO CERLAG 15x500x2,1x2,06 <b>DRIVE</b> CN	EA	10,1	0,5	2,1
MM0473861	METSO CERLAG 15x500x2,1x2,06 <b>NON-DRIVE</b> CN	EA	10,1	0,5	2,1
MM0473862	METSO CERLAG 15x500x2,5x2,42 <b>DRIVE</b> CN	EA	12,0	0,5	2,5
MM0473863	METSO CERLAG 15x500x2,5x2,42 <b>NON-DRIVE</b> CN	EA	12,0	0,5	2,5
MM0473864	METSO CERLAG 15x500x2,7x2,64 <b>DRIVE</b> CN	EA	13,0	0,5	2,7
MM0473865	METSO CERLAG 15x500x2,7x2,64 <b>NON-DRIVE</b> CN	EA	13,0	0,5	2,7
MM0473866	METSO CERLAG 20x500x2,1x2,06 <b>DRIVE</b> CN	EA	10,9	0,5	2,1
MM0473867	METSO CERLAG 20x500x2,1x2,06 <b>NON-DRIVE</b> CN	EA	10,9	0,5	2,1
MM0473868	METSO CERLAG 20x500x2,5x2,42 <b>DRIVE</b> CN	EA	13,0	0,5	2,5
MM0473869	METSO CERLAG 20x500x2,5x2,42 <b>NON-DRIVE</b> CN	EA	13,0	0,5	2,5
MM0473870	METSO CERLAG 20x500x2,7x2,64 <b>DRIVE</b> CN	EA	14,0	0,5	2,7
MM0473871	METSO CERLAG 20x500x2,7x2,64 <b>NON-DRIVE</b> CN	EA	14,0	0,5	2,7
MM0473872	METSO CERLAG 25x500x2,1x2,06 <b>DRIVE</b> CN	EA	11,8	0,5	2,1
MM0473873	METSO CERLAG 25x500x2,1x2,06 <b>NON-DRIVE</b> CN	EA	11,8	0,5	2,1
MM0473874	METSO CERLAG 25x500x2,5x2,42 <b>DRIVE</b> CN	EA	14,0	0,5	2,5
MM0473875	METSO CERLAG 25x500x2,5x2,42 <b>NON-DRIVE</b> CN	EA	14,0	0,5	2,5
MM0473876	METSO CERLAG 25x500x2,7x2,64 <b>DRIVE</b> CN	EA	15,1	0,5	2,7
MM0473877	METSO CERLAG 25x500x2,7x2,64 <b>NON-DRIVE</b> CN	EA	15,1	0,5	2,7







# Metso PUlag



NEW!

Our polyurethane (PU) lagging extends the service life of non-drive pulleys. Its extreme abrasion resistance (better than rubber) and low friction coefficient makes it ideal for applications suffering premature wear, and situations in which damage to the belt cover must be avoided.

#### Material properties

PU resists the build-up of material, which makes this type of lagging particularly suitable for applications with carry back problems. It is also ideal whenever slippage between the conveyor belt and the lagging surface presents a problem, such as on-bend pulleys and non-drive pulleys on turn-over conveyors. Thanks to a low coefficient of friction, PU lagging is kind to belt covers.

#### Special features

The strips on our PU lagging are precision-moulded in an optimally formulated type of polyurethane PU. Highly abrasion-resistant PU inserts prevent wear on the pulley shell. Furthermore, the low coefficient of friction means PU lagging is kind to belt covers. PU lagging is supplied in easy-to-handle rolls that fit standard pallets. Plastic film packaging preserves the buffed bonding layer, ready for application.

## Technical description

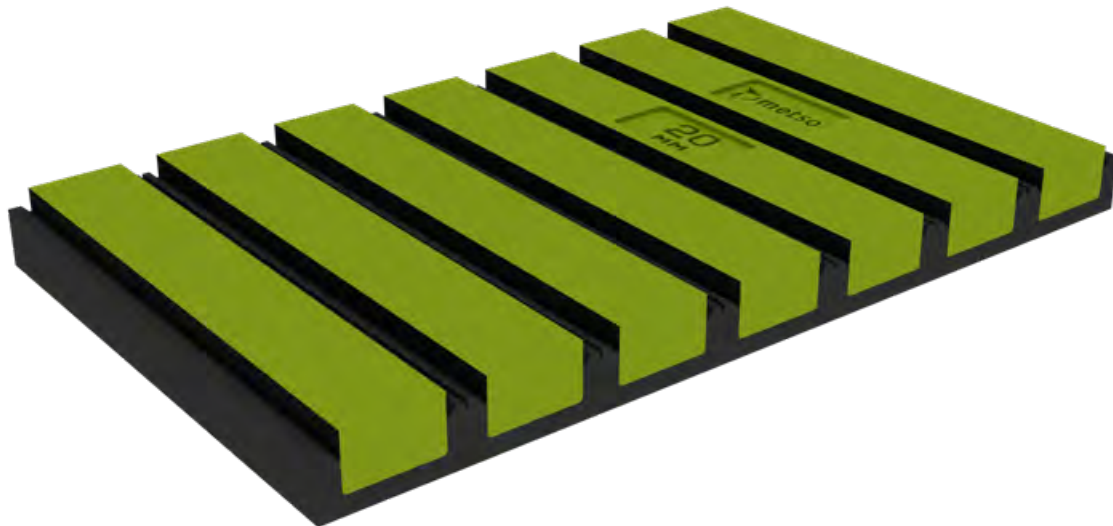
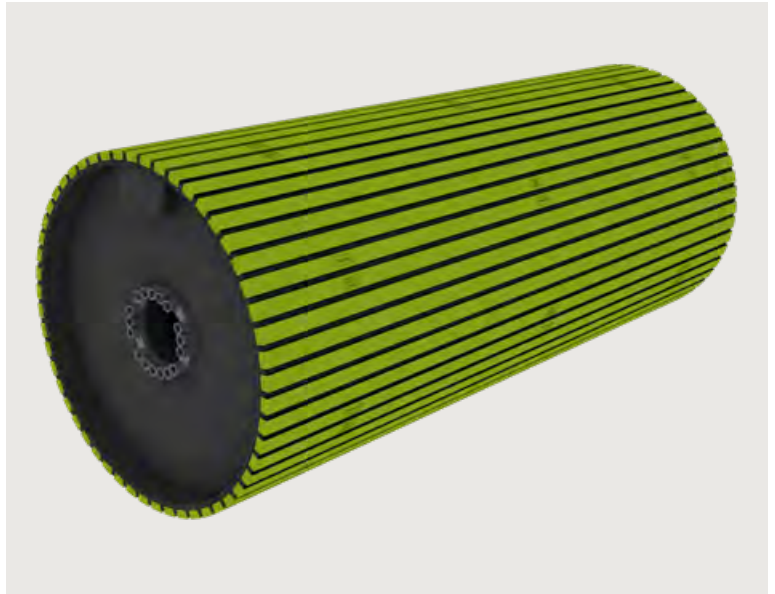
**Material:** : PU inserts 85 ShoreA

Rubber 65 ShoreA

Buffed Bonding Layer-CN

**Installation:** Cold bonding

**Hot Vulcanising:** Available on request



To achieve a rubber tear bond, Metso PULagging should be applied using Trellex Steel Primer P5 (P/N 2322060) and Trellex Greenbond adhesive (P/N 2322040). These have been formulated to contain ingredients that chemically interlock with components in the CN bonding layer.

When used together this is like a “chemical velcro” that makes the interface between the various layers stronger than the CN bonding layer.

Cold bonded polyurethane lagging applied according to the Metso application procedure will provide reliable adhesion levels that exceed 12 N/mm.

Part No.	Description	UoM	Weight (kg)	Width (m)	Length* (m)
MM0467104	METSO PULAG 12x250x58200 CN	M	3,7	0,25	58,2
MM0467105	METSO PULAG 20x250x35000 CN	M	6,4	0,25	35

\* Length of full roll, can be ordered per meter in other lengths.

# Health, safety and environment

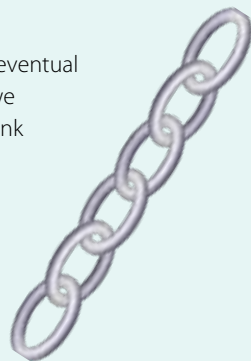
Health, safety and environmental protection are top priorities in every workplace today. However, they occupy an especially critical position in mining and aggregates, where our conveyor solutions are generally used. These industries are especially impactful on the landscape. They are heavily regulated. Risks are significant and diverse, from heavy loads and heights to the presence of explosives and potentially hazardous equipment. Everyone has to be extra-careful.

Thanks to many years' experience in the field, we know what it takes to operate safely and cleanly in mining and aggregates. As a Metso customer, we can help you leverage the latest technologies and foster the necessary mindset to optimise your performance in health, safety and the environment.

## Our approach...

### Value chain thinking

From design to installation, use and eventual retirement of equipment, at Metso we strive to minimise the risks in every link of the value chain – risks not only to people, but also to the environment.



### Personal responsibility

Safety features can be built into your equipment, but they're actually a key part of everyone's job. We therefore emphasise the central importance of everyone's personal responsibility for their own safety and the safety of others.



### All incidents can be avoided

Incidents only occur when a tool is not used properly, a procedure is not followed, or a safety device is missing or out of order. With proper implementation of the tools, procedures and safety devices we provide, such incidents can be avoided.



### ONE safety standard

At Metso, we apply the same strict safety standards, to our employees, suppliers, customers and other partners. There are no exceptions.





We can help you leverage the latest technologies and foster the necessary mindset to optimise your performance in health, safety and the environment.

... your advantage

### **Safety-enhancing solutions**

Our product lines include numerous safety-enhancing solutions to help you create a clean, quiet and secure environment for your workers. Employees work more efficiently when they are confident in their own safety. Special, safety-oriented Metso products like the HiSafe range contribute even more to productivity, improving your bottom line as well as enhancing workplace safety.

### **Waste**

Any form of waste costs money, whether it's manufacturing scrap, lost time or waste minerals in a mine or quarry. Over time, it costs much more than is commonly realised. At Metso, we make it our business to eliminate these unnecessary costs.

### **Energy consumption**

Most Metso conveyor solutions are used in energy-intensive industries. A focus area for product development is to incrementally reduce the energy consumption in our systems. This contributes to a reduction in environmental impacts, and at the same time increases the economic stability of your business.



# Accessories

Belt Cleaning Systems	17
Belt Guiding Systems	75
Loading Systems	81
Sealing Systems	99
Pulley Lagging Systems	109
<b>HiSafe Systems</b>	<b>133</b>
Adhesives Systems	141





# HiSafe Systems

Due to the constant proximity of large machinery with moving mechanical parts, safety is a key concern on any site. All Metso products are therefore designed for safe use, to protect your operators, the environment and your business. Sealing systems protect operators from inhaling dust, cleaners are made of safe MDI polyurethane and exposed springs are encapsulated – to name just a few examples.

Our HiSafe range was developed to serve a very specific purpose. That is, to provide hand and finger protection at the crucial 'pinch points' where the belt meets the pulley, and so keep LTIF down to a minimum. HiSafe products also prevent material becoming trapped in the gap between the belt and pulley, thus preventing costly equipment damage and unnecessary downtime.

It is also worth noting that much of the equipment installed in plants around the world is now 20-30 years old. It was not originally designed with safety as a priority. With the addition of HiSafe systems, such equipment can be brought up to a more modern standard.

<b>Metso HiSafe Head Pulley Guard</b>	<b>134</b>
<b>Metso HiSafe End Pulley Guard</b>	<b>136</b>
<b>Holdback</b>	<b>138</b>



# Metso HiSafe Head Pulley Guard

---

At the point where the belt meets the roller, there is always a risk of operators or anyone else in the area accidentally getting their fingers or clothes trapped, and potentially suffering serious injuries. Although unlikely, it is also possible that a rock or stone can fall and become trapped between the belt and pulley, causing serious damage to both. Both these issues can be avoided quite simply, by blocking the danger zone with a polyurethane foam barrier, or head pulley guard. Positioned with a 5 mm gap on either side, the guard is not in contact with the belt, but the remaining gap is too small for fingers to get trapped.

#### **Material properties**

Made of polyurethane foam, the guard is gentle on the belt in the event of contact. Polyurethane is more suitable than rubber for this purpose, since it is low friction and therefore does not generate the kind of heat that would wear the belt out over time.

#### **Special features**

Available for different belt widths, this is a standard item and therefore always available in stock. It is easy and convenient to install and can be adapted to fit different pulley lengths or site-specific conditions. What's more, it does not need to be removed during normal conveyor maintenance, which saves time and effort.



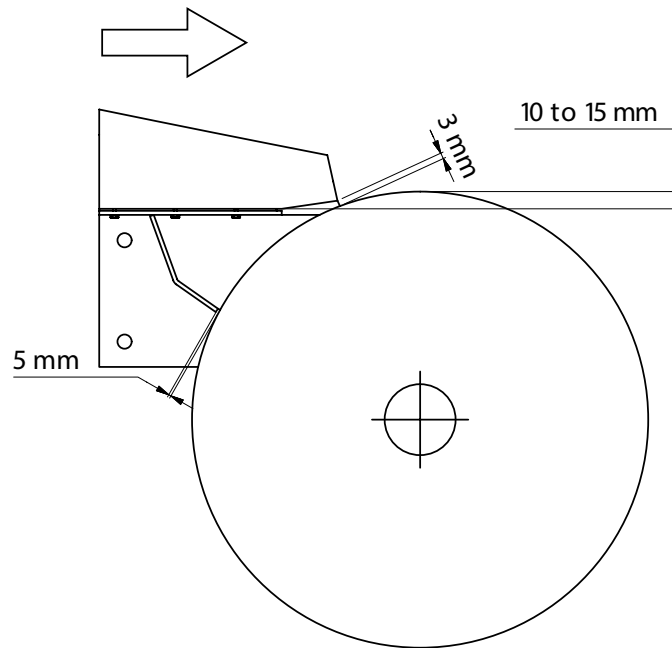
## Technical description

**Material:** Polyurethane blocks

**Belt width:** 500-1400 mm

**Head pulley diameter:** < 650 mm

If >650 mm, please contact Metso



Part No.	Description	Belt width (mm)
MM0370727	Metso Head Pulley Guard <b>SET</b> BW500	500
MM0370728	Metso Head Pulley Guard <b>SET</b> BW650	650
MM0370730	Metso Head Pulley Guard <b>SET</b> BW800	800
MM0370731	Metso Head Pulley Guard <b>SET</b> BW1000	1000
MM0370732	Metso Head Pulley Guard <b>SET</b> BW1200	1200
MM0370733	Metso Head Pulley Guard <b>SET</b> BW1400	1400
MM0370735	Metso Head Pulley Guard <b>SPARES</b> BW500/650	500-650
MM0372256	Metso Head Pulley Guard <b>SPARES</b> BW800/1200	800-1200
MM0372257	Metso Head Pulley Guard <b>SPARES</b> BW1400	1400



# Metso HiSafe End Pulley Guard

---

At the point where the belt meets the tail pulley, there is always a risk of operators or anyone else in the area accidentally getting their fingers or clothes trapped, and potentially suffering serious injuries. It is also possible that stones and debris can become wedged between the belt and pulley, causing serious damage to both. These issues can be avoided quite simply, by blocking the danger zone with a V-shaped polyethylene barrier, or Tail Pulley Guard (TPG).

#### **Material properties**

The guard is in contact with the belt, but being made of low friction polyethylene, it doesn't generate heat and is therefore gentle on the belt.

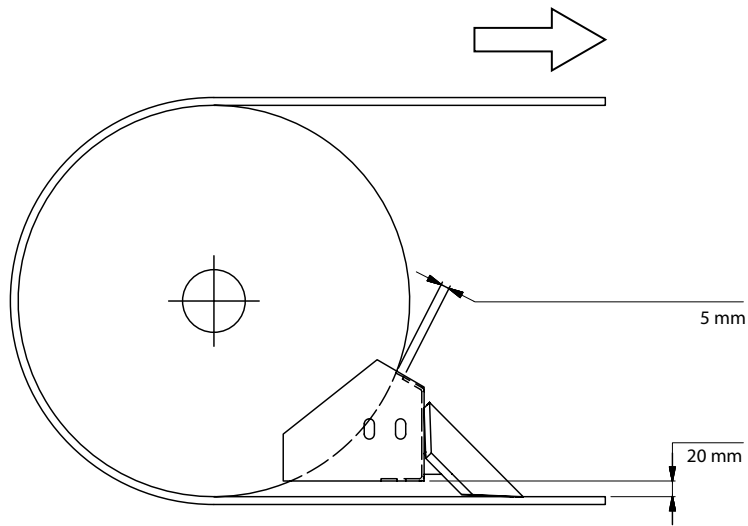
#### **Special features**

Although its primary purpose is to prevent operators' fingers getting injured, the V-shaped TPG also deflects stones like a material plough. It thus extends belt lifespan and minimises the risk of costly downtime. Available for different belt widths, this is a standard item and therefore always available in stock. It is easy and convenient to install and can be adapted to fit different pulley lengths or site specific conditions.

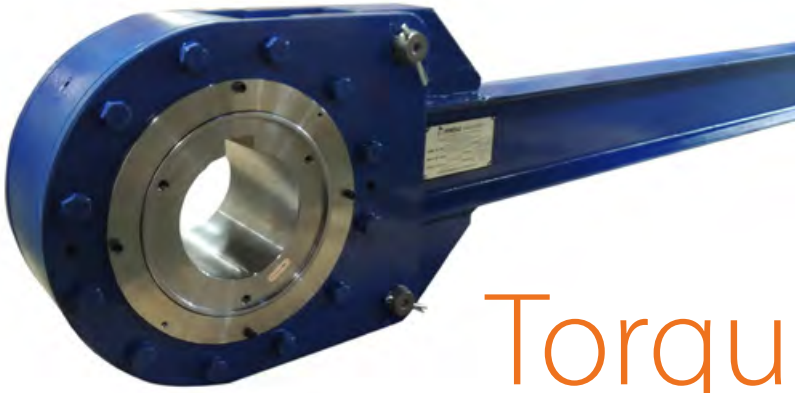
## Technical description

**Material:** Steel and polyethylene

**Belt width:** 500 - 1200 mm



Part No.	Description	Belt width (mm)
MM0370738	END PULLEY GUARD <b>SET</b> BW500	500
MM0370739	END PULLEY GUARD <b>SET</b> BW650	650
MM0370740	END PULLEY GUARD <b>SET</b> BW800	800
MM0370741	END PULLEY GUARD <b>SET</b> BW1000	1000
MM0370742	END PULLEY GUARD <b>SET</b> BW1200	1200
MM0373176	END PULLEY GUARD <b>SET SPARE</b> DEF BW500	500
MM0373178	END PULLEY GUARD <b>SET SPARE</b> DEF BW650	650
MM0373181	END PULLEY GUARD <b>SET SPARE</b> DEF BW800	800
MM0373183	END PULLEY GUARD <b>SET SPARE</b> DEF BW1000	1000
MM0373185	END PULLEY GUARD <b>SET SPARE</b> DEF BW1200	1200



# Torque-Master™ Holdback

By ensuring your conveyor only operates in the desired direction, Metso's New Torque-Master™ Holdback plays a critical role in the safety of your operations. Its reliable non-rollover cam operation prevents reverse runaways of loaded conveyors - effectively protecting against personal injury, flooded feed points, and damaged equipment. Our new Backstop model is based on a proven Cam Clutch design that has been deployed at hundreds of sites around the world. The new series can meet the high speed trend of inclined conveyors as well as it is a easy replacement from customer's current Backstop.

#### **Material properties**

The production facility for Metso holdbacks is quality-controlled and all products are thoroughly tested prior to shipment, ensuring they meet the engineered standard for strength and functionality. With the special flexible labyrinth (Patent pending) seal mechanism for dusty and tough environment, water and dust are effectively blocked.

#### **Special features**

Available in torque ratings from 6760 to 980000 N-m, the Torque-Master™ holdback meets safe load ratings for most inclined belt conveyors, bucket elevators, and similar bulk material-handling applications. Thanks to a simple enclosed design, it is suitable for use in all kinds of environments and relatively insensitive to contamination and wear. The holdback can be mounted in any position and, if necessary, can be rebuilt in the field using stock parts. Special double lip oil seal and multi temperature grease for wide temperature range.



## Technical description

**Torque capacity:** 6760-980000N-m

**Bore range:** 60-465mm

**Ambient temperature range:** -40°C to +65°C  
(-40°F to +149°F)

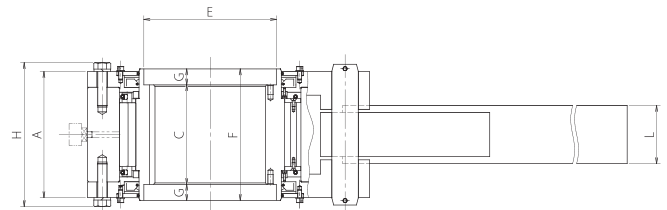
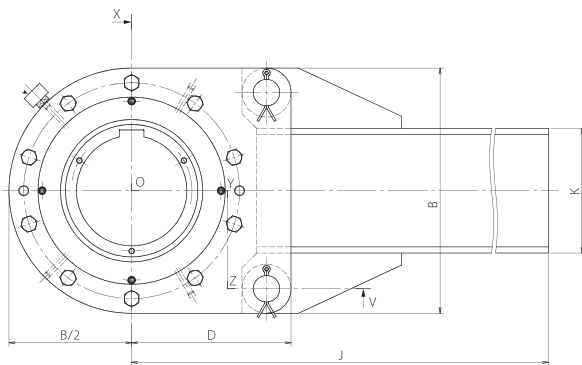
## Installation

**Universal mounting**

**Overrunning speed:** 80-300rpm

**Grease:** Exxon Mobile, Beacon 325 (do not use grease that contains EP additives)

**Shaft tolerance:** Recommended h7 & h8, always use a parallel key



Model No.	Bore		Max. RPM	Torque Capacity (N-m)	A	B	C	D	E	F	G	H	J	K	L
	Min.	Max.													
CC85A	60	85	300	6760	107	210	105	151	106	120	7,5	127	813	76	64
CC95A	70	95	300	8940	107	230	112	161	120	120	4	127	914	102	71
CC115A	80	115	300	16300	127	270	127	181	142	135	4	149	1270	102	71
CC140A	90	140	300	24400	127	320	134	207,5	170	142	4	151	1422	127	76
CC165A	100	165	300	44100	141	360	134	242,5	209	142	4	169	1676	152	91
CC200A	100	200	180	61700	150	430	142	284	251	150	4	178	1829	203	106
CC225A	150	225	150	102000	257	500	203	325	270	268	32,5	293	1981	254	118
CC250A	175	250	135	147000	247	600	229	385	300	272	21,5	283	2083	305	127
CC270A	200	270	125	192000	267	650	254	415	344	280	13	303	2235	305	140
CC300A	230	300	115	345000	278	780	273	490	430	286	6,5	320	2388	381	143
CC360A	250	360	100	489000	292	930	278	585	490	286	4	345	2540	457	152
CC425A	325	425	85	735000	380	1030	396	645	600	404	4	433	2743	508	162
CC465A	350	465	80	980000	410	1090	417	690	600	432	7,5	474	3048	610	184

# Accessories



Belt Cleaning Systems	17
Belt Guiding Systems	75
Loading Systems	81
Sealing Systems	99
Pulley Lagging Systems	109
HiSafe Systems	133
<b>Adhesives Systems</b>	<b>141</b>



# Adhesives Systems

Our goal is to help customers protect their expensive conveying equipment and extend its service life. Metso adhesive systems – consisting of primer and glue, contribute to this ambition by making it possible to securely line vulnerable steel or rubber surfaces with an additional layer of protective rubber.

<b>Trellex Greenbond</b>	<b>142</b>
<b>Trellex Steelprimer P5</b>	<b>144</b>



# Trellex Greenbond

---

Greenbond is a strong, reliable adhesive for gluing rubber to steel or rubber to rubber. When attaching pulley lagging, for example, it is important to have a secure bond between the two materials. Similarly, when you splice a conveyor belt, the splice must be strong and reliable to enable smooth-running, problem-free production.

### Material properties

Greenbond gives a strong bond between any rubber and steel surfaces or even two rubber surfaces. When rubber is glued down with Greenbond, it adheres tightly to the contact surface, thereby minimising damage to your capital equipment.

### Special features

Greenbond is free from trichloroethylene and its associated health risks.



## Technical description

**Material:** Polychloroprene rubber

**Solvents:** Ethyl acetate/naphtha/acetone

**Density:** 0.8g /cm<sup>3</sup>

**Colour:** Black

**Pot life:** Approx. 3-5 hours

**Consumption:** 0.35 l/m<sup>2</sup>

**Shelf life:** 18 months at room temperature, after date of production



## Application

- Rubber to rubber
- Rubber to metal (Optimally with Trellex Steelprimer P5)
- Cold-repairing fabric ply or steel cord belts
- Cold-splicing fabric ply belts

## Practical tips for use

- To avoid crystallisation of the chloroprene in the rubber compound, be sure to store the solution above 6 °C. It is also important to warm up the Trellex Greenbond to room temperature before using it in order to maximise bond strength.
- We recommend you wait at least 24 hours before restarting your conveyor since that is when full bond strength is reached.
- The drying time varies according to factors such as humidity and air temperature.
- Trellex Greenbond is highly flammable and must not be used underground or in closed spaces.
- Trellex Greenbond can also be used with grease- and heat-resistant belts.

Part No.	Description	Weight (kg)
2322040	TRELLEX ADHESIVES GREENBOND (0,8 L) INCL. HARDENER	0,7
2322041	TRELLEX ADHESIVES HARDENER GB (40GR)	0,1
2322042	TRELLEX ADHESIVES GREENBOND (0,8L)	0,6



# Trellex Steelprimer P5

---

Trellex Steelprimer P5 is to be used between rubber and metal before cold-bonding. Trellex Steelprimer P5 improves the adhesion between rubber and metal and also protects the metal surface from rust.

## **Material properties**

To get a good bonding surface, there is no substitute for this tried and tested steel primer. P5 was developed to work optimally with Greenbond adhesive. When the two products are used together the result is a bond with the absolute maximum strength.

## Technical description

Density: 0.85 g/cm<sup>3</sup>

Colour: Black

Consumption: 0.20 l/m<sup>2</sup>



### Application

- Rubber to metal

### Practical tips for use

- Trellex Steelprimer is highly flammable and must not be used underground or in closed spaces.
- The steel surface can be prepared (sandblasted, cleansed and primed) in advance as long as it is protected from dust and dirt while waiting to be glued.

Part No.	Description	Weight (kg)
2322060	TRELLEX ADHESIVES STEELPRIMER P5 (0.75 L)	0.7

Regardless of the conditions, our conveyor belts keep your material moving







# Conveyor Belts

When it comes to conveyor belts there is no room for compromise. The belt is at the heart of your operations and the key to its profitability.

## Conveyor Belts:

Trellex Textile Belts	150
Trellex Flexopipe Belts	152
Trellex Flexocord Belts	154
Trellex Sidewall Belts	156
Trellex Escort Belts	158
Trellex Aramid Belts	160

# Conveyor Belts

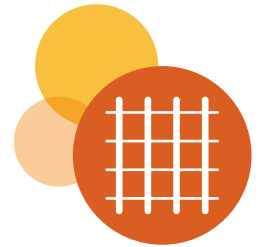
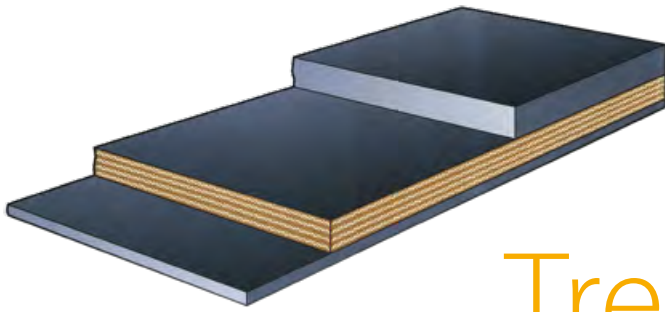
---

Metso offers a comprehensive range of conveyor belts and a choice of cover grades. They are engineered from the best-quality materials available and designed for high performance, cost-effectiveness and safety. However, the biggest advantage for our customers lies not in the belts themselves, but in our application knowhow. When you choose Metso as your supplier, you buy into more than 100 years of experience of designing and delivering conveying solutions for almost any conceivable application and in any configuration.

Once we know the parameters for your operation such as conveying capacity, lump size, etc., we can tailor a solution based on your total conveyor needs. It is a single solution from a single supplier to ensure that all the parts fit together safely and perform together optimally. That's what makes Metso and the brand name Trellex the most trusted in conveyors the world over.

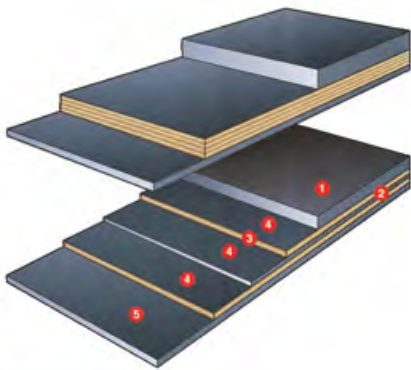






# Trellex Textile Belts

Used principally for heavy-duty, abrasive materials, textile belts are a more cost-effective option for shorter conveying distances and lower capacities than steel cord belts.



## Structure

1. Top cover
2. Carcass
3. Textile reinforcement
4. Rubber skim coat
5. Bottom cover

Belt type	Cover thickness (mm)		Thickness (approx.) (mm)	Weight approx. (kg/m <sup>2</sup> )	Belt width approx. (mm)
	Top	Bottom			
EP 160/2	2	1	4.6	5.6	300 - 1300
EP 200/2	2	1.5	5.6	6.4	300 - 1400
EP 250/2	3	1	6.3	7.7	400 - 1600
EP 250/2	3	1.5	6.8	8	400 - 1400
EP 315/2	4	1.5	7.9	9.4	500 - 1600
EP 315/3	3	1.5	7.3	8.2	800
EP 400/2	3	1	6.7	8.5	650 - 1600
EP 400/2	5	1.5	9.4	11.3	650 - 1600
EP 400/3	3	1	6.8	8.2	400 - 1000
EP 400/3	4	2	8.8	10.4	500 - 1200
EP 500/3	5	1.5	9.4	11.1	600 - 1600
EP 500/4	3	1	7.8	9.4	1000 - 1200
EP 500/4	4	2	9.8	11.6	1200 - 1400
EP 500/4	5	2	10.8	12.8	650 - 1000
EP 500/4	6	2	11.8	13.9	800
EP 630/4	5	2	11	13	2000 - 2400
EP 630/4	6	2	12	14.1	800 - 1200
EP 630/4	8	3	15	17.7	1000 - 1400
EP 630/5	5	1.5	11.3	13.5	800 - 1200
EP 800/5	6	2	12.8	16	1000 - 1200





### Reinforcement properties

The belt comprises a number of layers of synthetic fabrics specially treated to ensure low elongation (1 to 3.5%) and good adhesion to rubber. The length wise threads (warp) are polyester while the cross wise ones (weft) are polyamide. This plain-woven combination ensures a high tensile strength-to-weight ratio, excellent flexibility and outstanding troughing properties, as well as high resistance to impact, and chemicals.

Other thread materials and different weaves are available on request.

### Cover grades

Various cover grades can be supplied, and they are all made of high-quality rubber with extremely high resistance to abrasion, shearing and impact and excellent ageing properties. Your choice of cover grade depends on the intended application. Note that the working life of the belt is also determined by the application.

### Wear resistant

Available in X, Y, W grades for heavy-wear conveying applications such as bulky, sharp materials like heavy, abrasive rocks. Can handle abrasion, wear, impact and other kinds of heavy-duty wear. High-quality cover grades are recommended to offer the best protection for the belt carcass.

### Heat resistant

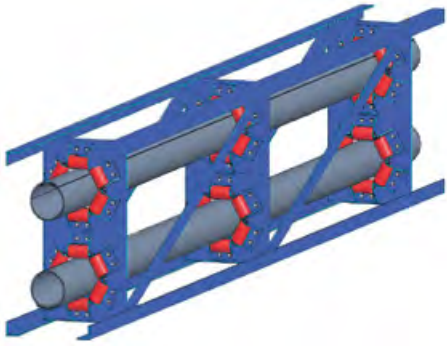
Different types of grades are available for high-temperature applications (T120 and T200) such as clinker, coke, foundry sand and slag. Can be used for transporting material at continuous temperatures of up to 190 °C, with peaks of up to 200 °C.

### Flame resistant

Available in flame-resistant configuration to meet safety category EN 12882 for above-ground operations and EN14973 for underground applications.

Grade	ISO	DIN	Characteristics (example)
X	H	X	Wear-resistant, heavy-duty cover for sharp and lumpy material, or extreme drop heights
Y	L	Y	Wear-resistant cover for standard applications
AA, W	D	W	Wear-resistant cover, for fine and abrasive material
Y-30	D	Y, W	Extremely wear-resistant cover, for fine and abrasive material

Contact your Metso expert for more information and advice regarding the best choice of belt and cover grade for your operation.



# Trellex Flexopipe<sup>®</sup> Belts

Used for enclosed material transport. After loading in the conventionally troughed belt, the belt is formed into a pipe shape with overlapped belt edges. The material is then completely enclosed by the belt. A key advantage of Flexopipe Belts is their highly flexible design, which means they can be built to follow the contours of any landscape. Also, being spillage-free, they are ideal for transporting materials such as municipal waste, ash, limestone or shredded tyres, which might otherwise present an environmental hazard. As a rule of thumb, the size of lumps can be a third of the pipe diameter (i.e. from 150 mm to 550 mm).

#### Material properties

Made of high-tensile steel cords or textile reinforcements depending on the application, and available in various cover grades. Your choice of cover grade depends on the intended application. Note that the working life of the belt is also determined by the application.

Enclosed transport of hot material does not allow heat exchange to the atmosphere, therefore material temperatures must be lower than in conventional installations.

#### Special features

A Flexopipe belt enables a more flexible design than traditional types of conveyor belts. Various configurations (convex and concave curves, vertical lifts, etc.) help reduce the number of transfer points leading to smooth treatment of the material and a reduction in installation and operating costs.

This method of conveying contributes to safe, clean and spillage-free material transport, which helps protect the environment and keep maintenance costs low. It also protects your material from external conditions such as snow, rain, wind and dust.



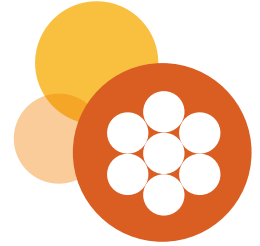
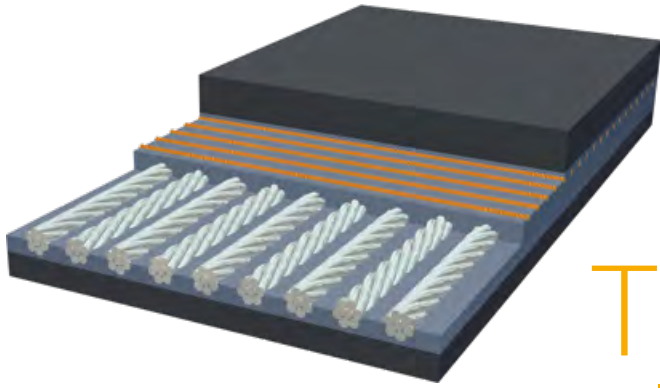
Characteristics of the system	Requirement for the belt	Flexopipe solution
Flexible and adaptive conveyor configuration	<ul style="list-style-type: none"> <li>Individual belt design for every application</li> <li>Wide selection of reinforcement types</li> </ul>	<ul style="list-style-type: none"> <li>Tailor-made belt construction with specially developed reinforcements and rubber compounds</li> <li>Belt types: Steelcord, Aramid, EP, P</li> </ul>
Closed belt	<ul style="list-style-type: none"> <li>Sufficient troughability to fit into hexagon</li> <li>Tight overlapping</li> </ul>	<ul style="list-style-type: none"> <li>Unique carcass design with tailored rigidity, more flexible at belt edges to ensure tight overlapping</li> </ul>
Horizontal and vertical curves	<ul style="list-style-type: none"> <li>Sufficiently elastic reinforcement</li> <li>Stable pipe shape</li> </ul>	<ul style="list-style-type: none"> <li>Reinforcement with higher lengthwise elasticity for installation with tight curves</li> <li>Sufficient crossrigidity to maintain pipe cross-section</li> </ul>
High dynamic stress	<ul style="list-style-type: none"> <li>Fatigue-resistant belt</li> </ul>	<ul style="list-style-type: none"> <li>Rubber compounds with excellent dynamic properties and improved ozone/UV resistance</li> </ul>
Suitable for all bulk materials	<ul style="list-style-type: none"> <li>Broad selection of cover grades</li> </ul>	<ul style="list-style-type: none"> <li>Complete range of cover grades: anti-abrasive, heat-, oil-, grease- and flame-resistant, food (FDA), etc.</li> </ul>

## Cover grades

Grade	ISO	DIN	Characteristics (examples)	Applications (examples)	Elastomer	Temperature (material) °C		
						min.	max.	peak
XP	H	X	Wear-resistant, heavy-duty cover for sharp and lumpy material, or extreme drop heights	Ore, rock, limestone	NR / BR	-40	50	
YP	L	Y	Wear-resistant cover for standard application	Coal, gravel, sand, fertiliser, limestone	SBR	-30	50	
Y-30	D	Y, W	Extremely wear-resistant cover, for fine and abrasive material	Cement, gypsum, abrasive sands	NR / BR	-30	50	
TXT	L	T, Y	Wear- and heat resistant cover for coarse material	Cast iron, coke	SBR	-15	100	130
RET		T, C	Wear-resistant cover with excellent heat resistance	Cement, clinker, ash	EPM	-30	150	170
GPP		G	Oil- and grease-resistant cover	Wood chips, grain	NBR / SBR	-25	50	
SP100		S, Y	Flame-resistant and anti-abrasive acc. to ISO 340	Coal, coke, fertiliser	SBR	-25	50	
GAK		G, A, K	Grease- and flame-resistant cover, white, for food (FDA)	Sugar, paper, grain, flour, malt	NBR	-15	60	

All covers are antistatic

Contact your Metso expert for more information and advice regarding the best choice of belt and cover grade for your operation.



# Trellex Flexocord Belts

These highly wear-resistant conveyor belts are used principally for long-haul conveying, heavy loads and physically demanding applications. In other words, they are suitable for high-mass or high-volume flows and for abrasive materials.

## Reinforcement properties

Made of high-tensile steel cords and various cover grades (see below). A typical carcass with 7 x 7 hot-galvanised steel cords provides a tensile strength of up to 2,000 N/mm.

Also available as 7 x 19 for higher tensile strength (6,300 N/mm). Standard cords have an elongation of 0.22 - 0.28%. High structural strength and pull-out strength ensure good resistance against fatigue. The open cross-lay design of the cords and the chemical adhesive system ensure that the core rubber penetrates thoroughly, bonds well and protects against corrosion for long-term integrity.

Specification		St 500	St 630	St 800	St 1000	St 1250	St 1400	St 1600	St 1800	St 2000	St 2250
Operating tension	N/mm	75	90	110	140	175	200	225	255	285	320
Cord diameter standard	mm	2.7	2.8	3.1	3.7	4.2	4.4	4.7	5.1	5.5	5.7
Cord diameter max.	mm	3.0	3.0	3.5	4.0	4.5	4.8	5.0	5.5	6.0	6.2
Cord strength, min.	kN	6.9	6.9	8.8	13.2	16.5	18.5	21.1	24.2	26.4	30.0
Cord pitch	mm	12.0	10.0	10.0	12.0	12.0	12.0	12.0	12.0	12.0	12.0
Minimum cover thickness	mm	4/4	4/4	4/4	5/5	5/5	6/6	8/6	8/6	8/6	8/6
Belt weight, min. covers	kg/m <sup>2</sup>	15.7	16.5	17.6	21.6	23.0	25.2	29.0	30.2	31.5	32.3

Specification		St 2500	St 2800	St 3150	St 3500	St 4000	St 4500	St 5000	St 5400	St 5800	St 6300	St 6700
Operating tension	N/mm	355	400	450	500	570	645	715	760	830	900	950
Cord diameter standard	mm	6.8	7.3	7.6	8.0	8.6	9.1	10.5	10.8	11.5	12.0	12.7
Cord diameter max.	mm	7.2	7.8	8.1	8.6	8.9	9.7	10.9	11.3	11.8	12.3	13.0
Cord strength, min.	kN	41.2	46.0	51.9	57.1	66.0	79.2	93.5	101.0	109.0	118.0	133.0
Cord pitch	mm	15.0	15.0	15.0	15.0	15.0	16.0	17.0	17.0	17.0	17.0	18.0
Minimum cover thickness	mm	8/6	8/6	8/8	8/8	8/8	8/8	8.5/8.5	9/9	10/10	12/10	12/10
Belt weight, min. covers	kg/m <sup>2</sup>	33.9	36.0	39.8	41.8	45.5	46.7	54.0	55.7	62.2	67.5	70.6





### Cover grades

The belts come with various cover grades, all made of high-quality rubber with extremely high resistance to abrasion, cutting and impact and with excellent ageing properties. The choice of cover grade will depend on the application and will also determine the working life of the belt.

#### • Wear-resistant

Available in X, Y, W grades for heavy-wear conveying applications such as bulky, sharp materials like heavy, abrasive rocks. High-quality cover grades are recommended to offer the best protection to the belt carcass.

#### • Heat-resistant

For high-temperature applications (T120) such as clinker, coke, foundry sand and slag. Can be used for transport of material at continuous temperatures of up to 120 °C.

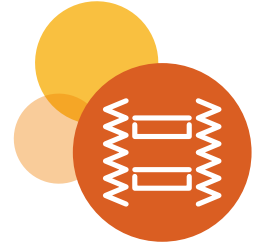
#### • Flame-resistant

Available in flame-resistant grade K to comply with ISO 340. Can be used in tunnel projects but not underground applications.

Contact your Metso expert for more information and advice regarding the best choice of belt and cover grade for your operation.

Grade	Tensile strength min. N/mm	Elongation at break min. %	Abrasion max. mm <sup>3</sup>	Characteristics and applications
<b>Wear-resistant</b>				
X	25	450	120	Heavy-duty cover for coarse and sharp material Resistant against impacts and cuts. Complies with: X (DIN), RMA1, H (ISO), M (AS), M24 (BS)
Y	20	400	150	Wear-resistant cover for normal operating conditions Complies with: Y (DIN), RMA 1&2, L (ISO), N (AS), N17 (BS)
W	18	400	90	Cover with excellent resistance against erosive wear For small-sized, abrasive material Complies with: W (DIN), RMA 1&2, D (ISO)
<b>Flame-resistant</b>				
K	20	400	200	Abrasion-resistant cover with flame-resistant characteristics according to ISO 340
VT	17	350	175	Cover with fire-resistant properties according to DIN
<b>Heat-resistant</b>				
T120	15	400	175	Heat-resistant, abrasion-resistant cover for temperatures up to 120 °C

Contact your Metso expert for more information and advice regarding the best choice of belt and cover grade for your operation.



# Trellex Side Wall Belts

When you need to transport material at steeper angles than is possible with conventional conveyor belts, Metso Sidewall belts are the way to go. Their cross-stiff base belt and corrugated rubber sidewalls combine with a variety of different-sized cleats to ensure your material stays in place. Eliminating the need for material transfers, Metso Sidewall belts offer you a space- and energy- efficient way to transport material at up to 90° angles.

## Material properties

The base belt and cross-reinforcements can be made of either textile fabrics\* or steel cords, depending on the level of belt cross-rigidity and strength your application demands. The sidewalls are made of a high-strength rubber compound, so the belt is tough enough to handle all kinds of materials. The cleats are made of abrasion-resistant rubber compounds and come in a large range of shapes and sizes to match the conveying capacity of your application. To ensure better stability, all sidewalls over 120 mm and cleats over 140 mm high are reinforced with fabric.

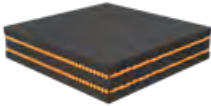
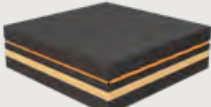


Our Sidewall belts are assembled by hot-vulcanization, ensuring that all parts of the belt are bonded in the same process. Should the assembly process demand greater flexibility, cold-bonding with a high-strength bond is also an option. In both cases, the cleats are bolted to the sidewalls. In some cases the cleats can be bolted to the sidewalls depending on the cleat shape and size.

## Special features

Several features make Metso Sidewall belts an economical and environmentally-friendly choice. They prevent spillage at steep angles, thereby reducing material waste. They are also very hardwearing, which reduces maintenance work and lengthens the time between replacements. Enabling conveying at steep angles, they save space on your site. And crucially, since conveying distances can be shortened, our Sidewall belts reduce energy consumption.

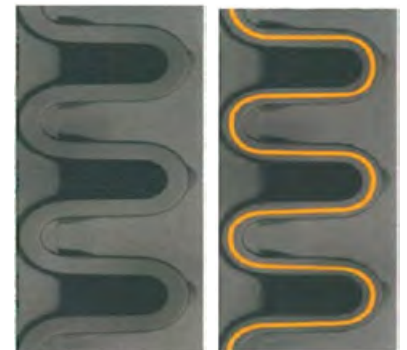
\* Note that textile fabric is not an option for high-strength belts

## Cross-rigid base belts

Type	Cross-section	Tensile strength [N/mm]	Cover type	Number of plies	Cover thicknesses [mm]	Weight [kg/m <sup>3</sup> ]	Min. pulley dia. [mm]
XE		200	Antiabrasive Heat resistant	2	2:2	9,8	200
XOE		315	Antiabrasive	2 + 1	4:2	11,3	315
		500	Oil resistant	3 + 1	4:2	13,2	400
		630	Antiflame	4 + 1	4:2	14,9	500
		800		5 + 1	4:2	17,8	630
XSt		1000		6 + 1	5:3	22,0	800
		1250	Antiabrasive	-	6:6	25,3	630
		1600	Heat resistant		7:7	29,0	800
		2000	Antiflame		8:8	33,8	1000
2500		8:8	36,2		1000		
XDE		3150		8:8	8:8	39,8	1250
		315	Antiabrasive	2 + 2	4:3	13,7	315
		500	Oil resistant	3 + 2	4:3	15,5	400
		630	Antiflame Heat resistant	4 + 2	4:3	17,3	500

## Sidewalls

Sidewall type	Height [mm]	Width [mm]	Base width [mm]	Pitch [mm]	Weight [kg/m]	Min. pulley dia. [mm]
N	80	44	50	42	1,6	200
	100	44	50	42	1,8	250
S	120	66	75	63	3,1	315
	160	66	75	63	4,1	400
	200	66	75	63	5,1	500
	240	66	75	63	6,1	630
	280	66	75	63	7,9	700
	300	66	75	63	8,3	800
ES	300	88	100	84	12,0	800
	400	88	100	84	16,0	1000



## Sidewalls

Type	T75	T110	Type	TC280	TC360	
	Height [mm]	75	110	Height [mm]	280	360
	Weight [kg/m]	1,65	2,20	Weight [kg/m]	18,5	22,0
	Min. pulley dia. [mm]	200	300	Min. pulley dia. [mm]	700	700
Type	TC10	TC140	TC180	TC220	TC260	
	Height [mm]	110	140	180	220	260
	Weight [kg/m]	2,6	5,5	7,0	8,0	10,2
	Min. pulley dia. [mm]	350	370	450	500	600



**NEW!**

# Trellex Escort belts

A flat conveyor belt works fine when conveying material up to a certain angle. However, when the conveying angle gets too steep, material may start to slide off. That's when you need one of Metso's Escort belts. Thanks to their cleated surface, they effectively keep loose material in place, even at steep angles.

#### **Material properties**

The cleat profiles on our Escort belts are made of the same rubber as the covers and are therefore as wear resistant and durable as the belt itself.




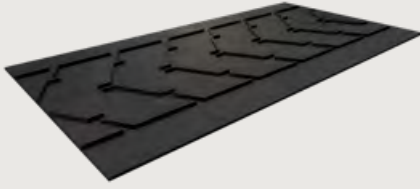

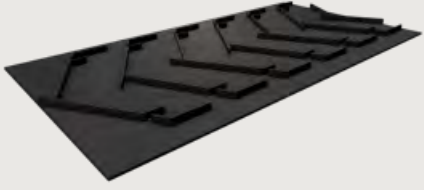


To keep the surface of the belt clean while avoiding damaging its profile, we recommend a Trellex ABC-BRUSH. Made of high-quality, hardwearing nylon, this type of brush is ideal for cleated belts.

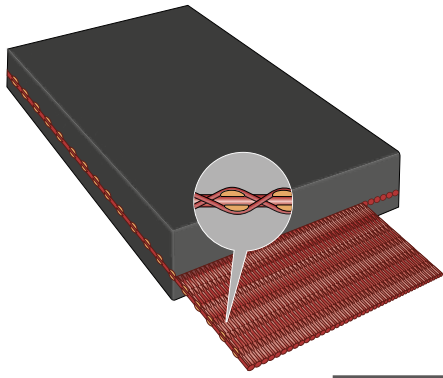
#### **Special features**

Although most commonly used in the aggregate and construction segment, our range of Escort belts is flexible enough to meet the needs of many different applications. Their cleats can be V- or U- shaped with an open or closed structure and cleat heights range between 5mm and 32mm. If in doubt, Metso's experts are on hand to help you select the correct cleat type and height for your application.



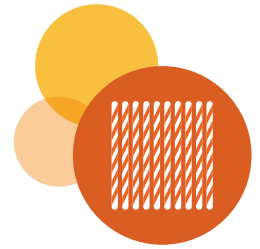
## Escort cleat profiles

	Type	Cleat height (mm)	Cleat width (mm)	Cleat pitch (mm)	Belt width (mm)
	CV, full width	5; 10	Full belt width	100	300-1200
	CV, closed	15	330; 450	250; 300	400-1200
	CV, open	15	385; 600; 750	250	450-1200
	CP, open	17	300; 440; 550; 630; 750; 950	330	400-1400
	CP, open & closed	25	450; 550; 750	330	500-1200
	CP, open	32	580; 630; 750	330	700-1400
	U, closed	15; 32	550; 700	350; 400	650-1200
	Multi-V, full width	6	Full belt width	76	500-2000



NEW!

# Trellex Aramid Belts



Long lasting, energy saving Trellex Aramid conveyor belts are suitable for a broad range of applications. They combine strong, light reinforcement with a variety of cover materials - wear, flame resistant and heat resistant - to ensure your belt is not only resistant to fatigue but also corrosion, rot and chemicals. Transition distances, pulley diameters and curve radii all have an impact on performance. Let our experts guide you to the right product for your operations.

## Material properties

Trellex Aramid Conveyor Belts are reinforced with Aramid fibers. The resulting material is as light as other synthetic fibers like Polyester or Polyamid, but as strong as steel. It has low elongation, no creep and excellent resistance against heat and chemicals. Tensile strengths range from 500 to 2500 N/mm.

The straight-warp fabric contains transverse polyamide cords to protect the Aramid cords from both sides. As there is a single fabric ply only, the carcass is light and flexible with optimum strength utilization. Additional polyamide breakers can be supplied to protect the fabric against rips or heavy impacts. Top and bottom cover meet high demands on wear and impact resistance, providing the optimum protection for the valuable Aramid.

## Special features

Installing a light weight Trellex Aramid conveyor belt substantially reduces your conveyor's power consumption. For further savings, choose a low-energy compound as bottom cover and combine with ESI idlers (see Metso Components).

Convenience is another key feature. Thanks to lower belt weight and thickness, you get more length per roll, allowing for long production runs. Splicing is straightforward. Use a finger splice, ideally with Trellex splicing material, to join Aramid types belts. No special tools are needed.



### Low-elongation straight-wrap fabric

Designation Belt strength N/mm	Max. working tension N/mm	Modulus of elasticity kN/mm	Weight of carcass kg/m <sup>2</sup>	Thickness of carcass mm	Covers standard mm	Belt weight* kg/m <sup>2</sup>
DP 500	63	23	2.9	2.5	6 + 2	11.7
DP 630	80	27	3.0	2.6	6 + 2	11.8
DP 800	100	31	3.2	2.7	6 + 2	12.0
DP 1000	125	37	4.0	3.5	6 + 2	12.8
DP 1250	160	44	4.1	3.6	6 + 2	16.2
DP 1400	175	49	4.3	3.7	8 + 3	16.4
DP 1600	200	54	4.4	3.8	8 + 3	16.5
DP 1800	225	60	4.8	4.2	8 + 3	16.9
DP 2000	250	66	5.2	4.5	8 + 3	17.3
DP 2500	315	80	5.8	5.0	8 + 3	17.9

\* Standard covers, grade X

### Low-elongation straight-wrap fabric

Flexocord® grade	Tensile strength min. N/mm	Elongation at break min %	Abrasion max. mm <sup>3</sup>	Characteristics and Application
<b>Wear resistant</b>				
X	25	450	120	Heavy duty cover for coarse and sharp materials Resistant against impacts and cuts. Complies with: X (DIN), RMA1, H (ISO), M (AS), M24 (BS)
Y	20	400	150	Wear resistant cover for normal operating conditions Complies with: Y (DIN), RMA 1&2, L (ISO), N (AS), N17 (BS)
W	18	400	90	Cover with excellent resistance against erosive wear For small-sized, abrasive materials Complies with: W (DIN), RMA 1&2, D (ISO)
UAR	18	400	50	Ultra abrasive resistant cover.
UAR25	18	400	25	Ultra abrasion resistant cover with max. abrasion of 25mm <sup>3</sup>
<b>Flame resistant</b>				
K	20	400	150	Abrasion resistant cover with flame resistant characteristics according to ISO 340
VT	17	350	175	Cover with fire resistant properties according to DIN, vt
<b>Heat resistant</b>				
T120	15	400	175	Heat resistant, abrasion resistant cover for temperatures up to 120°C
T200	10	350	180	High heat resistant cover for max. material temperatures of 180°C.
MOR	14	400	200	Oil- and grease resistant cover



We pride ourselves  
on making sure you  
get just the right  
solution for the job







# Conveyor Components

What sets us apart is our ability to provide a solution that meets your needs, along with quality products that have been tried and tested in almost every imaginable application. We pride ourselves on making sure you get just the right solution for the job – a prerequisite for any sustainable solution.

Thanks to a well developed supply chain, Metso is able to offer a full range of conveyor components capable of meeting all national or regional standards.

## GLOBAL ROLLERS

Global Roller Nomenclature	165
Tube Design	166
Spindle Design	166
Steel Rollers MCC	168
Impact Rollers	180
Rubber Disc return rollers	184

## CEMA ROLLERS AND IDLERS

Overview	190
Application	192
CEMA Roll and Idler Nomenclature	193
Idlers – CEMA C	194
Idlers – CEMA D	204
Idlers – CEMA E	214
Rolls – CEMA C	224
Rolls – CEMA D	227
Rolls – CEMA E	230

## PULLEYS

234



### Maximum speed and roller revolutions

Shows the relationship between the maximum belt speed, the roller diameter and its relative numbers of revolutions.

Roller diameter mm	Belt speed m/s	rpm n
50	1.5	573
63	2.0	606
76	2.5	628
89	3.0	644
102	3.5	655
133	5.0	718
159	6.0	720
194	7.0	689

### Recommended roller diameter

The correct choice of diameter must take into account the belt width. This table indicates our recommended roller diameters for various belt widths and speeds.

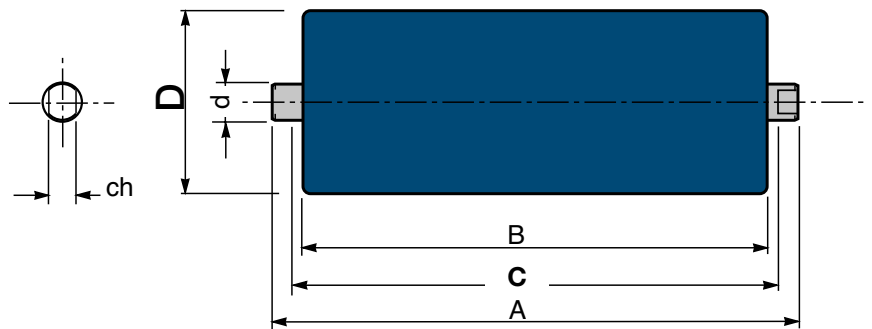
Belt width mm	≤ 2 m/s Ø roller mm		For speed 2-4 m/s Ø roller mm				> 4 m/s Ø roller mm	
500	89		89					
650	89		89	108				
800	89	108	89	108	133	133		
1000	108	133	108	133		133	159	
1200	108	133	108	133	159	133	159	
1400	133	159	133	159		133	159	
1600	133	159	133	159	194	133	159	194
1800	159	159	194	159	194			
2000	159	194		159	194		159	194
≥ 2200	194			194			194	

Where more diameters of roller are indicated the choice will be made in relation to the lump size or material and to the severity of plant conditions.

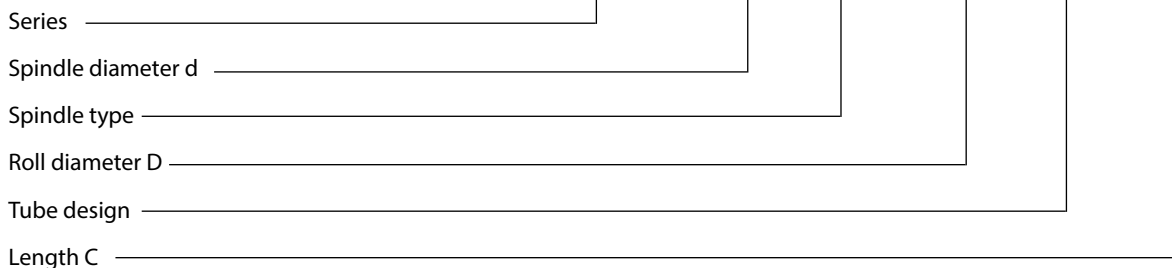
# Global Roller Nomenclature

## The rollers are identified to indicate:

- The series and type
- The spindle: standard design or according to the basic abbreviation which corresponds to the required design.
- Roller diameter and the abbreviation according to the basic design or to supplementary abbreviations.
- Roller length C



## Example



\* Note: Always specify the dimension of "ch".

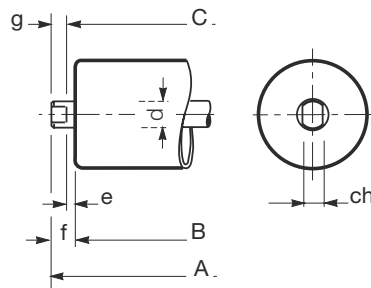
# Tube Design

Basic Abbrev.	Description
ST	Steel
SS	Stainless steel
IM	Flat rubber rings for impact rollers
RD	Pointed rubber rings for flat return rollers
VR	Rubber rings for V>Returns

# Spindle Design

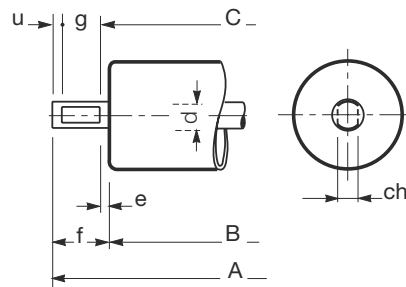
## F with flats

d =	20	25	30	40
ch =	14	18	22	32
e =	4	4	4	4
g =	9	12	12	12
f =	13	16	16	16



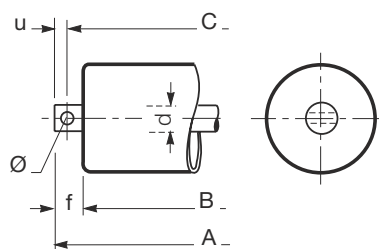
## Y with international flats

d =	15	20	25	40
ch =	11	14	18	32
e =	4	4	4	4
g =	5	8.5	11.5	11.5
u =	4	4	4	4
f =	13	16.5	19.5	19.5



## K with hole

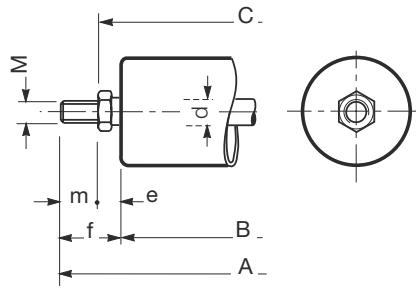
d =	15	20	25	30	40
u =	7	10	12	16	16
f =	17	24	28	36	38
∅ =	6.3	8.3	10.3	14.5	16.5





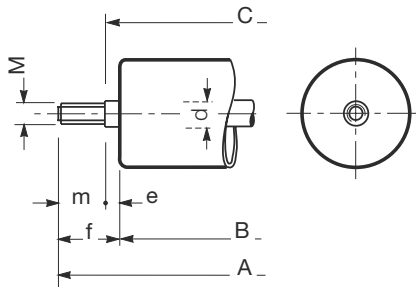
### L threaded with nuts

d	=	15	20	25	30
e	=	16	16	17	18
m	=	25	27	26	30
f	=	41	43	43	48
M	=	14	16	20	24



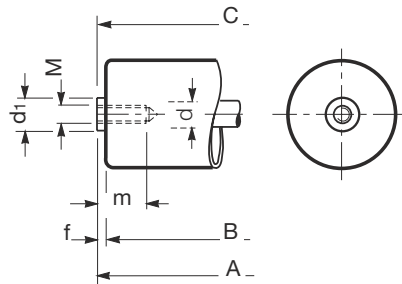
### M projection threaded

d	=	15	20	25	30
e	=	8	8	8	8
m	=	33	35	35	40
f	=	41	43	43	48
M	=	14	16	20	24



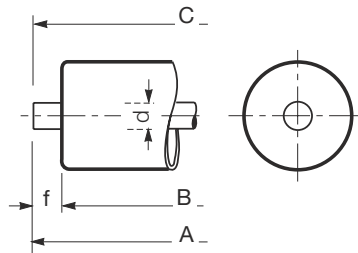
### R with internal thread

d	=	15	20	25	30	40
d <sub>i</sub>	=	20	20	25	30	40
f	=	8	13	16	16	16
m	=	18	20	25	25	25
M	=	10	12	16	16	16

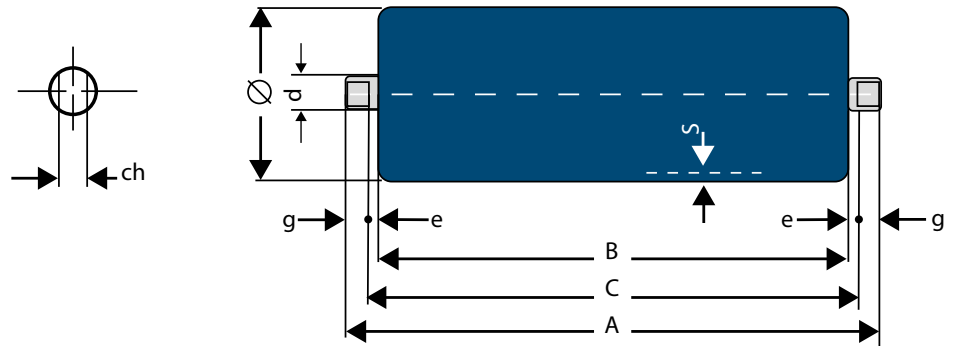


### S plain

d	=	15	20	25	30	40
f	=	13	13	13	16	16



# Steel Rollers MCC 1



## Ø 63

Bearing 6204  
(20 x 47 x 14)

d = 20

ch = 14

s = 3

e = 4

g = 9

Belt			Roller			
Width mm			Dimensions mm			Weight kg
Arrangements			B	C	A	Total
		400	160	<b>168</b>	186	<b>1.8</b>
		300	200	<b>208</b>	226	<b>2.1</b>
		400	250	<b>258</b>	276	<b>2.4</b>
		500	315	<b>323</b>	341	<b>2.9</b>
300	650	1000	380	<b>388</b>	406	<b>3.3</b>
	800	1200	465	<b>473</b>	491	<b>3.9</b>
400			500	<b>508</b>	526	<b>4.1</b>
500	1000		600	<b>608</b>	626	<b>4.8</b>
	1200		700	<b>708</b>	726	<b>5.5</b>
650			750	<b>758</b>	776	<b>5.0</b>
800			950	<b>958</b>	976	<b>7.3</b>
			1150	<b>1158</b>	1176	<b>8.7</b>
1200			1400	<b>1408</b>	1426	<b>10.4</b>

## Ø 89

Bearing 6204  
(20 x 47 x 14)

d = 20

ch = 14

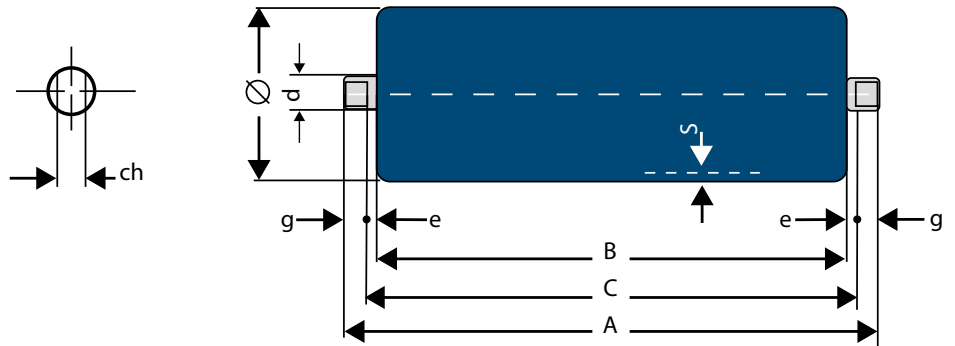
s = 3

e = 4

g = 9

Belt			Roller			
Width mm			Dimensions mm			Weight kg
Arrangements			B	C	A	Total
		400	160	<b>168</b>	186	<b>2.2</b>
		300	200	<b>208</b>	226	<b>2.5</b>
		400	250	<b>258</b>	276	<b>3.0</b>
		500	315	<b>323</b>	341	<b>3.6</b>
300	650	1000	380	<b>388</b>	406	<b>4.1</b>
	800	1200	465	<b>473</b>	491	<b>4.9</b>
400			500	<b>508</b>	526	<b>5.2</b>
		1400	530	<b>538</b>	556	<b>5.5</b>
500	1000		600	<b>608</b>	626	<b>6.1</b>
	1200		700	<b>708</b>	726	<b>7.0</b>
650			750	<b>758</b>	776	<b>7.4</b>
	1400		800	<b>808</b>	826	<b>7.9</b>
800			950	<b>958</b>	976	<b>9.2</b>
1000			1150	<b>1158</b>	1176	<b>11.0</b>
1200			1400	<b>1408</b>	1426	<b>13.2</b>
1400			1600	<b>1608</b>	1626	<b>15.0</b>

# Steel Rollers MCC 1



## Ø 108

Bearing 6204  
(20 x 47 x 14)

d = 20

ch = 14

s = 3

e = 4

g = 9

Belt			Roller			
Width mm			Dimensions mm			Weight kg
Arrangements			B	C	A	Total
		400	160	<b>168</b>	186	<b>2.7</b>
		300	200	<b>208</b>	226	<b>3.2</b>
		400	250	<b>258</b>	276	<b>3.8</b>
		500	315	<b>323</b>	341	<b>4.5</b>
300	650	1000	380	<b>388</b>	406	<b>5.3</b>
	800	1200	465	<b>473</b>	491	<b>6.2</b>
400		1400	500	<b>508</b>	526	<b>6.6</b>
			530	<b>538</b>	556	<b>7.0</b>
500	1000		600	<b>608</b>	626	<b>7.8</b>
	1200		700	<b>708</b>	726	<b>8.9</b>
650			750	<b>758</b>	776	<b>9.5</b>
	1400		800	<b>808</b>	826	<b>10.1</b>
800			950	<b>958</b>	976	<b>11.8</b>
1000			1150	<b>1158</b>	1176	<b>14.1</b>
1200			1400	<b>1408</b>	1426	<b>17.0</b>
1400			1600	<b>1608</b>	1626	<b>19.3</b>

## Ø 133

Bearing 6204  
(20 x 47 x 14)

d = 20

ch = 14

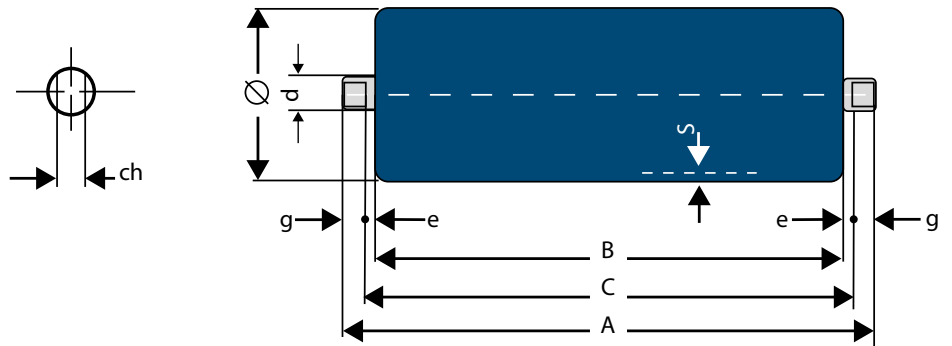
s = 3

e = 4

g = 9

Belt			Roller			
Width mm			Dimensions mm			Weight kg
Arrangements			B	C	A	Total
		500	200	<b>208</b>	226	<b>4.1</b>
		650	250	<b>258</b>	276	<b>4.9</b>
		500	315	<b>323</b>	341	<b>5.9</b>
		650	380	<b>388</b>	406	<b>6.9</b>
		800	465	<b>473</b>	491	<b>8.1</b>
		1400	530	<b>538</b>	556	<b>9.1</b>
500	1000	1600	600	<b>608</b>	626	<b>10.2</b>
	1200		700	<b>708</b>	726	<b>11.7</b>
650			750	<b>758</b>	776	<b>12.5</b>
	1400		800	<b>808</b>	826	<b>13.2</b>
	1600		900	<b>908</b>	926	<b>14.8</b>
800			950	<b>958</b>	976	<b>15.5</b>
1000			1150	<b>1158</b>	1176	<b>18.6</b>
1200			1400	<b>1408</b>	1426	<b>22.4</b>
1400			1600	<b>1608</b>	1626	<b>25.4</b>
1600			1800	<b>1808</b>	1826	<b>28.4</b>

# Steel Rollers MCC 2



## Ø 89

Bearing 6205  
(25 x 52 x 15)

d = 25  
ch = 18  
s = 3  
e = 4  
g = 12

Belt			Roller			
Width mm			Dimensions mm			Weight kg
Arrangements			B	C	A	Total
		500	200	<b>208</b>	232	<b>3.0</b>
		650	250	<b>258</b>	282	<b>3.5</b>
		500 800	315	<b>232</b>	347	<b>4.2</b>
		650 1000	380	<b>388</b>	412	<b>4.9</b>
		800 1200	465	<b>473</b>	497	<b>5.7</b>
		1400	530	<b>538</b>	562	<b>6.4</b>
500	1000	1600	600	<b>608</b>	632	<b>7.1</b>
	1200		700	<b>708</b>	732	<b>8.1</b>
650			750	<b>758</b>	782	<b>8.6</b>
	1400		800	<b>808</b>	832	<b>9.2</b>
	1600		900	<b>908</b>	932	<b>10.2</b>
800			950	<b>958</b>	982	<b>10.7</b>
1000			1150	<b>1158</b>	1182	<b>12.7</b>
1200			1400	<b>1408</b>	1432	<b>15.3</b>
1400			1600	<b>1608</b>	1632	<b>17.4</b>
1600			1800	<b>1808</b>	1832	<b>19.4</b>

## Ø 108

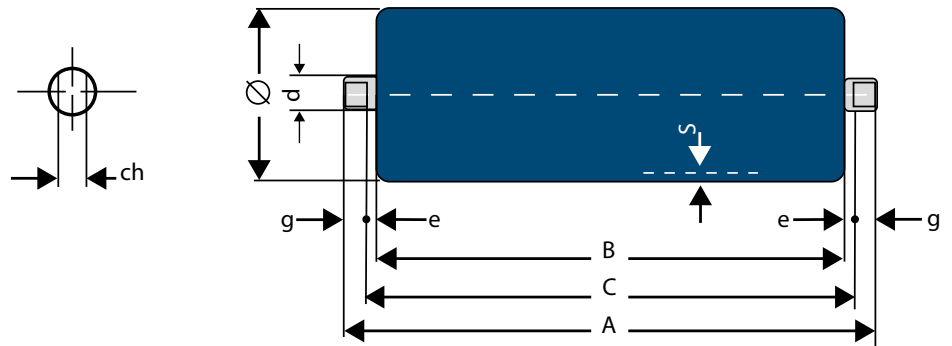
Bearing 6205  
(25 x 52 x 15)

d = 25  
ch = 18  
s = 3.5  
e = 4  
g = 12

Belt			Roller			
Width mm			Dimensions mm			Weight kg
Arrangements			B	C	A	Total
		500	200	<b>208</b>	232	<b>3.6</b>
		650	250	<b>258</b>	282	<b>4.3</b>
		500 800	315	<b>232</b>	347	<b>5.1</b>
		650 1000	380	<b>388</b>	412	<b>6.0</b>
		800 1200	465	<b>473</b>	497	<b>7.0</b>
		1400	530	<b>538</b>	562	<b>7.9</b>
500	1000	1600	600	<b>608</b>	632	<b>8.8</b>
	1200		700	<b>708</b>	732	<b>10.1</b>
650			750	<b>758</b>	782	<b>10.7</b>
	1400		800	<b>808</b>	832	<b>11.4</b>
	1600		900	<b>908</b>	932	<b>12.6</b>
800			950	<b>958</b>	982	<b>13.3</b>
1000			1150	<b>1158</b>	1182	<b>15.9</b>
1200			1400	<b>1408</b>	1432	<b>19.1</b>
1400			1600	<b>1608</b>	1632	<b>21.7</b>
1600			1800	<b>1808</b>	1832	<b>24.2</b>



# Steel Rollers MCC 2



## Ø 133

Bearing 6205  
(25 x 52 x 15)

d = 25

ch = 18

s = 4

e = 4

g = 12

Belt		Roller			
Width mm		Dimensions mm			Weight kg
Arrangements		B	C	A	Total
1	650	250	<b>258</b>	282	<b>5.5</b>
	800	315	<b>323</b>	347	<b>6.5</b>
2	650	380	<b>388</b>	412	<b>7.6</b>
	800	465	<b>473</b>	497	<b>9.0</b>
3	1400	530	<b>538</b>	562	<b>10.1</b>
	1000	600	<b>608</b>	632	<b>11.3</b>
4	1800	670	<b>678</b>	702	<b>12.4</b>
	1200	700	<b>708</b>	732	<b>12.9</b>
5	650	750	<b>758</b>	782	<b>13.8</b>
	1400	800	<b>808</b>	832	<b>14.6</b>
6	1600	900	<b>908</b>	932	<b>16.2</b>
	800	950	<b>958</b>	982	<b>17.1</b>
7	1800	1000	<b>1008</b>	1032	<b>17.9</b>
	1000	1150	<b>1158</b>	1182	<b>20.4</b>
8	1200	1400	<b>1408</b>	1432	<b>24.5</b>
	1400	1600	<b>1608</b>	1632	<b>27.9</b>
9	1600	1800	<b>1808</b>	1832	<b>31.2</b>
	1800	2000	<b>2008</b>	2032	<b>34.5</b>

## Ø 159

Bearing 6205  
(25 x 62 x 17)

d = 25

ch = 18

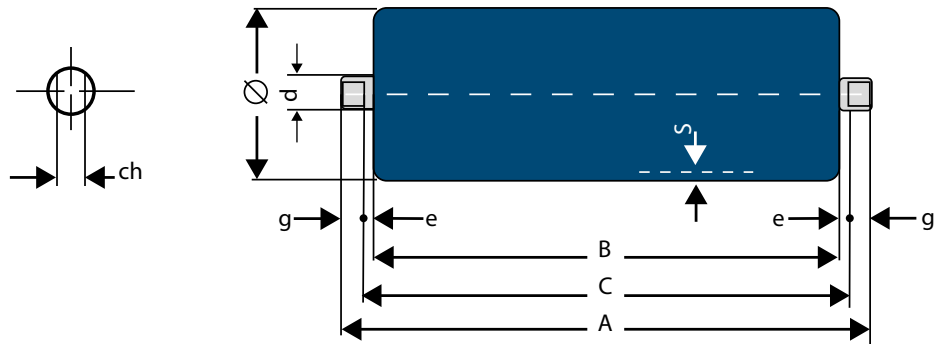
s = 4.5

e = 4

g = 12

Belt		Roller			
Width mm		Dimensions mm			Weight kg
Arrangements		B	C	A	Total
1	650	250	<b>258</b>	282	<b>6.3</b>
	800	315	<b>323</b>	347	<b>7.6</b>
2	650	380	<b>388</b>	412	<b>8.8</b>
	800	465	<b>473</b>	497	<b>10.5</b>
3	1400	530	<b>538</b>	562	<b>11.7</b>
	1000	600	<b>608</b>	632	<b>13.1</b>
4	1800	670	<b>678</b>	702	<b>14.4</b>
	1200	700	<b>708</b>	732	<b>15.0</b>
5	650	750	<b>758</b>	782	<b>15.9</b>
	1400	800	<b>808</b>	832	<b>16.9</b>
6	1600	900	<b>908</b>	932	<b>18.8</b>
	800	950	<b>958</b>	982	<b>19.8</b>
7	1800	1000	<b>1008</b>	1032	<b>20.7</b>
	1000	1150	<b>1158</b>	1182	<b>23.6</b>
8	1200	1400	<b>1408</b>	1432	<b>28.4</b>
	1400	1600	<b>1608</b>	1632	<b>32.2</b>
9	1600	1800	<b>1808</b>	1832	<b>36.0</b>
	1800	2000	<b>2008</b>	2032	<b>39.9</b>

# Steel Rollers MCC 3



## Ø 89

Bearing 6305  
(25 x 62 x 17)

d = 25

ch = 18

s = 3

e = 4

g = 12

Belt		Roller			Weight kg	
Width mm		Dimensions mm				
Arrangements		B	C	A	Total	
			650	250	<b>258</b>	282
	800	315	<b>323</b>	347	<b>4.5</b>	
	650	1000	380	<b>388</b>	412	<b>5.2</b>
	800	1200	465	<b>473</b>	497	<b>6.1</b>
	1400	530	<b>538</b>	562	<b>6.7</b>	
	1000	1600	600	<b>608</b>	632	<b>7.5</b>
	1200	700	<b>708</b>	732	<b>8.5</b>	
	650	750	<b>758</b>	782	<b>9.0</b>	
	1400	800	<b>808</b>	832	<b>9.5</b>	
	1600	900	<b>908</b>	932	<b>10.5</b>	
	800	950	<b>958</b>	982	<b>11.1</b>	
	1000	1150	<b>1158</b>	1182	<b>13.1</b>	
	1200	1400	<b>1408</b>	1432	<b>15.7</b>	
	1400	1600	<b>1608</b>	1632	<b>17.7</b>	
	1600	1800	<b>1808</b>	1832	<b>19.8</b>	

## Ø 108

Base roller:  
Bearing 6305  
(25 x 62 x 17)

d = 25

ch = 18

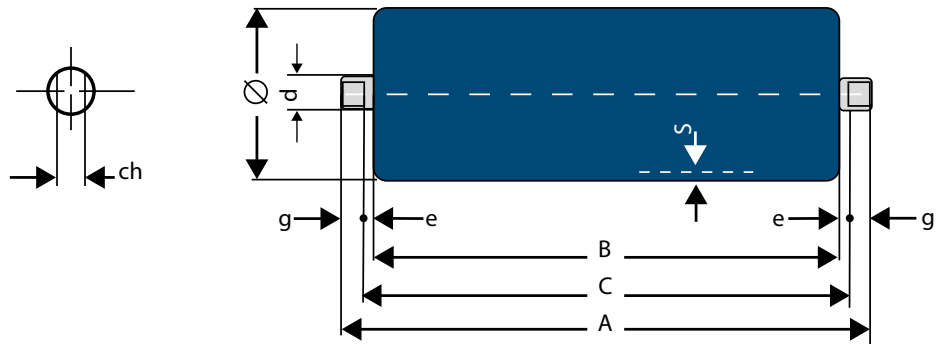
s = 3.5

e = 4

g = 12

Belt		Roller			Weight kg	
Width mm		Dimensions mm				
Arrangements		B	C	A	Total	
			650	250	<b>258</b>	282
	800	315	<b>323</b>	347	<b>5.5</b>	
	650	1000	380	<b>388</b>	412	<b>6.4</b>
	800	1200	465	<b>473</b>	497	<b>7.5</b>
	1400	530	<b>538</b>	562	<b>8.3</b>	
	1000	1600	600	<b>608</b>	632	<b>9.2</b>
	1200	700	<b>708</b>	732	<b>10.5</b>	
	650	750	<b>758</b>	782	<b>11.1</b>	
	1400	800	<b>808</b>	832	<b>11.8</b>	
	1600	900	<b>908</b>	932	<b>13.0</b>	
	800	950	<b>958</b>	982	<b>13.7</b>	
	1000	1150	<b>1158</b>	1182	<b>16.3</b>	
	1200	1400	<b>1408</b>	1432	<b>19.5</b>	

# Steel Rollers MCC 3



## Ø 133

Bearing 6305  
(25 x 62 x 17)

d = 25

ch = 18

s = 4

e = 4

g = 12

Belt		Roller			Weight kg
Width mm		Dimensions mm			
Arrangements		B	C	A	Total
1	800	315	<b>323</b>	347	<b>7.0</b>
	1000	380	<b>388</b>	412	<b>8.1</b>
2	800	465	<b>473</b>	497	<b>9.5</b>
	1400	530	<b>538</b>	562	<b>10.6</b>
3	1000	600	<b>608</b>	632	<b>11.7</b>
	1800	670	<b>678</b>	702	<b>12.9</b>
4	1200	700	<b>708</b>	732	<b>13.4</b>
	2000	750	<b>758</b>	782	<b>14.2</b>
5	1400	800	<b>808</b>	832	<b>15.1</b>
	1600	900	<b>908</b>	932	<b>16.7</b>
6	800	950	<b>958</b>	982	<b>17.5</b>
	1800	1000	<b>1008</b>	1032	<b>18.4</b>
7	2000	1100	<b>1108</b>	1132	<b>20.0</b>
	1000	1150	<b>1158</b>	1182	<b>20.9</b>
8	1200	1400	<b>1408</b>	1432	<b>25.0</b>
	1400	1600	<b>1608</b>	1632	<b>28.3</b>
9	1600	1800	<b>1808</b>	1832	<b>31.6</b>
	1800	2000	<b>2008</b>	2032	<b>35.0</b>

## Ø 159

Bearing 6305  
(25 x 62 x 17)

d = 25

ch = 18

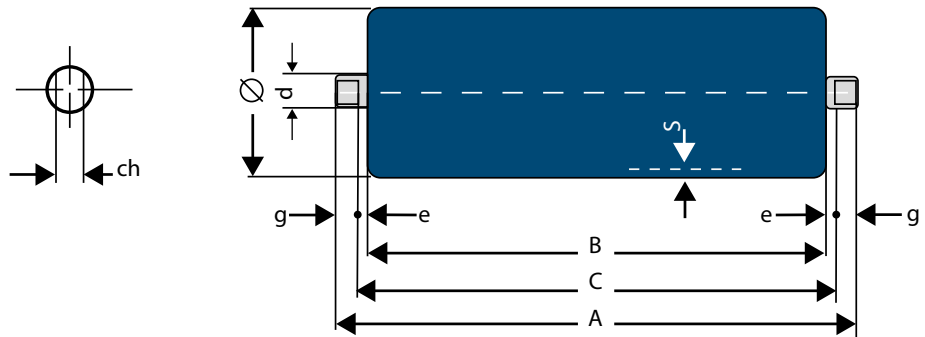
s = 4.5

e = 4

g = 12

Belt		Roller			Weight kg
Width mm		Dimensions mm			
Arrangements		B	C	A	Total
1	1000	380	<b>388</b>	412	<b>9.4</b>
	1200	465	<b>473</b>	497	<b>11.0</b>
2	1400	530	<b>538</b>	562	<b>12.3</b>
	1000	600	<b>608</b>	632	<b>13.6</b>
3	1800	670	<b>678</b>	702	<b>15.0</b>
	1200	700	<b>708</b>	732	<b>15.5</b>
4	2000	750	<b>758</b>	782	<b>16.5</b>
	1400	800	<b>808</b>	832	<b>17.4</b>
5	1600	900	<b>908</b>	932	<b>19.4</b>
	1800	1000	<b>1008</b>	1032	<b>21.3</b>
6	2000	1100	<b>1108</b>	1132	<b>23.2</b>
	1000	1150	<b>1158</b>	1182	<b>24.1</b>
7	1200	1400	<b>1408</b>	1432	<b>28.9</b>
	1400	1600	<b>1608</b>	1632	<b>32.8</b>
8	1600	1800	<b>1808</b>	1832	<b>36.6</b>
	1800	2000	<b>2008</b>	2032	<b>40.4</b>
9	2000	2200	<b>2208</b>	2232	<b>44.3</b>

# Steel Rollers MCC 4



## Ø 89

Bearing 6206  
(30 x 62 x 16)

d = 30

ch = 22

s = 3

e = 4

g = 12

Belt		Roller			Weight kg
Width mm		Dimensions mm			
Arrangements		B	C	A	Total
	800	315	<b>323</b>	347	<b>5.3</b>
	1000	380	<b>388</b>	412	<b>6.1</b>
	800	465	<b>473</b>	497	<b>7.1</b>
	1400	530	<b>538</b>	562	<b>7.9</b>
	1000	600	<b>608</b>	632	<b>8.7</b>
	1200	700	<b>708</b>	732	<b>9.9</b>
	1400	800	<b>808</b>	832	<b>11.1</b>
	1600	900	<b>908</b>	932	<b>12.3</b>
	800	950	<b>958</b>	982	<b>12.9</b>
	1000	1150	<b>1158</b>	1182	<b>15.3</b>
	1200	1400	<b>1408</b>	1432	<b>18.3</b>
	1400	1600	<b>1608</b>	1632	<b>20.6</b>
	1600	1800	<b>1808</b>	1832	<b>23.0</b>

## Ø 108

Bearing 6206  
(30 x 62 x 16)

d = 30

ch = 24

s = 3.5

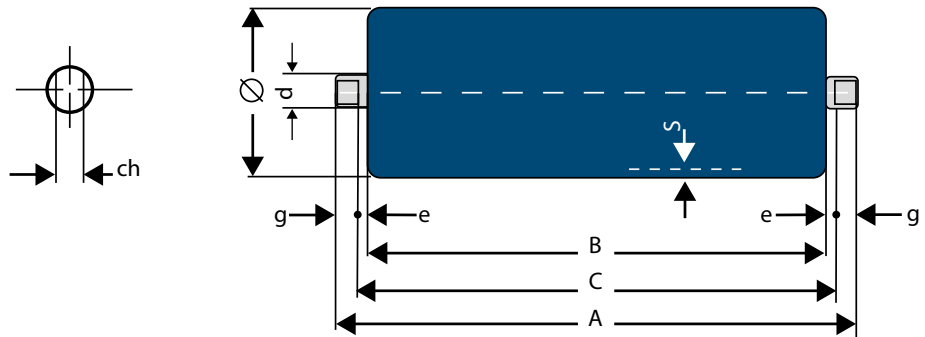
e = 4

g = 12

Belt		Roller			Weight kg
Width mm		Dimensions mm			
Arrangements		B	C	A	Total
	800	315	<b>323</b>	347	<b>6.3</b>
	1000	380	<b>388</b>	412	<b>7.2</b>
	800	465	<b>473</b>	497	<b>8.4</b>
	1400	530	<b>538</b>	562	<b>9.4</b>
	1000	600	<b>608</b>	632	<b>10.4</b>
	1200	700	<b>708</b>	732	<b>11.9</b>
	1400	800	<b>808</b>	832	<b>13.3</b>
	1600	900	<b>908</b>	932	<b>14.8</b>
	800	950	<b>958</b>	982	<b>15.5</b>
	1000	1150	<b>1158</b>	1182	<b>18.4</b>
	1200	1400	<b>1408</b>	1432	<b>22.1</b>
	1400	1600	<b>1608</b>	1632	<b>25.0</b>
	1600	1800	<b>1808</b>	1832	<b>27.9</b>



# Steel Rollers MCC 4



## Ø 133

Bearing 6206  
(30 x 62 x 16)

d = 30

ch = 22

s = 4

e = 4

g = 12

Belt		Roller			Weight kg
Width mm		Dimensions mm			
Arrangements		B	C	A	Total
1	800	315	<b>323</b>	347	<b>7.8</b>
	1000	380	<b>388</b>	412	<b>8.9</b>
2	800	465	<b>473</b>	497	<b>10.5</b>
	1400	530	<b>538</b>	562	<b>11.7</b>
3	1000	600	<b>608</b>	632	<b>13.0</b>
	1800	670	<b>678</b>	702	<b>14.2</b>
4	1200	700	<b>708</b>	732	<b>14.8</b>
	2000	750	<b>758</b>	782	<b>15.7</b>
5	1400	800	<b>808</b>	832	<b>16.6</b>
	1600	900	<b>908</b>	932	<b>18.5</b>
6	800	950	<b>958</b>	982	<b>19.4</b>
	1800	1000	<b>1008</b>	1032	<b>20.3</b>
7	2000	1100	<b>1108</b>	1132	<b>22.1</b>
	1000	1150	<b>1158</b>	1182	<b>23.0</b>
8	1200	1400	<b>1408</b>	1432	<b>27.6</b>
	1400	1600	<b>1608</b>	1632	<b>31.3</b>
9	1600	1800	<b>1808</b>	1832	<b>34.9</b>
	1800	2000	<b>2008</b>	2032	<b>38.6</b>
10	2000	2200	<b>2208</b>	2232	<b>42.2</b>

## Ø 159

Bearing 6206  
(25 x 62 x 16)

d = 30

ch = 22

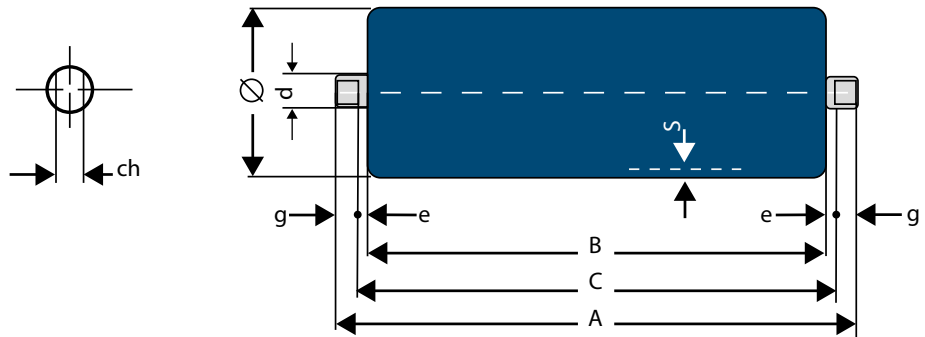
s = 4.5

e = 4

g = 12

Belt		Roller			Weight kg
Width mm		Dimensions mm			
Arrangements		B	C	A	Total
1	800	315	<b>323</b>	347	<b>8.9</b>
	1000	380	<b>388</b>	412	<b>10.3</b>
2	800	465	<b>473</b>	497	<b>12.1</b>
	1400	530	<b>538</b>	562	<b>13.4</b>
3	1000	600	<b>608</b>	632	<b>14.9</b>
	1800	670	<b>678</b>	702	<b>16.4</b>
4	1200	700	<b>708</b>	732	<b>17.0</b>
	2000	750	<b>758</b>	782	<b>18.0</b>
5	1400	800	<b>808</b>	832	<b>19.1</b>
	1600	900	<b>908</b>	932	<b>21.1</b>
6	800	950	<b>958</b>	982	<b>22.2</b>
	1800	1000	<b>1008</b>	1032	<b>23.2</b>
7	2000	1100	<b>1108</b>	1132	<b>25.3</b>
	1000	1150	<b>1158</b>	1182	<b>26.4</b>
8	1200	1400	<b>1408</b>	1432	<b>31.6</b>
	1400	1600	<b>1608</b>	1632	<b>35.7</b>
9	1600	1800	<b>1808</b>	1832	<b>39.9</b>
	1800	2000	<b>2008</b>	2032	<b>44.1</b>
10	2000	2200	<b>2208</b>	2232	<b>48.3</b>

# Steel Rollers MCC 5



## Ø 89

Bearing 6306  
(30 x 72 x 16)

d = 30

ch = 22

s = 3

e = 4

g = 12

Belt		Roller			Weight kg
Width mm		Dimensions mm			
Arrangements		B	C	A	Total
			800	315	<b>323</b>
	1000	380	<b>388</b>	412	<b>9.6</b>
	800	1200	465	<b>473</b>	497
	1400	530	<b>538</b>	562	<b>12.3</b>
	1000	1600	600	<b>608</b>	632
	1800	670	<b>678</b>	702	<b>14.9</b>
	1200	700	<b>708</b>	732	<b>15.5</b>
		2000	750	<b>758</b>	782
	1400	800	<b>808</b>	832	<b>17.2</b>
	1600	900	<b>908</b>	932	<b>19.2</b>
800		950	<b>958</b>	982	<b>20.0</b>
	1800	1000	<b>1008</b>	1032	<b>20.9</b>
	2000	1100	<b>1108</b>	1132	<b>22.7</b>
1000		1150	<b>1158</b>	1182	<b>23.6</b>
1200		1400	<b>1408</b>	1432	<b>28.2</b>
1400		1600	<b>1608</b>	1632	<b>31.9</b>
1600		1800	<b>1808</b>	1832	<b>35.5</b>
1800		2000	<b>2008</b>	2032	<b>39.2</b>
2000		2200	<b>2208</b>	2232	<b>42.8</b>

## Ø 108

Bearing 6206  
(30 x 72 x 16)

d = 30

ch = 22

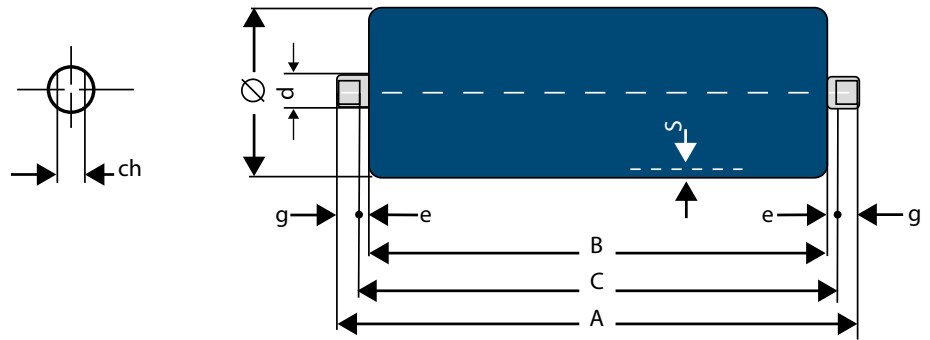
s = 3

e = 4

g = 12

Belt		Roller			Weight kg
Width mm		Dimensions mm			
Arrangements		B	C	A	Total
			800	315	<b>323</b>
	1000	380	<b>388</b>	412	<b>9.6</b>
	800	1200	465	<b>473</b>	497
	1400	530	<b>538</b>	562	<b>12.3</b>
	1000	1600	600	<b>608</b>	632
	1800	670	<b>678</b>	702	<b>14.9</b>
	1200	700	<b>708</b>	732	<b>15.5</b>
		2000	750	<b>758</b>	782
	1400	800	<b>808</b>	832	<b>17.2</b>
	1600	900	<b>908</b>	932	<b>19.2</b>
800		950	<b>958</b>	982	<b>20.0</b>
	1800	1000	<b>1008</b>	1032	<b>20.9</b>
	2000	1100	<b>1108</b>	1132	<b>22.7</b>
1000		1150	<b>1158</b>	1182	<b>23.6</b>
1200		1400	<b>1408</b>	1432	<b>28.2</b>
1400		1600	<b>1608</b>	1632	<b>31.9</b>
1600		1800	<b>1808</b>	1832	<b>35.5</b>
1800		2000	<b>2008</b>	2032	<b>39.2</b>
2000		2200	<b>2208</b>	2232	<b>42.8</b>

# Steel Rollers MCC 5



## Ø 133

Bearing 6306  
(30 x 72 x 16)

d = 30

ch = 22

s = 4

e = 4

g = 12

Belt		Roller			Weight kg
Width mm		Dimensions mm			
Arrangements		B	C	A	Total
1	800	315	<b>323</b>	347	<b>8.3</b>
	1000	380	<b>388</b>	412	<b>9.5</b>
2	800	465	<b>473</b>	497	<b>11.1</b>
	1400	530	<b>538</b>	562	<b>12.3</b>
3	1000	600	<b>608</b>	632	<b>13.5</b>
	1800	670	<b>678</b>	702	<b>14.8</b>
4	1200	700	<b>708</b>	732	<b>15.4</b>
	2000	750	<b>758</b>	782	<b>16.3</b>
5	1400	800	<b>808</b>	832	<b>17.2</b>
	1600	900	<b>908</b>	932	<b>19.0</b>
6	800	950	<b>958</b>	982	<b>19.9</b>
	1800	1000	<b>1008</b>	1032	<b>20.8</b>
7	2000	1100	<b>1108</b>	1132	<b>22.7</b>
	1000	1150	<b>1158</b>	1182	<b>23.6</b>
8	1200	1400	<b>1408</b>	1432	<b>28.2</b>
	1400	1600	<b>1608</b>	1632	<b>31.8</b>
9	1600	1800	<b>1808</b>	1832	<b>35.5</b>
	1800	2000	<b>2008</b>	2032	<b>39.1</b>
10	2000	2200	<b>2208</b>	2232	<b>42.8</b>

## Ø 159

Bearing 6306  
(30 x 72 x 19)

d = 30

ch = 22

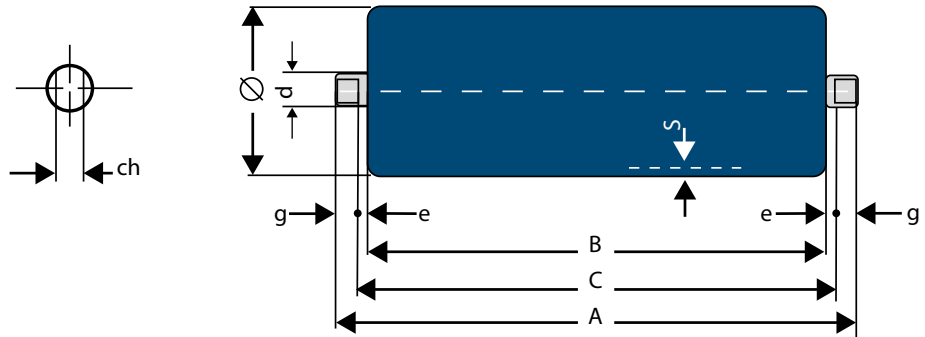
s = 4.5

e = 4

g = 12

Belt		Roller			Weight kg
Width mm		Dimensions mm			
Arrangements		B	C	A	Total
1	1000	380	<b>388</b>	412	<b>10.9</b>
	1200	465	<b>473</b>	497	<b>12.6</b>
2	1400	530	<b>538</b>	562	<b>14.0</b>
	1000	600	<b>608</b>	632	<b>15.4</b>
3	1800	670	<b>678</b>	702	<b>16.9</b>
	1200	700	<b>708</b>	732	<b>17.5</b>
4	2000	750	<b>758</b>	782	<b>18.6</b>
	1400	800	<b>808</b>	832	<b>19.6</b>
5	1600	900	<b>908</b>	932	<b>21.7</b>
	1800	1000	<b>1008</b>	1032	<b>23.8</b>
6	2000	1100	<b>1108</b>	1132	<b>25.9</b>
	1000	1150	<b>1158</b>	1182	<b>26.9</b>
7	2200	1250	<b>1258</b>	1282	<b>29.0</b>
	1200	1400	<b>1408</b>	1432	<b>32.1</b>
8	1400	1600	<b>1608</b>	1632	<b>36.3</b>
	1600	1800	<b>1808</b>	1832	<b>40.5</b>
9	1800	2000	<b>2008</b>	2032	<b>44.6</b>
	2000	2200	<b>2208</b>	2232	<b>48.8</b>
10	2200	2500	<b>2508</b>	2532	<b>55.1</b>

# Steel Rollers MCC 7



## Ø 108

Bearing 6308  
(40 x 90 x 23)

d = 40

ch = 22

s = 4\*

e = 4

g = 12

\*s = 6 for rollers with  
impact rings

Belt		Roller			
Width mm		Dimensions mm			Weight kg
Arrangements		B	C	A	Total
1000	1000	380	<b>388</b>	412	<b>11.6</b>
	1200	465	<b>473</b>	497	<b>13.2</b>
1200	1400	530	<b>538</b>	562	<b>14.5</b>
	1600	600	<b>608</b>	632	<b>15.8</b>
1200	1800	670	<b>678</b>	702	<b>17.1</b>
	2000	700	<b>708</b>	732	<b>17.6</b>
1400	2000	750	<b>758</b>	782	<b>18.6</b>
	2200	800	<b>808</b>	832	<b>19.5</b>
1600	1600	900	<b>908</b>	932	<b>21.4</b>
	1800	1000	<b>1008</b>	1032	<b>23.4</b>
1600	2000	1100	<b>1108</b>	1132	<b>25.1</b>
	2200	1150	<b>1158</b>	1182	<b>26.1</b>
1200	2200	1250	<b>1258</b>	1282	<b>28.0</b>
1400		1400	<b>1408</b>	1432	<b>30.8</b>
1600		1600	<b>1608</b>	1632	<b>34.5</b>
1800		1800	<b>1808</b>	1832	<b>38.3</b>
2000		2000	<b>2008</b>	2032	<b>42.0</b>
2200		2200	<b>2208</b>	2232	<b>45.8</b>
2200		2500	<b>2508</b>	2532	<b>51.4</b>

## Ø 133

Bearing 6308  
(40 x 90 x 23)

d = 40

ch = 32

s = 4\*

e = 4

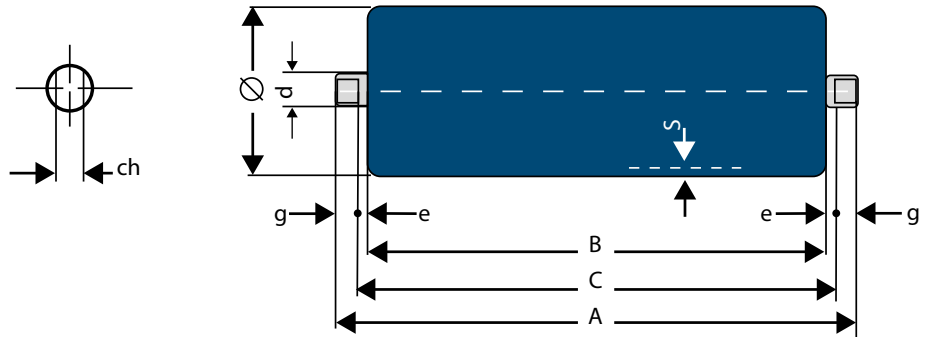
g = 12

\*s = 6 for rollers with  
impact rings

Belt		Roller			
Width mm		Dimensions mm			Weight kg
Arrangements		B	C	A	Total
1000	1000	380	<b>388</b>	412	<b>13.3</b>
	1200	465	<b>473</b>	497	<b>15.2</b>
1200	1400	530	<b>538</b>	562	<b>16.7</b>
	1600	600	<b>608</b>	632	<b>18.3</b>
1200	1800	670	<b>678</b>	702	<b>19.9</b>
	2000	700	<b>708</b>	732	<b>20.5</b>
1400	2000	750	<b>758</b>	782	<b>21.7</b>
	2200	800	<b>808</b>	832	<b>22.8</b>
1600	1600	900	<b>908</b>	932	<b>25.1</b>
	1800	1000	<b>1008</b>	1032	<b>27.3</b>
1600	2000	1100	<b>1108</b>	1132	<b>29.6</b>
	2200	1150	<b>1158</b>	1182	<b>30.7</b>
1200	2200	1250	<b>1258</b>	1282	<b>33.0</b>
1400		1400	<b>1408</b>	1432	<b>36.3</b>
1600		1600	<b>1608</b>	1632	<b>40.9</b>
1800		1800	<b>1808</b>	1832	<b>45.4</b>
2000		2000	<b>2008</b>	2032	<b>49.9</b>
2200		2200	<b>2208</b>	2232	<b>54.4</b>
2200		2500	<b>2508</b>	2532	<b>61.2</b>



# Steel Rollers MCC 7



## Ø 159

Bearing 6308  
(40 x 90 x 23)

d = 40

ch = 32

s = 4.5

e = 4

g = 12

Belt		Roller			Weight kg
Width mm		Dimensions mm			
Arrangements	B	C	A	Total	
	1000	380	<b>388</b>	412	<b>14.7</b>
	1200	465	<b>473</b>	497	<b>16.8</b>
	1400	530	<b>538</b>	562	<b>18.4</b>
1000	1600	600	<b>608</b>	632	<b>20.2</b>
	1800	670	<b>678</b>	702	<b>22.0</b>
1200		700	<b>708</b>	732	<b>22.7</b>
	2000	750	<b>758</b>	782	<b>24.0</b>
1400	2200	800	<b>808</b>	832	<b>25.2</b>
1600		900	<b>908</b>	932	<b>27.7</b>
1800		1000	<b>1008</b>	1032	<b>30.3</b>
2000		1100	<b>1108</b>	1132	<b>32.8</b>
1000		1150	<b>1158</b>	1182	<b>34.0</b>
2200		1250	<b>1258</b>	1282	<b>36.6</b>
1200		1400	<b>1408</b>	1432	<b>40.3</b>
1400		1600	<b>1608</b>	1632	<b>45.4</b>
1600		1800	<b>1808</b>	1832	<b>50.4</b>
1800		2000	<b>2008</b>	2032	<b>55.4</b>
2000		2200	<b>2208</b>	2232	<b>60.5</b>
2200		2500	<b>2508</b>	2532	<b>68.0</b>

## Ø 194

Bearing 6308  
(40 x 90 x 23)

d = 40

ch = 32

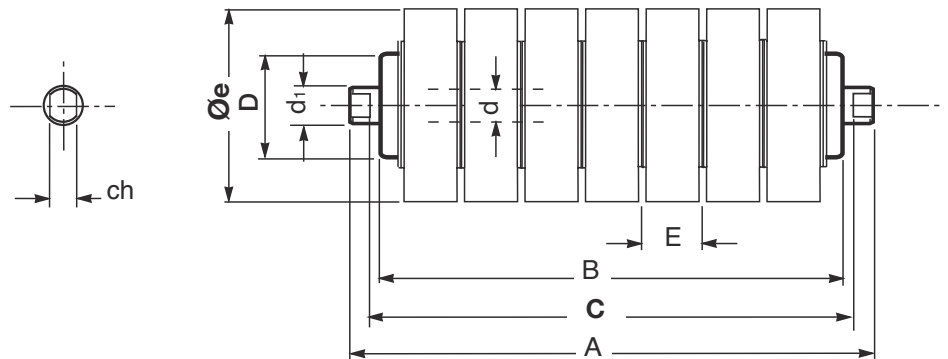
s = 6.3

e = 4

g = 12

Belt		Roller			Weight kg
Width mm		Dimensions mm			
Arrangements	B	C	A	Total	
	1600	600	<b>608</b>	632	<b>29.4</b>
	1800	670	<b>678</b>	702	<b>32.1</b>
	2000	750	<b>758</b>	782	<b>32.5</b>
	2200	800	<b>808</b>	832	<b>37.2</b>
1600	2400	900	<b>908</b>	932	<b>41.1</b>
	2600	950	<b>958</b>	982	<b>43.0</b>
1800		1000	<b>1008</b>	1032	<b>45.0</b>
	2800	1050	<b>1058</b>	1082	<b>46.9</b>
2000		1100	<b>1108</b>	1132	<b>48.9</b>
	3000	1120	<b>1128</b>	1152	<b>49.6</b>
2200		1250	<b>1258</b>	1282	<b>54.7</b>
2400		1400	<b>1408</b>	1432	<b>60.6</b>
2800		1600	<b>1608</b>	1632	<b>68.3</b>
3000		1700	<b>1708</b>	1732	<b>72.2</b>
1600		1800	<b>1808</b>	1832	<b>76.1</b>
1800		2000	<b>2008</b>	2032	<b>83.9</b>
2000		2200	<b>2208</b>	2232	<b>91.7</b>
2200		2500	<b>2508</b>	2532	<b>103.4</b>
2400		2800	<b>2808</b>	2832	<b>115.1</b>
2600		3000	<b>3008</b>	3032	<b>122.9</b>

# Impact Rollers



## Ø 89

Base roller:

### MCC 1

D = 63

Spindle 20;  $d_1 = 20$

Bearing 6204

ch = 14

Belt			Roller			
Width mm			Dimensions mm			Weight kg
Arrangements			B	C	A	Series 1
			160	<b>168</b>	186	2.3
	400	500	200	<b>208</b>	226	2.7
	400	650	250	<b>258</b>	276	3.3
	500	800	315	<b>323</b>	341	4.1
300	650	1000	380	<b>388</b>	406	4.8
	800	1200	465	<b>473</b>	491	5.6
400			500	<b>508</b>	526	6.1
		1400	530	<b>538</b>	556	6.4
500	1000		600	<b>608</b>	626	7.2
	1200		700	<b>708</b>	726	8.1
650			750	<b>758</b>	776	8.8
	1400		800	<b>808</b>	826	9.2
800			950	<b>958</b>	976	10.9
1000			1150	<b>1158</b>	1176	12.9
1200			1400	<b>1408</b>	1426	15.7
1400			1600	<b>1608</b>	1626	17.9

## Ø 108

Base roller:

### MCC 1

D = 63

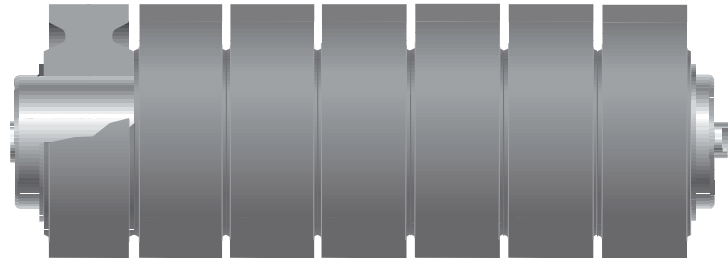
Spindle 20;  $d_1 = 20$

Bearing 6204

ch = 14

Belt			Roller			
Width mm			Dimensions mm			Weight kg
Arrangements			B	C	A	Series 1
			160	<b>168</b>	186	2.6
	300	500	200	<b>208</b>	226	3.2
	400	650	250	<b>258</b>	276	3.8
	500	800	315	<b>323</b>	341	4.8
300	650	1000	380	<b>388</b>	406	5.5
	800	1200	465	<b>473</b>	491	6.6
400			500	<b>508</b>	526	7.1
		1400	530	<b>538</b>	556	7.3
500	1000		600	<b>608</b>	626	8.6
	1200		700	<b>708</b>	726	9.9
650			750	<b>758</b>	776	10.5
	1400		800	<b>808</b>	826	11.1
800			950	<b>958</b>	976	13.2
1000			1150	<b>1158</b>	1176	15.7
1200			1400	<b>1408</b>	1426	18.8
1400			1600	<b>1608</b>	1626	21.5

# Impact Rollers



## Ø 133

Base roller:

### MCC 1

D = 89  
Spindle 20;  $d_1 = 20$   
Bearing 6204  
ch = 14

### MCC 2

D = 89  
Spindle 25;  $d_1 = 25$   
Bearing 6205  
ch = 18

### MCC 3

D = 89  
Spindle 25;  $d_1 = 25$   
Bearing 6305  
ch = 18

### MCC 4

D = 89  
Spindle 30;  $d_1 = 30$   
Bearing 6206  
ch = 22

### MCC 5

D = 89  
Spindle 30;  $d_1 = 30$   
Bearing 6306  
ch = 22

Belt			Roller		
Width mm			Dimensions mm		
Arrangements			B	C	A
1	2	500	200	<b>208</b>	*
		650	250	<b>258</b>	*
2	3	500	315	<b>323</b>	*
		650	380	<b>388</b>	*
3	4	800	465	<b>473</b>	*
		1400	530	<b>538</b>	*
4	5	500	600	<b>608</b>	*
		1800	670	<b>678</b>	*
5	6	1200	700	<b>708</b>	*
		2000	750	<b>758</b>	*
6	7	1400	800	<b>808</b>	*
		1600	900	<b>908</b>	*
7	8	800	950	<b>958</b>	*
		1800	1000	<b>1008</b>	*
8	9	2000	1100	<b>1108</b>	*
		1000	1150	<b>1158</b>	*
9	10	1200	1400	<b>1408</b>	*
		1400	1600	<b>1608</b>	*
10	11	1600	1800	<b>1808</b>	*
		1800	2000	<b>2008</b>	*
11	12	2000	2200	<b>2208</b>	*

\* In relation to the choice of base rollers.

## Ø 159

Base roller:

### MCC 1

D = 89  
Spindle 20;  $d_1 = 20$   
Bearing 6204  
ch = 14

### MCC 2

D = 89  
Spindle 25;  $d_1 = 25$   
Bearing 6205  
ch = 18

### MCC 3

D = 89  
Spindle 25;  $d_1 = 25$   
Bearing 6305  
ch = 18

### MCC 4

D = 89  
Spindle 30;  $d_1 = 30$   
Bearing 6206  
ch = 22

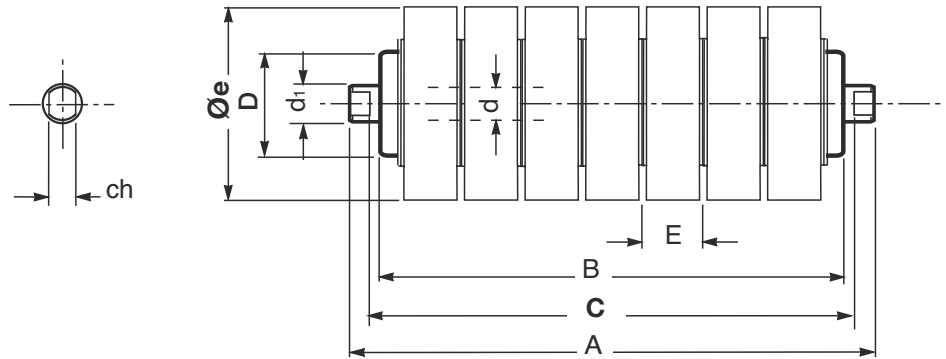
### MCC 5

D = 89  
Spindle 30;  $d_1 = 30$   
Bearing 6306  
ch = 22

Belt			Roller		
Width mm			Dimensions mm		
Arrangements			B	C	A
1	2	800	315	<b>323</b>	*
		1000	380	<b>388</b>	*
2	3	800	465	<b>473</b>	*
		1400	530	<b>538</b>	*
3	4	1000	600	<b>608</b>	*
		1800	670	<b>678</b>	*
4	5	1200	700	<b>708</b>	*
		2000	750	<b>758</b>	*
5	6	1400	800	<b>808</b>	*
		1600	900	<b>908</b>	*
6	7	800	950	<b>958</b>	*
		1800	1000	<b>1008</b>	*
7	8	2000	1100	<b>1108</b>	*
		1000	1150	<b>1158</b>	*
8	9	1200	1400	<b>1408</b>	*
		1400	1600	<b>1608</b>	*
9	10	1600	1800	<b>1808</b>	*
		1800	2000	<b>2008</b>	*
10	11	2000	2200	<b>2208</b>	*

\* In relation to the choice of base rollers.

# Impact Rollers



## Ø 180

Base roller:

### MCC 5

D=108;  
Spindle 30;  $d_1 = 30$   
Bearing 6306  
ch =22

### MCC 7

D=108;  
Spindle 40;  $d_1 = 40$   
Bearing 6308  
ch =32

Belt		Roller				
Width mm		Dimensions mm			Weight kg	
Arrangements		B	C	A	Series 5	Series 7
1600	1600	600	<b>608</b>	632	20.1	25.3
	1800	670	<b>678</b>	702	22.5	28.1
	2000	750	<b>758</b>	782	24.9	30.8
1600	2200	800	<b>808</b>	832	26.9	33.0
	2400	900	<b>908</b>	932	29.7	36.2
	2600	950	<b>958</b>	982	31.7	38.4
1800	1800	1000	<b>1008</b>	1032	33.1	40.0
	2800	1050	<b>1058</b>	1082	34.4	41.6
	2000	1100	<b>1108</b>	1132	36.4	43.6
2200	3000	1120	<b>1128</b>	1152	36.7	44.2
	2200	1250	<b>1258</b>	1282	41.2	49.1
	2400	1400	<b>1408</b>	1432	45.9	54.5
2600	2600	1500	<b>1508</b>	1532	48.7	57.7
	2800	1600	<b>1608</b>	1632	52.1	61.4
	1600	1800	<b>1808</b>	1832	58.2	68.4
1800	1800	2000	<b>2008</b>	2032	64.9	76.0
	2000	2200	<b>2208</b>	2332	71.1	82.9
	2200	2500	<b>2508</b>	2532	80.6	93.6
2400	2400	2800	<b>2808</b>	2832	90.1	104.4
	2600	3000	<b>3008</b>	3032	96.2	111.3
	2800	3150	<b>3158</b>	3182	100.9	116.3

## Ø 194

Base roller:

### MCC 5

D=133;  
Spindle 30;  $d_1 = 30$   
Bearing 6306  
ch =22

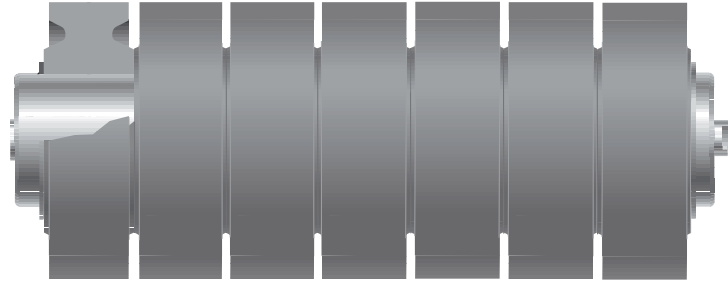
### MCC 7

D=133;  
Spindle 40;  $d_1 = 40$   
Bearing 6308  
ch =32

Belt		Roller				
Width mm		Dimensions mm			Weight kg	
Arrangements		B	C	A	Series 5	Series 7
1600	1600	600	<b>608</b>	632	23.4	28.1
	1800	670	<b>678</b>	702	25.5	30.5
	2000	750	<b>758</b>	782	28.6	34.0
1600	2200	800	<b>808</b>	832	30.3	35.9
	2400	900	<b>908</b>	932	33.8	39.8
	2600	950	<b>958</b>	982	35.5	41.8
1800	1800	1000	<b>1008</b>	1032	37.2	43.7
	2800	1050	<b>1058</b>	1082	39.0	45.7
	2000	1100	<b>1108</b>	1132	40.7	47.6
2200	3000	1120	<b>1128</b>	1152	41.1	48.1
	2200	1250	<b>1258</b>	1282	45.9	53.5
	2400	1400	<b>1408</b>	1432	51.1	59.3
2600	2600	1500	<b>1508</b>	1532	54.6	63.2
	2800	1600	<b>1608</b>	1632	58.1	66.9
	1600	1800	<b>1808</b>	1832	65.0	74.9
1800	1800	2000	<b>2008</b>	2032	71.9	82.7
	2000	2200	<b>2208</b>	2332	78.9	90.5
	2200	2500	<b>2508</b>	2532	89.3	102.2
2400	2400	2800	<b>2808</b>	2832	99.7	113.9
	2600	3000	<b>3008</b>	3032	106.6	121.7
	2800	3150	<b>3158</b>	3182	111.8	127.5



# Impact Rollers



## Ø 215

Base roller:

### MCC 5

D = 133;

Spindle 30;  $d_1 = 30$

Bearing 6306

ch = 22

### MCC 7

D = 133;

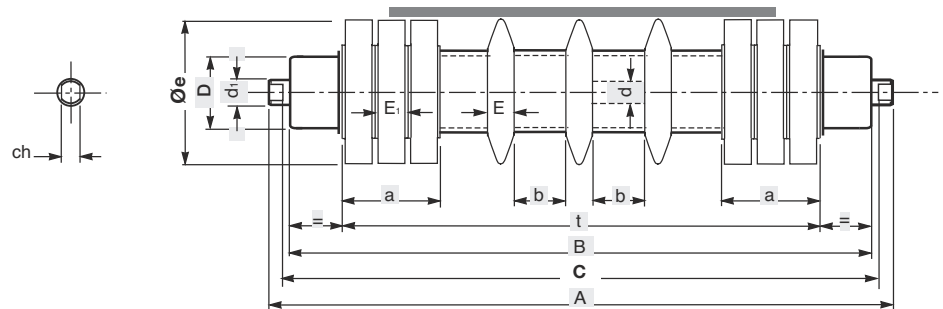
Spindle 40;  $d_1 = 40$

Bearing 6608

ch = 32

Belt		Roller					
Width mm		Dimensions mm			Weight kg		
	Arrangements	B	C	A	Series		
					Series 5	Series 7	
	1800	670	678	702	27.6	32.6	
	2000	750	758	782	31.0	36.4	
	2200	800	808	832	32.9	38.5	
	2400	900	908	932	36.7	42.7	
	2600	950	958	982	38.6	44.8	
	1800	1000	1008	1032	40.4	46.9	
	2800	1050	1058	1082	42.3	49.0	
	2000	1100	1108	1132	44.2	51.1	
	3000	1120	1128	1152	44.6	51.6	
	2200	1250	1258	1282	49.9	57.5	
	2400	1400	1408	1432	55.6	63.8	
	2600	1500	1508	1532	59.4	68.0	
	2800	1600	1608	1632	63.2	72.2	
	1800	2000	2008	2032	78.3	89.1	
	2000	2200	2208	2332	85.9	97.5	
	2200	2500	2508	2532	97.3	110.2	
	2400	2800	2808	2832	108.6	122.8	
	2600	3000	3008	3032	116.2	131.3	
	2800	3150	3158	3182	121.9	137.6	

# Rubber Disc return rollers



## Ø 108

Base roller:


### MCC 1

D = 63;

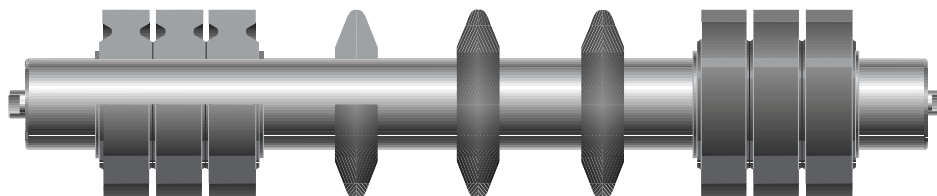
Spindle 20;  $d_1 = 20$

Bearing 6204

ch = 14

Belt	Roller			Weight kg
Width mm	Dimensions mm			
Arrangements 	B	C	A	Series 1
300	380	<b>388</b>	406	4.6
400	500	<b>508</b>	526	5.6
500	600	<b>608</b>	626	6.4
650	750	<b>758</b>	776	7.6
800	950	<b>958</b>	976	9.6
1000	1150	<b>1158</b>	1176	11.3
1200	1400	<b>1408</b>	1426	13.2
1400	1600	<b>1608</b>	1626	15.3

# Rubber Disc return rollers



## Ø 133

Base roller:

### MCC 1

D = 89 ;

Spindle 20 ; d1 = 20

Bearing 6204

ch = 14

### MCC 2

D = 89 ;

Spindle 25 ; d1 = 25

Bearing 6205

ch = 18


### MCC 4

D = 89 ;

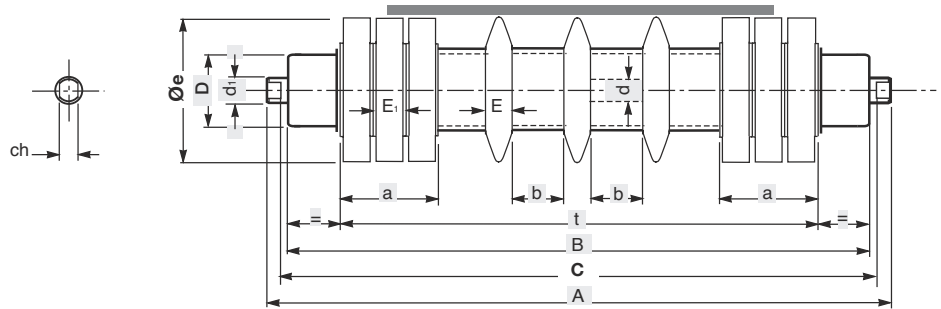
Spindle 30 ; d1 = 30

Bearing 6206

ch = 22

Belt	Roller					
Width mm	Dimensions mm			Weight kg		
Arrangements 	B	C	A	Series 1	Series 2	Series 4
500	600	<b>608</b>	*	8.4		
650	750	<b>758</b>	*	10.0	11.6	
800	950	<b>958</b>	*	12.2	14.1	16.3
1000	1150	<b>1158</b>	*	14.6	16.8	19.3
1200	1400	<b>1408</b>	*	17.3	19.6	22.6
1400	1600	<b>1608</b>	*	19.3	22.0	25.3
1600	1800	<b>1808</b>	*	21.4	24.4	28.1
1800	2000	<b>2008</b>	*		26.8	30.8
2000	2200	<b>2208</b>	*			33.5

# Rubber Disc return rollers



## Ø 159

Base roller:

### MCC 1

D = 89 ;

Spindle 20 ; d1 = 20

Bearing 6204

ch = 14

### MCC 2

D = 89

Spindle 25 ; d1 = 25

Bearing 6205

ch = 18

### MCC 4

D = 89 ;

Spindle 30 ; d1 = 30

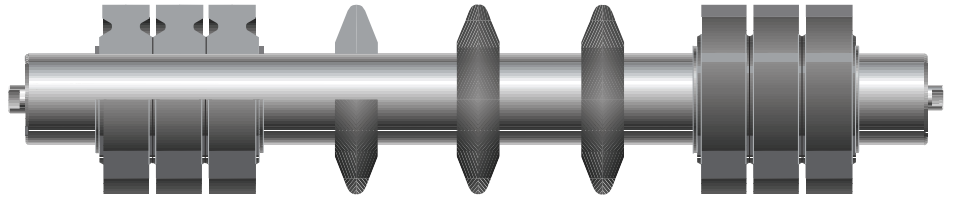
Bearing 6206

ch = 22

Belt	Roller					
Width mm	Dimensions mm			Weight kg		
Arrangements	B	C	A	Series 1	Series 2	Series 4
500	600	<b>608</b>	*	9.7		
650	750	<b>758</b>	*	11.4	12.9	
800	950	<b>958</b>	*	14.4	16.2	18.4
1000	1150	<b>1158</b>	*	16.9	19.0	21.5
1200	1400	<b>1408</b>	*	19.4	21.9	24.9
1400	1600	<b>1608</b>	*	21.6	24.3	27.6
1600	1800	<b>1808</b>	*	23.7	26.7	30.4
1800	2000	<b>2008</b>	*		29.2	33.2
2000	2200	<b>2208</b>	*			35.9



# Rubber Disc return rollers



## Ø 180

Base roller:

### MCC 1

D = 108 ;

Spindle 20 ; d<sub>1</sub> = 20

Bearing 6204

ch = 14

### MCC 2

D = 108 ;

spindle 25 ; d<sub>1</sub> = 25

bearing 6205

ch = 18

### MCC 4

D = 108

Spindle 30 ; d<sub>1</sub> = 30

Bearing 6206

ch = 22

### MCC 7

D = 108

Spindle 40 ; d<sub>1</sub> = 40

Bearing 6308

ch = 32

Belt	Roller						
Width mm	Dimensions mm			Weight kg			
Arrangements	B	C	A	Series 1	Series 2	Series 4	Series 7
800	950	958	*	19.9	21.8	24.1	29.6
1000	1150	1158	*	23.5	25.6	28.3	34.5
1200	1400	1408	*	27.0	29.5	32.5	39.7
1400	1600	1608	*	29.9	32.7	36.1	44.0
1600	1800	1808	*	32.8	35.9	39.6	48.3
1800	2000	2008	*		39.1	43.2	52.7
2000	2200	2208	*			46.7	57.0
2200	2400	2408	*			50.3	63.1

# Conveyor **Idlers**

---

Vital to the conveying process, idlers are often required to operate in harsh environments such as: dirty/dusty, high humidity, and drastically high or low temperatures. Challenges of prolonged downtime due to failures, excessive maintenance requirements, rapid belt wear, and belt misalignment can all have a negative impact on productivity and profits. We pride ourselves on making sure you get the right solution for the job – a prerequisite for any sustainable solution.

## **Protect your belt from excessive wear with Metso's impact idlers**

In loading areas, high impact forces from falling material can lead to excessive belt wear and damage. Metso impact idlers are made with rubber tires that absorb the impact of falling material protecting both the conveyor belt and the conveyor structure itself.

## **Maintain belt alignment with Metso's self-training idlers**

When the belt becomes misaligned, it can ride off the idlers encountering support steel or other stationary objects. This can seriously damage a belt, the conveyor structure, and/or other components. Additionally, when the belt becomes misaligned, material spillage can become a problem. Metso offers self-training idlers for both the carry and return sides of the conveyor. The idlers can sense and correct misalignment, avoiding damage and in turn minimizing operating costs.

## **Reduce unplanned downtime with Metso rollers**

In dirty or dusty conditions, foreign material can enter through the sealing system and contaminate the bearing, leading to premature failure. In response, all Metso rollers come with proven seal designs to withstand even the most demanding environments, providing longer life and less downtime.

## **Eliminate tedious maintenance activities with Metso sealed for life bearings**

Rollers that are regreasable require constant maintenance to ensure they have the proper amount of grease for lubrication and seal integrity. If this process is delayed or missed it can lead to roller failure and conveyor downtime. In response Metso offers sealed for life bearings that require no additional maintenance once installed.



## Overview – Carry Idlers

### Troughers



> Extended Life

Troughers are the most common idlers used on the carry side of the conveyor. Extending their life expectancy can be a challenge. Our proven seal design and low maintenance rollers lead to less downtime and increased profits. Metso's troughing idlers come in 20°, 35°, and 45° and meet all CEMA dimensional requirements.

### Impact



> Minimized belt damage

Damaged conveyor belts can result in downtime and high replacement costs. Our impact idlers are designed to be used in impact areas where belt damage is common. Impact rolls are designed with rubber tires which absorb impact forces minimizing belt damage.

### Picking Table



> For easier inspections

When conducting visual or magnetic inspections, conveyed materials that are not properly flattened can cause issues. Metso's picking table idlers spread the material out by using a longer center roll and short concentrator rolls angled at 20° making inspection or tramp iron detection easier and more reliable.

### Flat Belt



> For total coverage

In feeder applications, wide coverage is needed. Metso provides a flat belt idler with a single roll placed horizontally supported on each end. It has a rise bracket to provide the widest coverage while metering material flow.

### Trough Trainer



> Improved alignment

Material spillage can occur when conveyor belts become misaligned. Strategically placing self-training idlers along the conveyor keep the belt running true. Metso's self-trainers are like troughing idlers, but with the ability to pivot at the center and are guided by edge rollers which in turn aligns the belt.

### Live Shaft



> Increased load allowance

High belt tensions can cause idlers to fail. Live shaft idlers are designed to handle higher allowable loads than flat belt idlers. Live shafts are comprised of a single roll with a pillow block bearing at each end.



## Overview – Return Idlers

### Flat Return



> For better belt support

The flat return is the most common idler on the return side of a conveyor. Metso's flat returns support the belt to prevent stretching, sagging, and failure. These idlers consist of a single steel roll mounted on two drop brackets.

### Rubber Disc Return



> Reduced downtime from carryback

A big concern in applications with sticky material is removing material that has become affixed to the belt. Metso's rubber disc returns assist by removing carryback. The rubber disc returns are similar to the flat returns, but have rubber discs strategically placed along the roll, as opposed to a steel shell found on the flat returns.

### V-Return



> Improved tracking and reliability

Aligning high tension fabric or cable belts can be problematic. Metso's v-return idlers provide a truer tracking belt and a longer life than standard flat returns. They consist of two rolls in a v-shaped profile of either 10° or 15°.

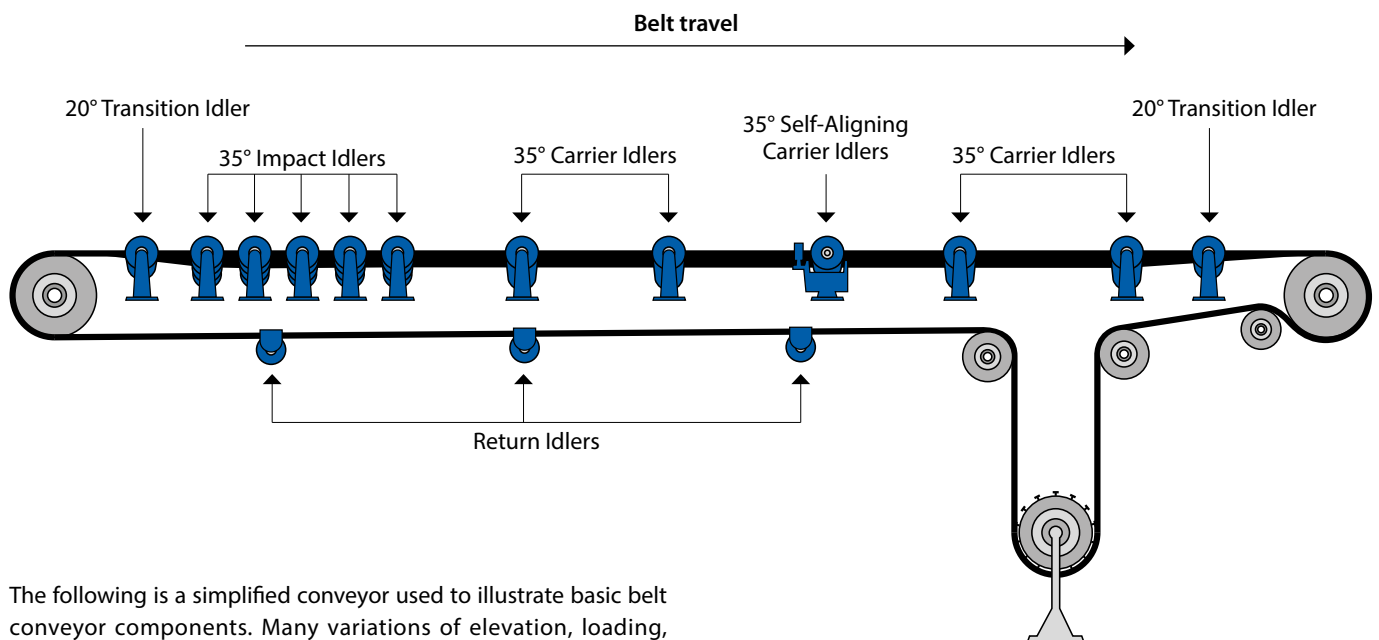
### Return Trainer



> For reduced maintenance

Belt, structure, and component damage can all occur when conveyor belts become misaligned. Self-training return idlers eliminate this concern by ensuring the belt is tracking true. Metso's self-trainers are like flat return idlers, but with the ability to pivot at the center guided by edge rollers which in turn aligns the belt.

# Application



The following is a simplified conveyor used to illustrate basic belt conveyor components. Many variations of elevation, loading, discharge, Idlers and Idler spacing, pulleys, and accessories are possible.

# CEMA Roll and Idler Nomenclature

**D 6 -35- TR -36**

## CEMA Class

C, D and E

## Roll Diameter

C - 4", 5", 6"  
D - 5", 6"  
E - 6", 7"

## Angle/Drop

10°	1.50"
20°	4.50"
35°	6.00"
45°	7.00"

## Idler Type

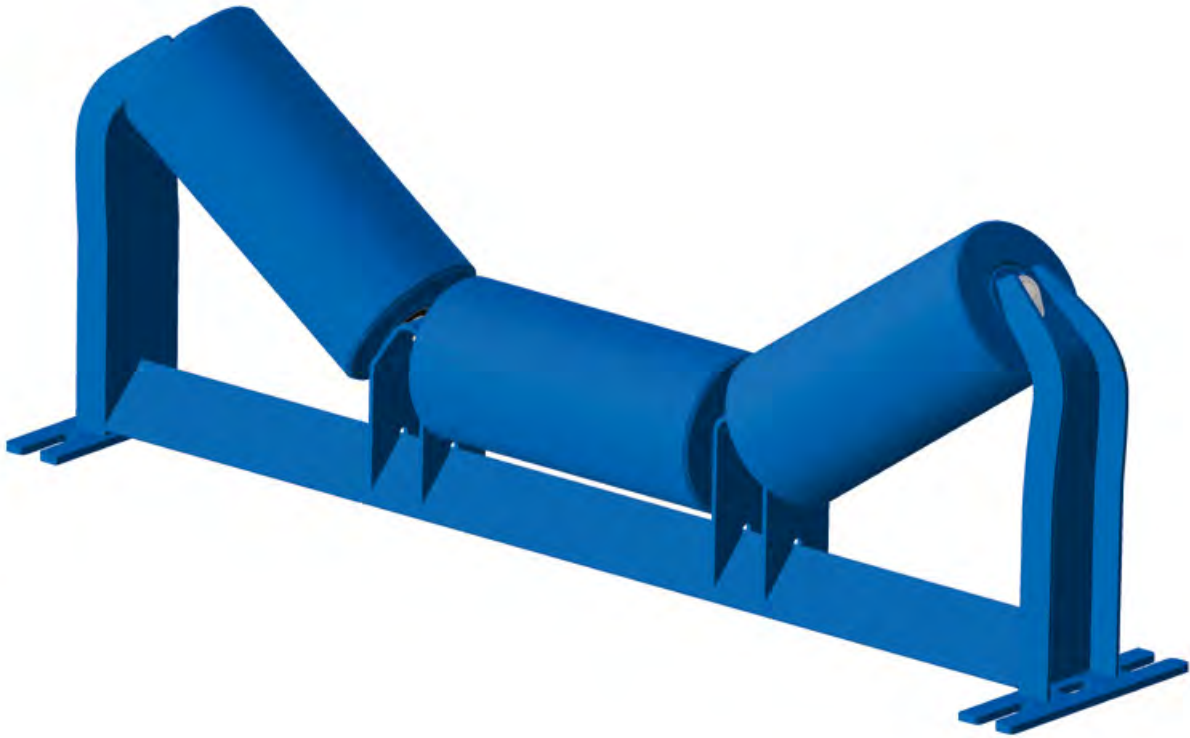
<b>TR</b>	Trough
<b>IM</b>	Impact
<b>PT</b>	Picking Table
<b>IPT</b>	Impact Picking Table
<b>TST</b>	Trough Trainer
<b>FB</b>	Flat Belt
<b>SQ</b>	Scale Quality
<b>AD</b>	Adjustable
<b>TCI</b>	Trough Channel Inset
<b>ICI</b>	Impact Channel Inset
<b>ESI</b>	Energy Saving Idler
<b>RET</b>	Return
<b>RDR</b>	RD Return
<b>RST</b>	Return Trainer
<b>RDRST</b>	RD Return Trainer
<b>VR</b>	V-Return
<b>RDVR</b>	RD V-Return
<b>RCI</b>	Return Channel Inset
<b>RDRCI</b>	RD Return Channel Inset
<b>IVR</b>	Inverted V-Return
<b>IRDVR</b>	Inverted RD V-Return
<b>LS</b>	Steel Live Shaft
<b>ILS</b>	Impact Live Shaft
<b>RDLS</b>	RD Live Shaft

## Belt width

C - 18" to 60"  
D - 24" to 72"  
E - 36" to 96"



# CEMA C – Idler features



## CEMA C – Idler features

- Metso Idlers are designed to fit dimensional constraints and comply with load ratings specified for CEMA C idlers in accordance with CEMA Standard #502.
- Reliable roll construction and quality materials grant confidence and peace of mind for dependable production output.
- Roll features include: maintenance free sealed for life ball bearings, quality steel tube shells, and application proved seal designs.
- World class quality designs with global support.

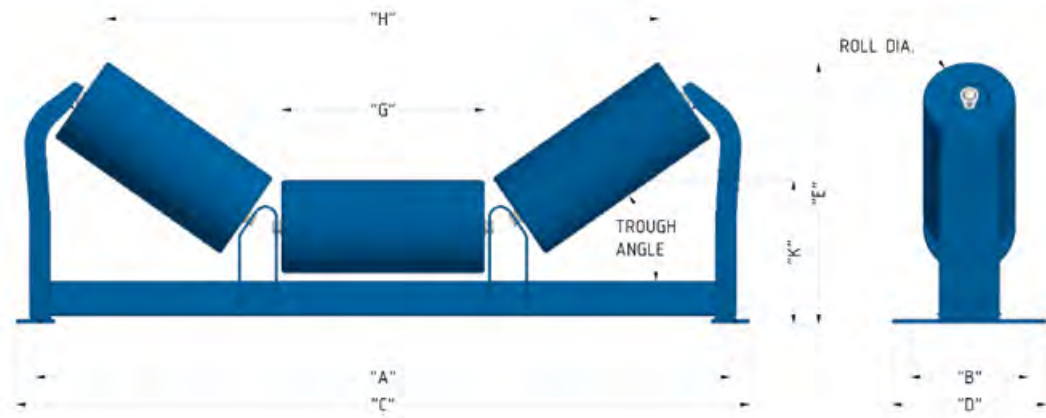
Load Ratings for CEMA C Idlers (lbs)							
Belt Width	Trough Angle			Flat Return	V-Return	Picking Table	Live Shaft
	20°	35°	45°				
18	900	900	900	475	-	-	1 200
24	900	900	900	325	-	475	1 200
30	900	900	900	250	500	475	1 200
36	900	837	810	200	500	325	1 200
42	850	791	765	150	500	250	1 100
48	800	744	720	125	500	200	1 000
54	750	698	675	CEMA D	500	150	875
60	700	650	630	CEMA D	500	125	780

\*Idler load ratings chart provided by Conveyor Equipment Manufacturers Association ANSI/CEMA Std. #502

**Note:** Dimensions for REFERENCE ONLY and are subject to change without notice. Contact us for certified dimension prints.



# CEMA C – Troughers



## 20° Troughers

Belt Width	A	B	C	D	G	5" Roll Diameter					6" Roll Diameter				
						Part Number	E	H	K	Weight	Part Number	E	H	K	Weight
18	27,00	6,00	29,50	10,00	6,84	C5-20-TR-18	11,27	21,75	8,75	45	C6-20-TR-18	11,75	21,43	9,25	54
24	33,00	6,00	35,50	10,00	8,94	C5-20-TR-24	11,97	27,81	8,75	51	C6-20-TR-24	12,46	27,48	9,25	62
30	39,00	6,00	41,50	10,00	11,03	C5-20-TR-30	12,69	33,84	8,75	57	C6-20-TR-30	13,16	33,50	9,25	70
36	45,00	6,00	47,50	10,00	13,13	C5-20-TR-36	13,41	39,88	8,75	63	C6-20-TR-36	13,88	39,56	9,25	78
42	51,00	6,00	53,50	10,00	15,19	C5-20-TR-42	14,12	45,81	8,75	70	C6-20-TR-42	14,59	45,47	9,25	87
48	57,00	6,00	59,50	10,00	17,28	C5-20-TR-48	14,84	51,84	8,75	76	C6-20-TR-48	15,31	51,50	9,25	95
54	63,00	6,00	65,50	10,00	19,34	C5-20-TR-54	16,06	57,78	9,25	84	C6-20-TR-54	16,53	57,44	9,75	103
60	69,00	6,00	71,50	10,00	21,44	C5-20-TR-60	16,75	63,81	9,25	89	C6-20-TR-60	17,22	63,47	9,75	112

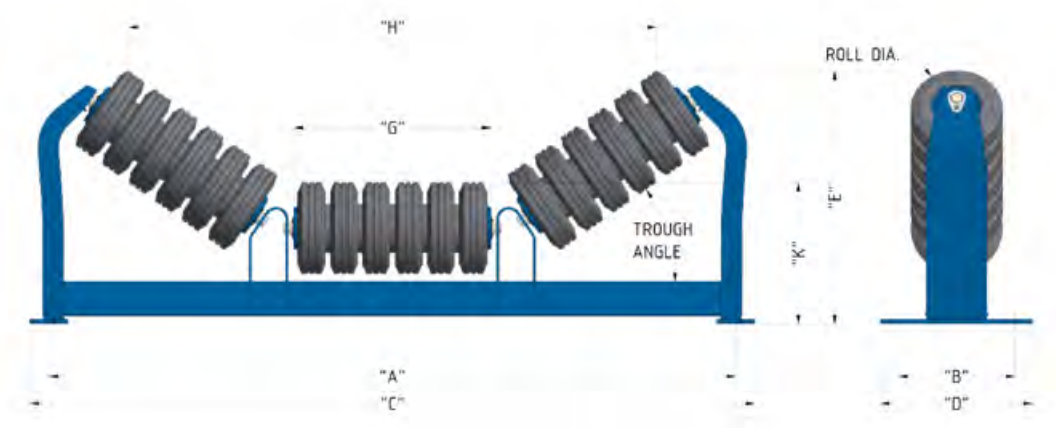
## 35° Troughers

Belt Width	A	B	C	D	G	5" Roll Diameter					6" Roll Diameter				
						Part Number	E	H	K	Weight	Part Number	E	H	K	Weight
18	27,00	6,00	29,50	10,00	6,84	C5-35-TR-18	12,93	19,66	8,75	47	C6-35-TR-18	13,34	19,06	9,25	56
24	33,00	6,00	35,50	10,00	8,94	C5-35-TR-24	14,12	25,16	8,75	53	C6-35-TR-24	14,53	24,59	9,25	64
30	39,00	6,00	41,50	10,00	11,03	C5-35-TR-30	15,31	30,69	8,75	59	C6-35-TR-30	15,72	30,12	9,25	72
36	45,00	6,00	47,50	10,00	13,13	C5-35-TR-36	16,53	36,25	8,75	66	C6-35-TR-36	16,94	35,66	9,25	81
42	51,00	6,00	53,50	10,00	15,19	C5-35-TR-42	17,72	41,69	8,75	73	C6-35-TR-42	18,12	41,11	9,25	89
48	57,00	6,00	59,50	10,00	17,28	C5-35-TR-48	18,91	47,19	8,75	79	C6-35-TR-48	19,31	46,62	9,25	98
54	63,00	6,00	65,50	10,00	19,34	C5-35-TR-54	20,59	52,66	9,25	86	C6-35-TR-54	21,00	52,06	9,75	107
60	69,00	6,00	71,50	10,00	21,44	C5-35-TR-60	21,80	58,16	9,25	93	C6-35-TR-60	22,21	57,59	9,75	116

## 45° Troughers

Belt Width	A	B	C	D	G	5" Roll Diameter					6" Roll Diameter				
						Part Number	E	H	K	Weight	Part Number	E	H	K	Weight
18	27,00	6,00	29,50	10,00	6,84	C5-45-TR-18	13,94	18,18	8,75	45	C6-45-TR-18	14,29	17,48	9,25	60
24	33,00	6,00	35,50	10,00	8,94	C5-45-TR-24	15,43	23,30	8,75	52	C6-45-TR-24	15,78	22,59	9,25	66
30	39,00	6,00	41,50	10,00	11,03	C5-45-TR-30	16,91	28,35	8,75	59	C6-45-TR-30	17,26	27,65	9,25	72
36	45,00	6,00	47,50	10,00	13,13	C5-45-TR-36	18,39	33,40	8,75	67	C6-45-TR-36	18,74	32,71	9,25	82
42	51,00	6,00	53,50	10,00	15,19	C5-45-TR-42	19,85	38,39	8,75	72	C6-45-TR-42	20,20	37,68	9,25	92
48	57,00	6,00	59,50	10,00	17,28	C5-45-TR-48	21,33	43,44	8,75	81	C6-45-TR-48	21,68	42,74	9,25	100
54	63,00	6,00	65,50	10,00	19,34	C5-45-TR-54	23,28	48,42	9,25	93	C6-45-TR-54	23,64	47,71	9,75	114
60	69,00	6,00	71,50	10,00	21,44	C5-45-TR-60	24,77	53,58	9,25	114	C6-45-TR-60	25,12	52,77	9,75	124

# CEMA C – Impacts



## 20° Impacts

Belt Width	A	B	C	D	G	5" Roll Diameter					6" Roll Diameter				
						Part Number	E	H	K	Weight	Part Number	E	H	K	Weight
18	27,00	6,00	29,50	10,00	6,84	C5-20-IM-18	11,16	21,25	8,75	46	C6-20-IM-18	11,66	21,00	9,25	55
24	33,00	6,00	35,50	10,00	8,94	C5-20-IM-24	11,88	27,34	8,75	52	C6-20-IM-24	12,37	27,01	9,25	58
30	39,00	6,00	41,50	10,00	11,03	C5-20-IM-30	12,60	33,37	8,75	60	C6-20-IM-30	13,07	33,03	9,25	67
36	45,00	6,00	47,50	10,00	13,13	C5-20-IM-36	13,32	39,41	8,75	71	C6-20-IM-36	13,79	39,09	9,25	80
42	51,00	6,00	53,50	10,00	15,19	C5-20-IM-42	14,03	45,34	8,75	78	C6-20-IM-42	14,50	45,00	9,25	89
48	57,00	6,00	59,50	10,00	17,28	C5-20-IM-48	14,75	51,37	8,75	87	C6-20-IM-48	15,22	51,03	9,25	99
54	63,00	6,00	65,50	10,00	19,34	C5-20-IM-54	15,97	57,31	9,25	96	C6-20-IM-54	16,44	56,97	9,75	109
60	69,00	6,00	71,50	10,00	21,44	C5-20-IM-60	16,66	63,34	9,25	103	C6-20-IM-60	17,13	63,00	9,75	118

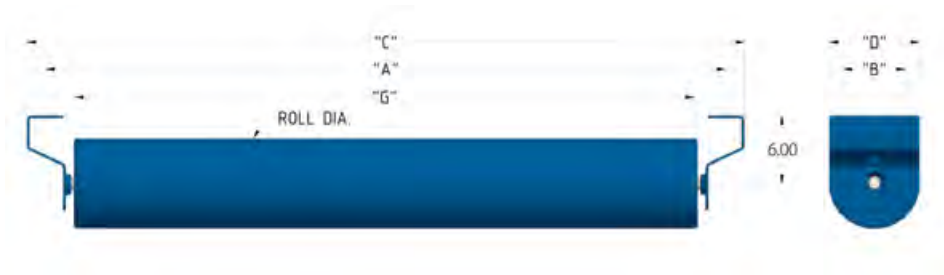
## 35° Impacts

Belt Width	A	B	C	D	G	5" Roll Diameter					6" Roll Diameter				
						Part Number	E	H	K	Weight	Part Number	E	H	K	Weight
18	27,00	6,00	29,50	10,00	6,84	C5-35-IM-18	12,89	19,20	8,75	48	C6-35-IM-18	13,30	18,76	9,25	56
24	33,00	6,00	35,50	10,00	8,94	C5-35-IM-24	13,98	24,75	8,75	54	C6-35-IM-24	14,39	24,18	9,25	62
30	39,00	6,00	41,50	10,00	11,03	C5-35-IM-30	15,17	30,28	8,75	62	C6-35-IM-30	15,58	29,71	9,25	65
36	45,00	6,00	47,50	10,00	13,13	C5-35-IM-36	16,39	35,84	8,75	73	C6-35-IM-36	16,80	35,25	9,25	70
42	51,00	6,00	53,50	10,00	15,19	C5-35-IM-42	17,58	41,28	8,75	81	C6-35-IM-42	17,98	40,70	9,25	82
48	57,00	6,00	59,50	10,00	17,28	C5-35-IM-48	18,77	47,28	8,75	90	C6-35-IM-48	19,17	46,21	9,25	91
54	63,00	6,00	65,50	10,00	19,34	C5-35-IM-54	20,45	52,25	9,25	99	C6-35-IM-54	20,86	51,65	9,75	102
60	69,00	6,00	71,50	10,00	21,44	C5-35-IM-60	21,66	57,75	9,25	107	C6-35-IM-60	22,07	57,18	9,75	113

## 45° Impacts

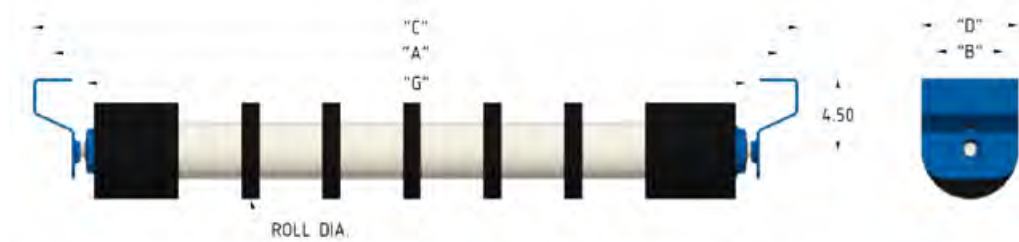
Belt Width	A	B	C	D	G	5" Roll Diameter					6" Roll Diameter				
						Part Number	E	H	K	Weight	Part Number	E	H	K	Weight
18	27,00	6,00	29,50	10,00	6,84	C5-45-IM-18	13,76	17,85	8,75	49	C6-45-IM-18	14,11	17,48	9,25	57
24	33,00	6,00	35,50	10,00	8,94	C5-45-IM-24	15,25	22,95	8,75	55	C6-45-IM-24	15,60	22,59	9,25	63
30	39,00	6,00	41,50	10,00	11,03	C5-45-IM-30	16,73	28,00	8,75	63	C6-45-IM-30	17,08	27,65	9,25	66
36	45,00	6,00	47,50	10,00	13,13	C5-45-IM-36	18,21	33,05	8,75	74	C6-45-IM-36	18,56	32,71	9,25	72
42	51,00	6,00	53,50	10,00	15,19	C5-45-IM-42	19,67	38,04	8,75	81	C6-45-IM-42	20,02	37,68	9,25	86
48	57,00	6,00	59,50	10,00	17,28	C5-45-IM-48	21,15	43,09	8,75	90	C6-45-IM-48	21,50	42,74	9,25	96
54	63,00	6,00	65,50	10,00	19,34	C5-45-IM-54	23,10	48,07	9,25	100	C6-45-IM-54	23,46	47,71	9,75	109
60	69,00	6,00	71,50	10,00	21,44	C5-45-IM-60	24,59	53,23	9,25	108	C6-45-IM-60	24,94	52,77	9,75	129

# CEMA C – Flat Returns



## Flat Returns

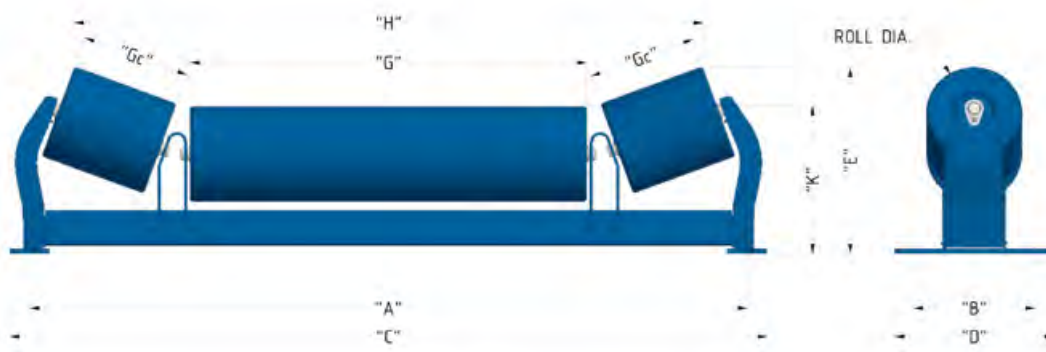
Belt Width	A	B	C	D	G	5" Roll Diameter		6" Roll Diameter	
						Part Number	Weight	Part Number	Weight
18	27,00	4,00	29,88	6,00	23,25	C5-4.50-RET-18	21	C6-4.50-RET-18	33
24	33,00	4,00	35,88	6,00	29,25	C5-4.50-RET-24	25	C6-4.50-RET-24	39
30	39,00	4,00	41,88	6,00	35,25	C5-4.50-RET-30	29	C6-4.50-RET-30	45
36	45,00	4,00	47,88	6,00	41,25	C5-4.50-RET-36	34	C6-4.50-RET-36	52
42	51,00	4,00	53,88	6,00	47,25	C5-4.50-RET-42	38	C6-4.50-RET-42	58
48	57,00	4,00	59,88	6,00	53,25	C5-4.50-RET-48	42	C6-4.50-RET-48	64
54	63,00	4,00	65,88	6,00	59,25	C5-4.50-RET-54	51	C6-4.50-RET-54	75
60	69,00	4,00	71,88	6,00	65,25	C5-4.50-RET-60	58	C6-4.50-RET-60	81



## Rubber Disc Flat Returns

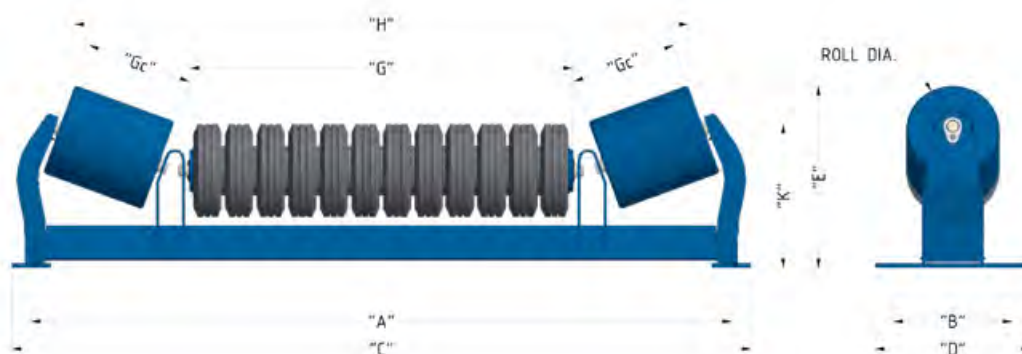
Belt Width	A	B	C	D	G	5" Roll Diameter		6" Roll Diameter	
						Part Number	Weight	Part Number	Weight
18	27,00	4,00	29,88	6,00	23,25	C5-4.50-RDR-18	28	C6-4.50-RDR-18	33
24	33,00	4,00	35,88	6,00	29,25	C5-4.50-RDR-24	32	C6-4.50-RDR-24	37
30	39,00	4,00	41,88	6,00	35,25	C5-4.50-RDR-30	35	C6-4.50-RDR-30	41
36	45,00	4,00	47,88	6,00	41,25	C5-4.50-RDR-36	39	C6-4.50-RDR-36	45
42	51,00	4,00	53,88	6,00	47,25	C5-4.50-RDR-42	42	C6-4.50-RDR-42	49
48	57,00	4,00	59,88	6,00	53,25	C5-4.50-RDR-48	46	C6-4.50-RDR-48	53
54	63,00	4,00	65,88	6,00	59,25	C5-4.50-RDR-54	55	C6-4.50-RDR-54	63
60	69,00	4,00	71,88	6,00	65,25	C5-4.50-RDR-60	59	C6-4.50-RDR-60	67

# CEMA C – Picking Tables



## 20° Picking Tables

Belt Width	A	B	C	D	G	G <sub>c</sub>	5" Roll Diameter				6" Roll Diameter					
							Part Number	E	H	K	Weight	Part Number	E	H	K	Weight
24	33,00	6,00	35,50	10,00	12,84	6,84	C5-20-PT-24	11,27	27,75	8,75	49	C6-20-PT-24	11,74	27,48	9,25	60
30	39,00	6,00	41,50	10,00	18,84	6,84	C5-20-PT-30	11,27	33,75	8,75	55	C6-20-PT-30	11,74	33,50	9,25	68
36	45,00	6,00	47,50	10,00	24,84	6,84	C5-20-PT-36	11,27	39,75	8,75	60	C6-20-PT-36	11,74	39,56	9,25	75
42	51,00	6,00	53,50	10,00	30,84	6,84	C5-20-PT-42	11,27	45,75	8,75	66	C6-20-PT-42	11,74	45,47	9,25	83
48	57,00	6,00	59,50	10,00	36,84	6,84	C5-20-PT-48	11,27	51,75	8,75	72	C6-20-PT-48	11,74	51,50	9,25	91
54	63,00	6,00	65,50	10,00	42,84	6,84	C5-20-PT-54	11,77	57,75	9,25	78	C6-20-PT-54	12,24	57,44	9,75	99
60	69,00	6,00	71,50	10,00	48,84	6,84	C5-20-PT-60	11,77	63,75	9,25	84	C6-20-PT-60	12,24	63,47	9,75	106

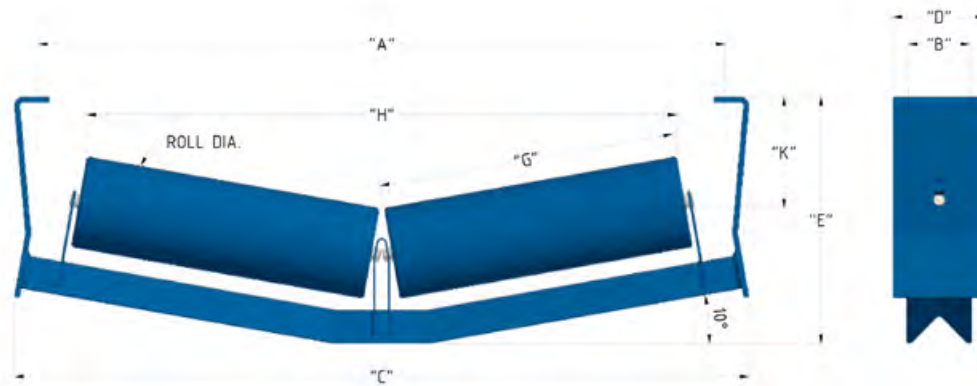


## 20° Impact Picking Tables

Belt Width	A	B	C	D	G	G <sub>c</sub>	5" Roll Diameter				6" Roll Diameter					
							Part Number	E	H	K	Weight	Part Number	E	H	K	Weight
24	33,00	6,00	35,50	10,00	12,84	6,84	C5-20-IPT-24	11,27	27,75	8,75	52	C6-20-IPT-24	11,74	27,48	9,25	61
30	39,00	6,00	41,50	10,00	18,84	6,84	C5-20-IPT-30	11,27	33,75	8,75	60	C6-20-IPT-30	11,74	33,50	9,25	70
36	45,00	6,00	47,50	10,00	24,84	6,84	C5-20-IPT-36	11,27	39,75	8,75	65	C6-20-IPT-36	11,74	39,56	9,25	77
42	51,00	6,00	53,50	10,00	30,84	6,84	C5-20-IPT-42	11,27	45,75	8,75	71	C6-20-IPT-42	11,74	45,47	9,25	83
48	57,00	6,00	59,50	10,00	36,84	6,84	C5-20-IPT-48	11,27	51,75	8,75	80	C6-20-IPT-48	11,74	51,50	9,25	96
54	63,00	6,00	65,50	10,00	42,84	6,84	C5-20-IPT-54	11,77	57,75	9,25	88	C6-20-IPT-54	12,24	57,44	9,75	105
60	69,00	6,00	71,50	10,00	48,84	6,84	C5-20-IPT-60	11,77	63,75	9,25	92	C6-20-IPT-60	12,24	63,47	9,75	110

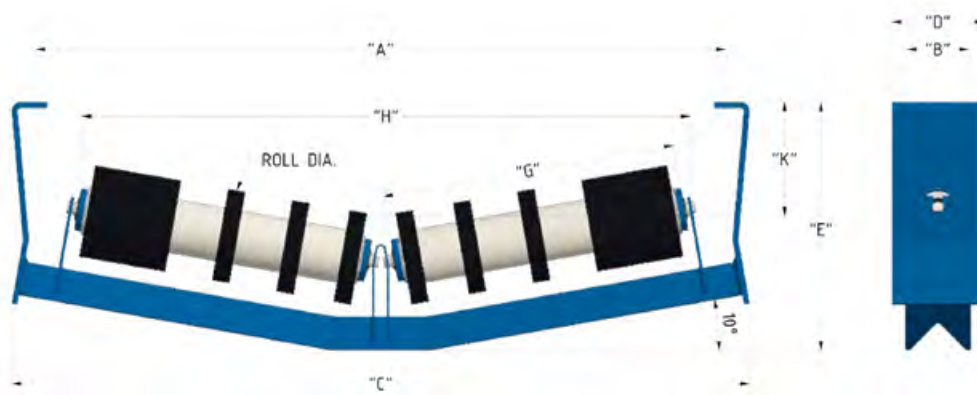


# CEMA C – V>Returns



## 10° V>Returns

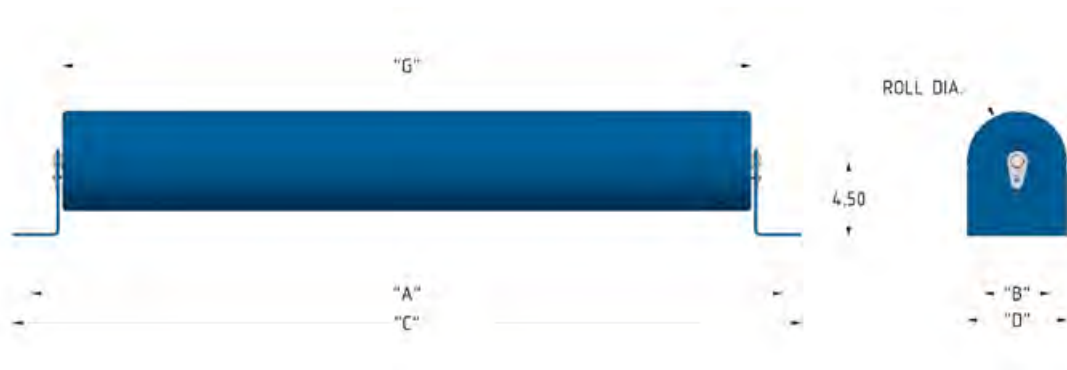
Belt Width	A	B	C	D	E	G	5" Roll Diameter				6" Roll Diameter			
							Part Number	H	K	Weight	Part Number	H	K	Weight
18	27,00	4,00	30,00	6,00	14,43	11,03	C5-10-VR-18	22,84	6,25	50	C6-10-VR-18	22,66	5,74	58
24	33,00	4,00	36,00	6,00	14,93	13,12	C5-10-VR-24	26,96	6,75	55	C6-10-VR-24	26,78	6,24	64
30	39,00	4,00	42,00	6,00	15,68	17,28	C5-10-VR-30	35,15	7,50	62	C6-10-VR-30	34,97	6,99	74
36	45,00	4,00	48,00	6,00	16,07	19,34	C5-10-VR-36	39,21	7,88	72	C6-10-VR-36	39,03	7,37	85
42	51,00	4,00	54,00	6,00	16,70	23,25	C5-10-VR-42	46,91	8,50	79	C6-10-VR-42	46,73	7,99	94
48	57,00	4,00	60,00	6,00	17,56	26,25	C5-10-VR-48	52,82	9,00	95	C6-10-VR-48	52,64	8,49	107
54	63,00	4,00	66,00	6,00	18,19	29,25	C5-10-VR-54	58,73	9,62	101	C6-10-VR-54	58,55	9,11	116
60	69,00	4,00	72,00	6,00	19,08	32,25	C5-10-VR-60	64,64	10,12	114	C6-10-VR-60	64,46	9,61	129



## 10° Rubber Disc V>Returns

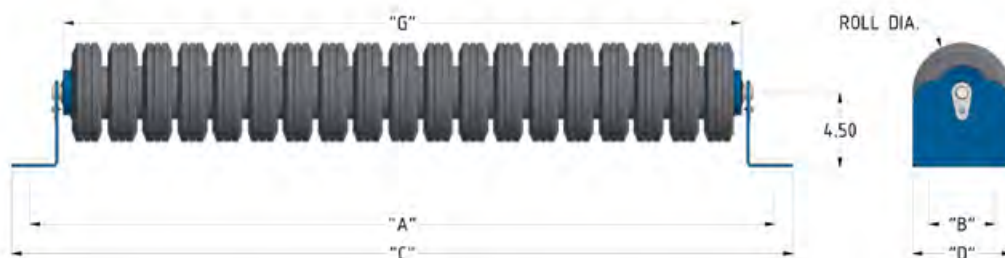
Belt Width	A	B	C	D	E	G	5" Roll Diameter				6" Roll Diameter			
							Part Number	H	K	Weight	Part Number	H	K	Weight
18	27,00	4,00	30,00	6,00	14,43	11,03	C5-10-RDVR-18	22,84	6,25	54	C6-10-RDVR-18	22,66	5,74	55
24	33,00	4,00	36,00	6,00	14,93	13,12	C5-10-RDVR-24	26,96	6,75	60	C6-10-RDVR-24	26,78	6,24	62
30	39,00	4,00	42,00	6,00	15,68	17,28	C5-10-RDVR-30	35,15	7,50	67	C6-10-RDVR-30	34,97	6,99	69
36	45,00	4,00	48,00	6,00	16,07	19,34	C5-10-RDVR-36	39,21	7,88	76	C6-10-RDVR-36	39,03	7,37	78
42	51,00	4,00	54,00	6,00	16,70	23,25	C5-10-RDVR-42	46,91	8,50	84	C6-10-RDVR-42	46,73	7,99	86
48	57,00	4,00	60,00	6,00	17,56	26,25	C5-10-RDVR-48	52,82	9,00	95	C6-10-RDVR-48	52,64	8,49	97
54	63,00	4,00	66,00	6,00	18,19	29,25	C5-10-RDVR-54	58,73	9,62	100	C6-10-RDVR-54	58,55	9,11	103
60	69,00	4,00	72,00	6,00	19,08	32,25	C5-10-RDVR-60	64,64	10,12	112	C6-10-RDVR-60	64,46	9,61	115

# CEMA C – Flat Belts



## Flat Belts

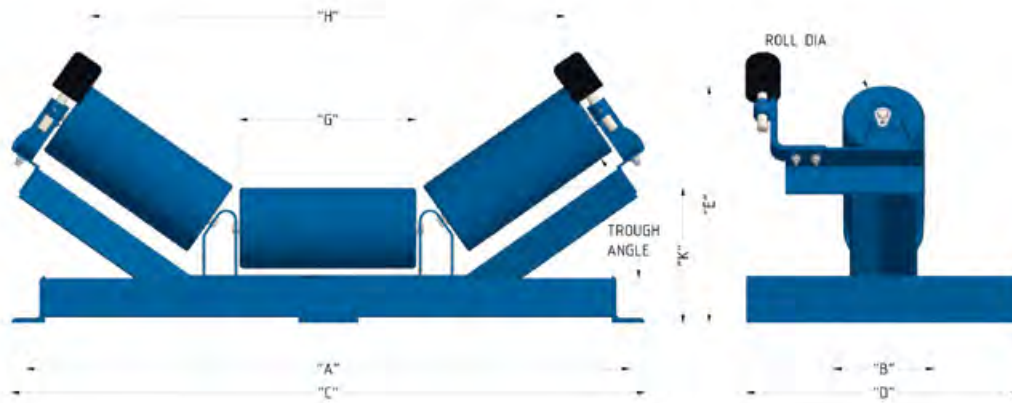
Belt Width	A	B	C	D	G	5" Roll Diameter		6" Roll Diameter	
						Part Number	Weight	Part Number	Weight
18	27,00	4,00	29,25	6,00	23,25	C5-4.50-FB-18	23	C6-4.50-FB-18	31
24	33,00	4,00	35,25	6,00	29,25	C5-4.50-FB-24	26	C6-4.50-FB-24	36
30	39,00	4,00	41,25	6,00	35,25	C5-4.50-FB-30	30	C6-4.50-FB-30	42
36	45,00	4,00	47,25	6,00	41,25	C5-4.50-FB-36	35	C6-4.50-FB-36	48
42	51,00	4,00	53,25	6,00	47,25	C5-4.50-FB-42	38	C6-4.50-FB-42	54
48	57,00	4,00	59,25	6,00	53,25	C5-4.50-FB-48	42	C6-4.50-FB-48	60
54	63,00	4,00	65,25	6,00	59,25	C5-4.50-FB-54	51	C6-4.50-FB-54	70
60	69,00	4,00	71,25	6,00	65,25	C5-4.50-FB-60	55	C6-4.50-FB-60	76



## Impact Flat Belts

Belt Width	A	B	C	D	G	5" Roll Diameter		6" Roll Diameter	
						Part Number	Weight	Part Number	Weight
18	27,00	4,00	29,25	6,00	23,25	C5-4.50-IFB-18	27	C6-4.50-IFB-18	32
24	33,00	4,00	35,25	6,00	29,25	C5-4.50-IFB-24	31	C6-4.50-IFB-24	37
30	39,00	4,00	41,25	6,00	35,25	C5-4.50-IFB-30	36	C6-4.50-IFB-30	43
36	45,00	4,00	47,25	6,00	41,25	C5-4.50-IFB-36	47	C6-4.50-IFB-36	56
42	51,00	4,00	53,25	6,00	47,25	C5-4.50-IFB-42	51	C6-4.50-IFB-42	61
48	57,00	4,00	59,25	6,00	53,25	C5-4.50-IFB-48	59	C6-4.50-IFB-48	70
54	63,00	4,00	65,25	6,00	59,25	C5-4.50-IFB-54	64	C6-4.50-IFB-54	76
60	69,00	4,00	71,25	6,00	65,25	C5-4.50-IFB-60	69	C6-4.50-IFB-60	82

# CEMA C – Self Training Troughers



## 20° Self Training Troughers

Belt Width	A	B	C	D	G	5" Roll Diameter					6" Roll Diameter				
						Part Number	E	H	K	Weight	Part Number	E	H	K	Weight
18	27,00	6,00	29,25	18,00	6,84	C5-20-TST-18	11,77	21,75	9,25	109	C6-20-TST-18	12,25	21,43	9,75	117
24	33,00	6,00	35,25	18,00	8,94	C5-20-TST-24	12,47	27,81	9,25	121	C6-20-TST-24	12,96	27,48	9,75	132
30	39,00	6,00	41,25	18,00	11,03	C5-20-TST-30	13,19	33,84	9,25	135	C6-20-TST-30	13,66	33,50	9,75	148
36	45,00	6,00	47,25	18,00	13,13	C5-20-TST-36	13,91	39,88	9,25	147	C6-20-TST-36	14,38	39,56	9,75	162
42	51,00	6,00	53,25	18,00	15,19	C5-20-TST-42	14,62	45,81	9,25	158	C6-20-TST-42	15,09	45,47	9,75	175
48	57,00	6,00	59,25	18,00	17,28	C5-20-TST-48	15,59	51,84	9,50	191	C6-20-TST-48	16,06	51,50	10,00	210
54	63,00	6,00	65,25	18,00	19,34	C5-20-TST-54	16,28	57,78	9,50	205	C6-20-TST-54	16,75	57,44	10,00	226
60	69,00	6,00	71,25	18,00	21,44	C5-20-TST-60	17,00	63,81	9,50	218	C6-20-TST-60	17,47	63,47	10,00	241

## 35° Self Training Troughers

Belt Width	A	B	C	D	G	5" Roll Diameter					6" Roll Diameter				
						Part Number	E	H	K	Weight	Part Number	E	H	K	Weight
18	27,00	6,00	29,25	18,00	6,84	C5-35-TST-18	13,43	19,66	9,25	107	C6-35-TST-18	13,84	19,06	9,75	118
24	33,00	6,00	35,25	18,00	8,94	C5-35-TST-24	14,62	25,16	9,25	122	C6-35-TST-24	15,03	24,59	9,75	133
30	39,00	6,00	41,25	18,00	11,03	C5-35-TST-30	15,81	30,69	9,25	137	C6-35-TST-30	16,22	30,12	9,75	150
36	45,00	6,00	47,25	18,00	13,13	C5-35-TST-36	17,03	36,25	9,25	148	C6-35-TST-36	17,44	35,66	9,75	163
42	51,00	6,00	53,25	18,00	15,19	C5-35-TST-42	18,22	41,69	9,25	160	C6-35-TST-42	18,62	41,11	9,75	177
48	57,00	6,00	59,25	18,00	17,28	C5-35-TST-48	19,66	47,19	9,50	194	C6-35-TST-48	20,06	46,62	10,00	213
54	63,00	6,00	65,25	18,00	19,34	C5-35-TST-54	20,84	52,66	9,50	208	C6-35-TST-54	21,25	52,06	10,00	229
60	69,00	6,00	71,25	18,00	21,44	C5-35-TST-60	22,03	58,16	9,50	220	C6-35-TST-60	22,44	57,59	10,00	244

## 45° Self Training Troughers

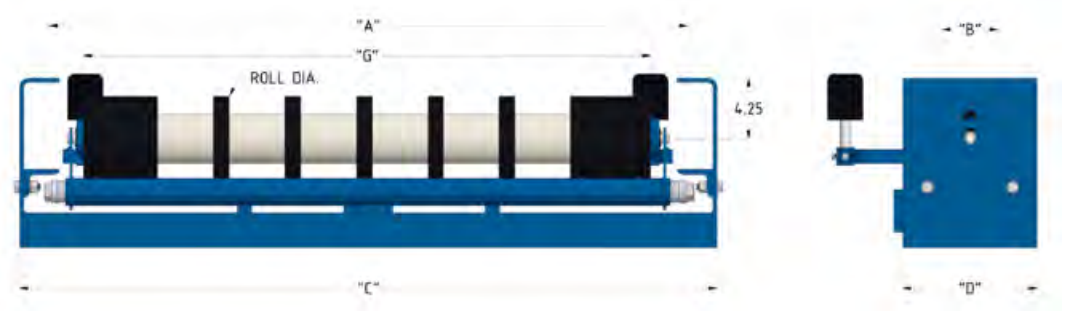
Belt Width	A	B	C	D	G	5" Roll Diameter					6" Roll Diameter				
						Part Number	E	H	K	Weight	Part Number	E	H	K	Weight
18	27,00	6,00	29,25	18,00	6,84	C5-45-TST-18	14,44	18,18	9,25	125	C6-45-TST-18	14,79	17,48	9,75	136
24	33,00	6,00	35,25	18,00	8,94	C5-45-TST-24	15,93	23,30	9,25	139	C6-45-TST-24	16,28	22,59	9,75	152
30	39,00	6,00	41,25	18,00	11,03	C5-45-TST-30	17,41	28,35	9,25	155	C6-45-TST-30	17,76	27,65	9,75	168
36	45,00	6,00	47,25	18,00	13,13	C5-45-TST-36	18,89	33,40	9,25	169	C6-45-TST-36	19,24	32,71	9,75	184
42	51,00	6,00	53,25	18,00	15,19	C5-45-TST-42	20,35	38,39	9,25	185	C6-45-TST-42	20,70	37,68	9,75	207
48	57,00	6,00	59,25	18,00	17,28	C5-45-TST-48	22,08	43,44	9,50	202	C6-45-TST-48	22,43	42,74	10,00	221
54	63,00	6,00	65,25	18,00	19,34	C5-45-TST-54	23,53	48,42	9,50	211	C6-45-TST-54	23,89	47,71	10,00	232
60	69,00	6,00	71,25	18,00	21,44	C5-45-TST-60	25,02	53,58	9,50	240	C6-45-TST-60	25,37	52,77	10,00	266

# CEMA C – Self Training Returns



## Self Training Returns

Belt Width	A	B	C	D	E	G	5" Roll Diameter		6" Roll Diameter	
							Part Number	Weight	Part Number	Weight
18	27,00	4,00	31,10	9,50	4,25	23,25	C5-4.50-RST-18	102	C6-4.50-RST-18	111
24	33,00	4,00	37,10	9,50	4,25	29,25	C5-4.50-RST-24	114	C6-4.50-RST-24	124
30	39,00	4,00	43,10	9,50	4,25	35,25	C5-4.50-RST-30	126	C6-4.50-RST-30	138
36	45,00	4,00	49,10	9,50	4,25	41,25	C5-4.50-RST-36	146	C6-4.50-RST-36	160
42	51,00	4,00	55,10	9,50	4,25	47,25	C5-4.50-RST-42	158	C6-4.50-RST-42	174
48	57,00	4,00	61,10	9,50	4,25	53,25	C5-4.50-RST-48	170	C6-4.50-RST-48	188
54	63,00	4,00	67,10	9,50	4,25	59,25	C5-4.50-RST-54	186	C6-4.50-RST-54	206
60	69,00	4,00	73,10	9,50	4,25	65,25	C5-4.50-RST-60	199	C6-4.50-RST-60	220

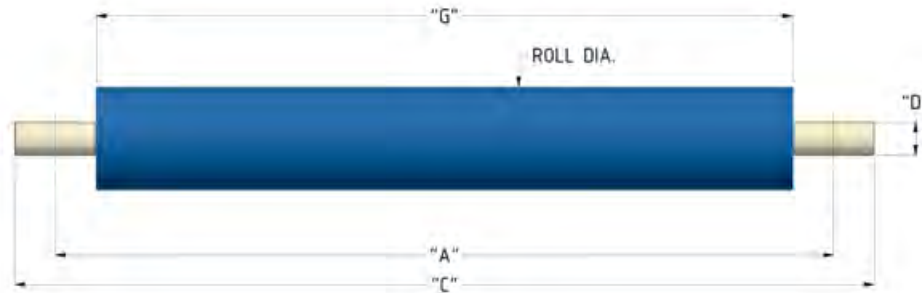


## Rubber Disc Self Training Returns

Belt Width	A	B	C	D	E	G	5" Roll Diameter		6" Roll Diameter	
							Part Number	Weight	Part Number	Weight
18	27,00	4,00	31,10	9,50	4,25	23,25	C5-4.50-RDRST-18	105	C6-4.50-RDRST-18	111
24	33,00	4,00	37,10	9,50	4,25	29,25	C5-4.50-RDRST-24	117	C6-4.50-RDRST-24	122
30	39,00	4,00	43,10	9,50	4,25	35,25	C5-4.50-RDRST-30	128	C6-4.50-RDRST-30	134
36	45,00	4,00	49,10	9,50	4,25	41,25	C5-4.50-RDRST-36	147	C6-4.50-RDRST-36	153
42	51,00	4,00	55,10	9,50	4,25	47,25	C5-4.50-RDRST-42	158	C6-4.50-RDRST-42	165
48	57,00	4,00	61,10	9,50	4,25	53,25	C5-4.50-RDRST-48	170	C6-4.50-RDRST-48	177
54	63,00	4,00	67,10	9,50	4,25	59,25	C5-4.50-RDRST-54	186	C6-4.50-RDRST-54	193
60	69,00	4,00	73,10	9,50	4,25	65,25	C5-4.50-RDRST-60	199	C6-4.50-RDRST-60	206

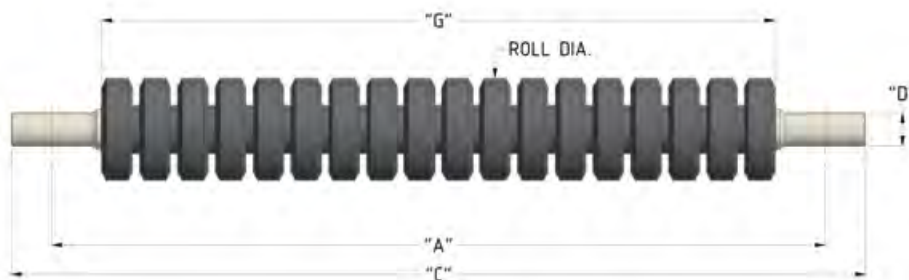


# CEMA C – Live Shafts



## Live Shafts

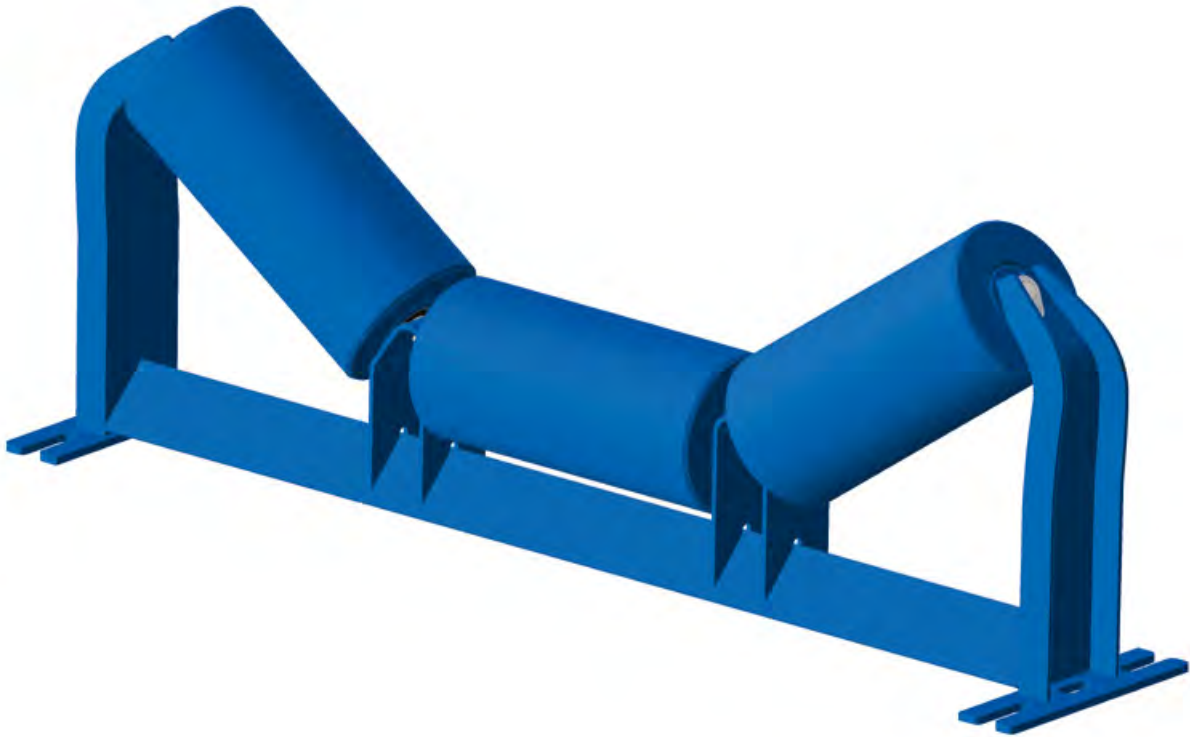
Belt Width	A	C	D	G	5" Roll Diameter		6" Roll Diameter	
					Part Number	Weight	Part Number	Weight
18	27,00	31,50	1,44	22,50	C5-LS-18	32	C6-LS-18	37
24	33,00	37,50	1,44	28,50	C5-LS-24	40	C6-LS-24	46
30	39,00	43,50	1,44	34,50	C5-LS-30	49	C6-LS-30	56
36	45,00	49,50	1,44	40,50	C5-LS-36	57	C6-LS-36	66
42	51,00	55,50	1,44	46,50	C5-LS-42	65	C6-LS-42	75
48	57,00	61,50	1,44	52,50	C5-LS-48	74	C6-LS-48	85
54	63,00	67,50	1,44	58,50	C5-LS-54	83	C6-LS-54	96
60	69,00	73,50	1,44	64,50	C5-LS-60	91	C6-LS-60	106



## Impact Live Shafts

Belt Width	A	C	D	G	5" Roll Diameter		6" Roll Diameter	
					Part Number	Weight	Part Number	Weight
18	27,00	31,50	1,44	22,50	C5-ILS-18	35	C6-ILS-18	40
24	33,00	37,50	1,44	28,50	C5-ILS-24	43	C6-ILS-24	49
30	39,00	43,50	1,44	34,50	C5-ILS-30	52	C6-ILS-30	59
36	45,00	49,50	1,44	40,50	C5-ILS-36	60	C6-ILS-36	69
42	51,00	55,50	1,44	46,50	C5-ILS-42	68	C6-ILS-42	78
48	57,00	61,50	1,44	52,50	C5-ILS-48	77	C6-ILS-48	88
54	63,00	67,50	1,44	58,50	C5-ILS-54	86	C6-ILS-54	99
60	69,00	73,50	1,44	64,50	C5-ILS-60	94	C6-ILS-60	109

# CEMA D – Idler features



## CEMA D – Idler features

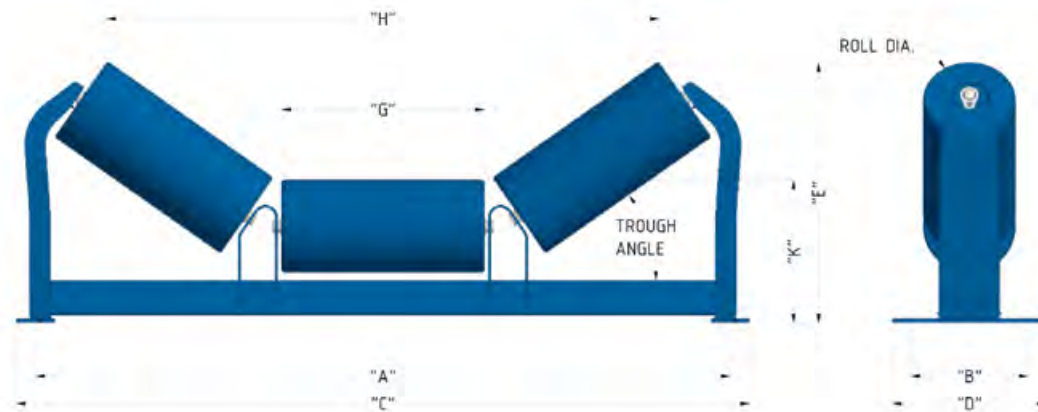
- Metso Idlers are designed to fit dimensional constraints and comply with load ratings specified for CEMA D idlers in accordance with CEMA Standard #502.
- Reliable roll construction and quality materials grant confidence and peace of mind for dependable production output.
- Roll features include: maintenance free sealed for life ball bearings, quality steel tube shells, and application proved seal designs.
- World class quality designs with global support.

Load Ratings for CEMA D Idlers (lbs)							
Belt Width	Trough Angle			Flat Return	V-Return	Picking Table	Live Shaft
	20°	35°	45°				
24	1 200	1 200	1 200	600	-	600	1 400
30	1 200	1 200	1 200	600	-	600	1 400
36	1 200	1 200	1 200	600	850	600	1 400
42	1 200	1 200	1 200	500	850	600	1 400
48	1 200	1 200	1 200	425	850	530	1 275
54	1 200	1 116	1 080	375	850	440	1 150
60	1 150	1 070	1 035	280	850	400	1 000
72	1 050	977	945	155	850	280	850

\*Idler load ratings chart provided by Conveyor Equipment Manufacturers Association ANSI/CEMA Std. #502

**Note:** Dimensions for REFERENCE ONLY and are subject to change without notice. Contact us for certified dimension prints.

# CEMA D – Troughers



## 20° Troughers

Belt Width	A	B	C	D	G	5" Roll Diameter					6" Roll Diameter				
						Part Number	E	H	K	Weight	Part Number	E	H	K	Weight
24	33,00	6,00	35,50	10,00	8,94	D5-20-TR-24	11,97	27,81	8,75	53	D6-20-TR-24	12,46	27,48	9,25	66
30	39,00	6,00	41,50	10,00	11,03	D5-20-TR-30	12,69	33,84	8,75	61	D6-20-TR-30	13,16	33,50	9,25	76
36	45,00	6,00	47,50	10,00	13,13	D5-20-TR-36	13,41	39,88	8,75	74	D6-20-TR-36	13,88	39,56	9,25	91
42	51,00	6,00	53,50	10,00	15,19	D5-20-TR-42	14,12	45,81	8,75	82	D6-20-TR-42	14,59	45,47	9,25	102
48	57,00	6,00	59,50	10,00	17,28	D5-20-TR-48	14,84	51,84	8,75	90	D6-20-TR-48	15,31	51,50	9,25	112
54	63,00	6,00	65,50	10,00	19,34	D5-20-TR-54	16,06	57,78	9,25	107	D6-20-TR-54	16,53	57,44	9,75	130
60	69,00	6,00	71,50	10,00	21,44	D5-20-TR-60	16,75	63,81	9,25	115	D6-20-TR-60	17,22	63,47	9,75	142
72	81,00	6,00	83,50	10,00	25,44	D5-20-TR-72	18,13	75,32	9,25	133	D6-20-TR-72	18,60	74,98	9,75	163

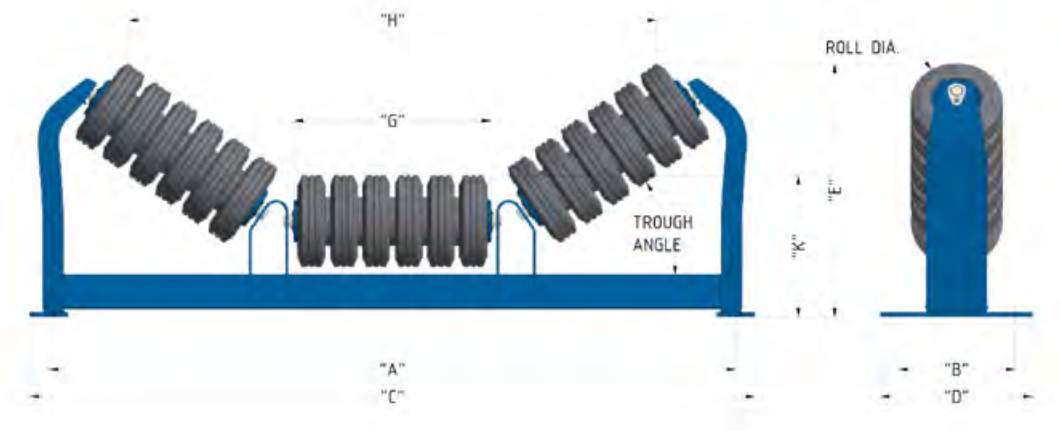
## 35° Troughers

Belt Width	A	B	C	D	G	5" Roll Diameter					6" Roll Diameter				
						Part Number	E	H	K	Weight	Part Number	E	H	K	Weight
24	33,00	6,00	35,50	10,00	8,94	D5-35-TR-24	14,12	25,16	8,75	56	D6-35-TR-24	14,53	24,59	9,25	69
30	39,00	6,00	41,50	10,00	11,03	D5-35-TR-30	15,31	30,69	8,75	64	D6-35-TR-30	15,72	30,12	9,25	79
36	45,00	6,00	47,50	10,00	13,13	D5-35-TR-36	16,53	36,25	8,75	76	D6-35-TR-36	16,94	35,66	9,25	94
42	51,00	6,00	53,50	10,00	15,19	D5-35-TR-42	17,72	41,69	8,75	85	D6-35-TR-42	18,12	41,11	9,25	105
48	57,00	6,00	59,50	10,00	17,28	D5-35-TR-48	18,91	47,19	8,75	94	D6-35-TR-48	19,31	46,62	9,25	116
54	63,00	6,00	65,50	10,00	19,34	D5-35-TR-54	20,59	52,66	9,25	109	D6-35-TR-54	21,00	52,06	9,75	133
60	69,00	6,00	71,50	10,00	21,44	D5-35-TR-60	21,80	58,16	9,25	119	D6-35-TR-60	22,21	57,59	9,75	145
72	81,00	6,00	83,50	10,00	25,44	D5-35-TR-72	24,09	68,71	9,25	137	D6-35-TR-72	24,50	68,14	9,75	167

## 45° Troughers

Belt Width	A	B	C	D	G	5" Roll Diameter					6" Roll Diameter				
						Part Number	E	H	K	Weight	Part Number	E	H	K	Weight
24	33,00	6,00	35,50	10,00	8,94	D5-45-TR-24	15,43	23,30	8,75	56	D6-45-TR-24	15,78	22,59	9,25	70
30	39,00	6,00	41,50	10,00	11,03	D5-45-TR-30	16,91	28,35	8,75	65	D6-45-TR-30	17,26	27,65	9,25	80
36	45,00	6,00	47,50	10,00	13,13	D5-45-TR-36	18,39	33,40	8,75	77	D6-45-TR-36	18,74	32,71	9,25	95
42	51,00	6,00	53,50	10,00	15,19	D5-45-TR-42	19,85	38,39	8,75	86	D6-45-TR-42	20,20	37,68	9,25	106
48	57,00	6,00	59,50	10,00	17,28	D5-45-TR-48	21,33	43,44	8,75	95	D6-45-TR-48	21,68	42,74	9,25	117
54	63,00	7,50	65,50	11,50	19,34	D5-45-TR-54	23,28	48,42	9,25	114	D6-45-TR-54	23,64	47,71	9,75	138
60	69,00	7,50	71,50	11,50	21,44	D5-45-TR-60	24,77	53,58	9,25	124	D6-45-TR-60	25,12	52,77	9,75	150
72	81,00	7,50	83,50	11,50	25,44	D5-45-TR-72	27,59	63,14	9,25	142	D6-45-TR-72	27,95	62,43	9,75	173

# CEMA D – Impacts



## 20° Impacts

Belt Width	A	B	C	D	G	5" Roll Diameter					6" Roll Diameter				
						Part Number	E	H	K	Weight	Part Number	E	H	K	Weight
24	33,00	6,00	35,50	10,00	8,94	D5-20-IM-24	11,88	27,34	8,75	53	D6-20-IM-24	12,37	27,01	9,25	72
30	39,00	6,00	41,50	10,00	11,03	D5-20-IM-30	12,60	33,37	8,75	62	D6-20-IM-30	13,07	33,03	9,25	85
36	45,00	6,00	47,50	10,00	13,13	D5-20-IM-36	13,32	39,41	8,75	77	D6-20-IM-36	13,79	39,09	9,25	104
42	51,00	6,00	53,50	10,00	15,19	D5-20-IM-42	14,03	45,34	8,75	86	D6-20-IM-42	14,50	45,00	9,25	117
48	57,00	6,00	59,50	10,00	17,28	D5-20-IM-48	14,75	51,37	8,75	96	D6-20-IM-48	15,22	51,03	9,25	131
54	63,00	6,00	65,50	10,00	19,34	D5-20-IM-54	15,97	57,31	9,25	113	D6-20-IM-54	16,44	56,97	9,75	154
60	69,00	6,00	71,50	10,00	21,44	D5-20-IM-60	16,66	63,34	9,25	122	D6-20-IM-60	17,13	63,00	9,75	167
72	81,00	6,00	83,50	10,00	25,44	D5-20-IM-72	18,04	74,85	9,25	139	D6-20-IM-72	18,51	74,51	9,75	194

## 35° Impacts

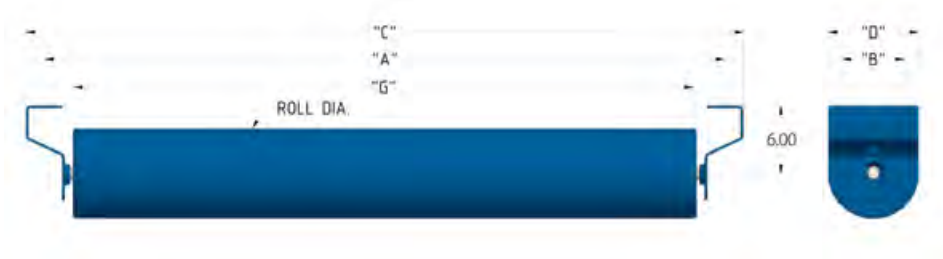
Belt Width	A	B	C	D	G	5" Roll Diameter					6" Roll Diameter				
						Part Number	E	H	K	Weight	Part Number	E	H	K	Weight
24	33,00	6,00	35,50	10,00	8,94	D5-35-IM-24	13,98	24,75	8,75	55	D6-35-IM-24	14,39	24,18	9,25	74
30	39,00	6,00	41,50	10,00	11,03	D5-35-IM-30	15,17	30,28	8,75	64	D6-35-IM-30	15,58	29,71	9,25	87
36	45,00	6,00	47,50	10,00	13,13	D5-35-IM-36	16,39	35,84	8,75	79	D6-35-IM-36	16,80	35,25	9,25	106
42	51,00	6,00	53,50	10,00	15,19	D5-35-IM-42	17,58	41,28	8,75	89	D6-35-IM-42	17,98	40,70	9,25	120
48	57,00	6,00	59,50	10,00	17,28	D5-35-IM-48	18,77	47,28	8,75	99	D6-35-IM-48	19,17	46,21	9,25	134
54	63,00	6,00	65,50	10,00	19,34	D5-35-IM-54	20,45	52,25	9,25	117	D6-35-IM-54	20,86	51,65	9,75	156
60	69,00	6,00	71,50	10,00	21,44	D5-35-IM-60	21,66	57,75	9,25	126	D6-35-IM-60	22,07	57,18	9,75	170
72	81,00	6,00	83,50	10,00	25,44	D5-35-IM-72	23,95	68,30	9,25	144	D6-35-IM-72	24,36	67,73	9,75	198

## 45° Impacts

Belt Width	A	B	C	D	G	5" Roll Diameter					6" Roll Diameter				
						Part Number	E	H	K	Weight	Part Number	E	H	K	Weight
24	33,00	6,00	35,50	10,00	8,94	D5-45-IM-24	15,25	22,95	8,75	56	D6-45-IM-24	15,60	22,59	9,25	75
30	39,00	6,00	41,50	10,00	11,03	D5-45-IM-30	16,73	28,00	8,75	65	D6-45-IM-30	17,08	27,65	9,25	88
36	45,00	6,00	47,50	10,00	13,13	D5-45-IM-36	18,21	33,05	8,75	80	D6-45-IM-36	18,56	32,71	9,25	108
42	51,00	6,00	53,50	10,00	15,19	D5-45-IM-42	19,67	38,04	8,75	89	D6-45-IM-42	20,02	37,68	9,25	120
48	57,00	6,00	59,50	10,00	17,28	D5-45-IM-48	21,15	43,09	8,75	100	D6-45-IM-48	21,50	42,74	9,25	136
54	63,00	6,00	65,50	10,00	19,34	D5-45-IM-54	23,10	48,07	9,25	122	D6-45-IM-54	23,46	47,71	9,75	161
60	69,00	6,00	71,50	10,00	21,44	D5-45-IM-60	24,59	53,23	9,25	132	D6-45-IM-60	24,94	52,77	9,75	176
72	81,00	6,00	83,50	10,00	25,44	D5-45-IM-72	27,41	62,79	9,25	150	D6-45-IM-72	27,77	62,43	9,75	204

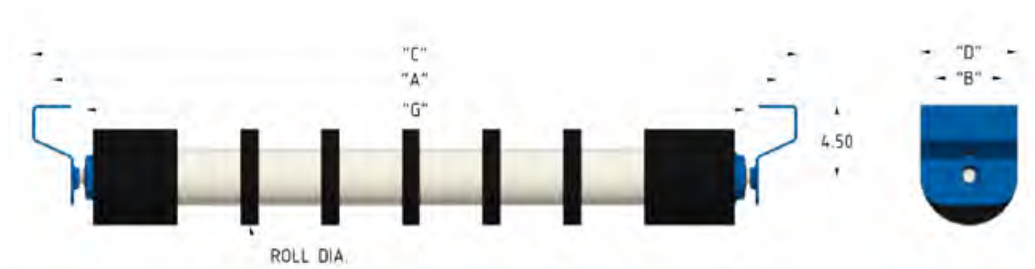


# CEMA D – Flat Returns



## Flat Returns

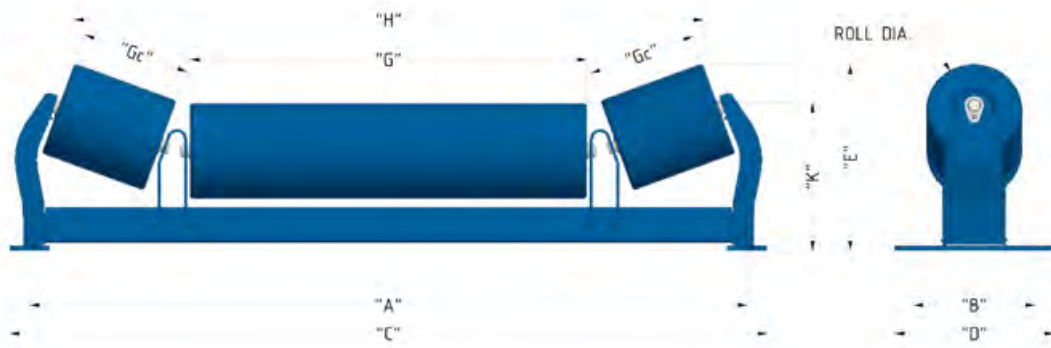
Belt Width	A	B	C	D	G	5" Roll Diameter		6" Roll Diameter	
						Part Number	Weight	Part Number	Weight
24	33,00	4,00	35,88	6,00	29,25	D5-4.50-RET-24	34	D6-4.50-RET-24	45
30	39,00	4,00	41,88	6,00	35,25	D5-4.50-RET-30	39	D6-4.50-RET-30	53
36	45,00	4,00	47,88	6,00	41,25	D5-4.50-RET-36	45	D6-4.50-RET-36	60
42	51,00	4,00	53,88	6,00	47,25	D5-4.50-RET-42	50	D6-4.50-RET-42	68
48	57,00	4,00	59,88	6,00	53,25	D5-4.50-RET-48	55	D6-4.50-RET-48	75
54	63,00	4,00	65,88	6,00	59,25	D5-4.50-RET-54	61	D6-4.50-RET-54	83
60	69,00	4,00	71,88	6,00	65,25	D5-4.50-RET-60	66	D6-4.50-RET-60	90
72	81,00	4,00	83,88	6,00	77,25	D5-4.50-RET-72	77	D6-4.50-RET-72	105



## Rubber Disc Flat Returns

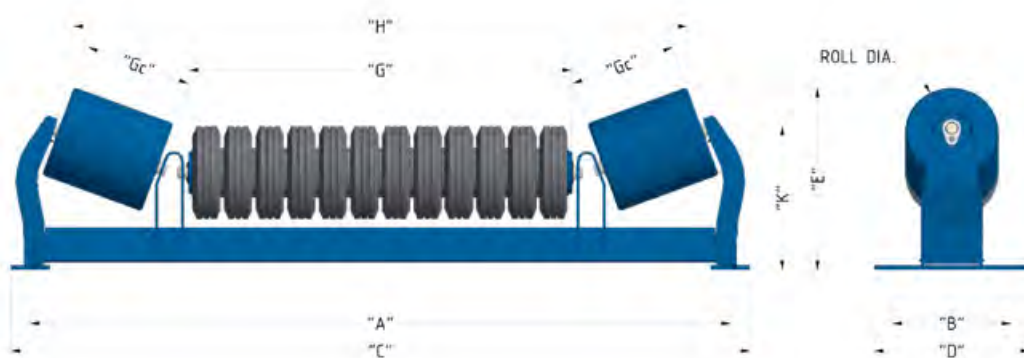
Belt Width	A	B	C	D	G	5" Roll Diameter		6" Roll Diameter	
						Part Number	Weight	Part Number	Weight
24	33,00	4,00	35,88	6,00	29,25	D5-4.50-RDR-24	34	D6-4.50-RDR-24	38
30	39,00	4,00	41,88	6,00	35,25	D5-4.50-RDR-30	38	D6-4.50-RDR-30	40
36	45,00	4,00	47,88	6,00	41,25	D5-4.50-RDR-36	42	D6-4.50-RDR-36	44
42	51,00	4,00	53,88	6,00	47,25	D5-4.50-RDR-42	47	D6-4.50-RDR-42	48
48	57,00	4,00	59,88	6,00	53,25	D5-4.50-RDR-48	51	D6-4.50-RDR-48	53
54	63,00	4,00	65,88	6,00	59,25	D5-4.50-RDR-54	56	D6-4.50-RDR-54	58
60	69,00	4,00	71,88	6,00	65,25	D5-4.50-RDR-60	60	D6-4.50-RDR-60	62
72	81,00	4,00	83,88	6,00	77,25	D5-4.50-RDR-72	70	D6-4.50-RDR-72	72

# CEMA D – Picking Tables



## 20° Picking Tables

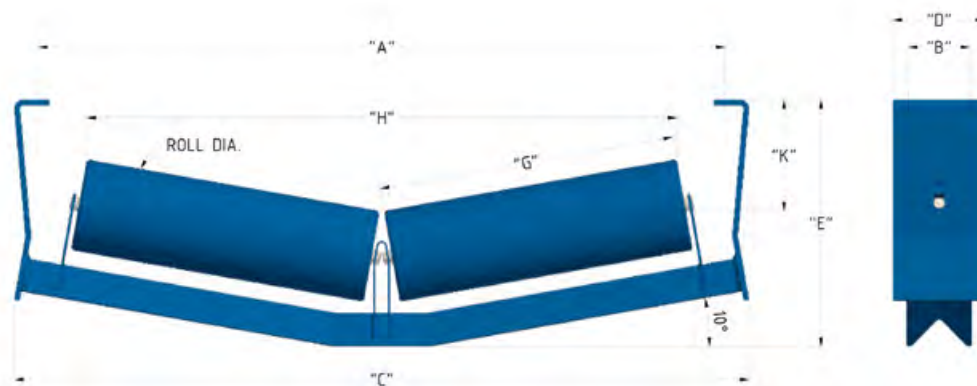
Belt Width	A	B	C	D	G	G <sub>c</sub>	5" Roll Diameter					6" Roll Diameter				
							Part Number	E	H	K	Weight	Part Number	E	H	K	Weight
24	33,00	6,00	35,50	10,00	12,84	6,84	D5-20-PT-24	11,27	27,75	8,75	59	D6-20-PT-24	11,74	27,47	9,25	72
30	39,00	6,00	41,50	10,00	18,84	6,84	D5-20-PT-30	11,27	33,75	8,75	66	D6-20-PT-30	11,74	33,47	9,25	82
36	45,00	6,00	47,50	10,00	24,84	6,84	D5-20-PT-36	11,27	39,75	8,75	77	D6-20-PT-36	11,74	39,47	9,25	96
42	51,00	6,00	53,50	10,00	30,84	6,84	D5-20-PT-42	11,27	45,75	8,75	84	D6-20-PT-42	11,74	45,47	9,25	107
48	57,00	6,00	59,50	10,00	36,84	6,84	D5-20-PT-48	11,27	51,75	8,75	92	D6-20-PT-48	11,74	51,47	9,25	117
54	63,00	6,00	65,50	10,00	42,84	6,84	D5-20-PT-54	11,77	57,75	9,25	107	D6-20-PT-54	12,24	57,47	9,75	136
60	69,00	6,00	71,50	10,00	48,84	6,84	D5-20-PT-60	11,77	63,75	9,25	115	D6-20-PT-60	12,24	63,47	9,75	147
72	81,00	6,00	83,50	10,00	60,84	6,84	D5-20-PT-72	11,77	75,75	9,25	131	D6-20-PT-72	12,24	75,47	9,75	169



## 20° Impact Picking Tables

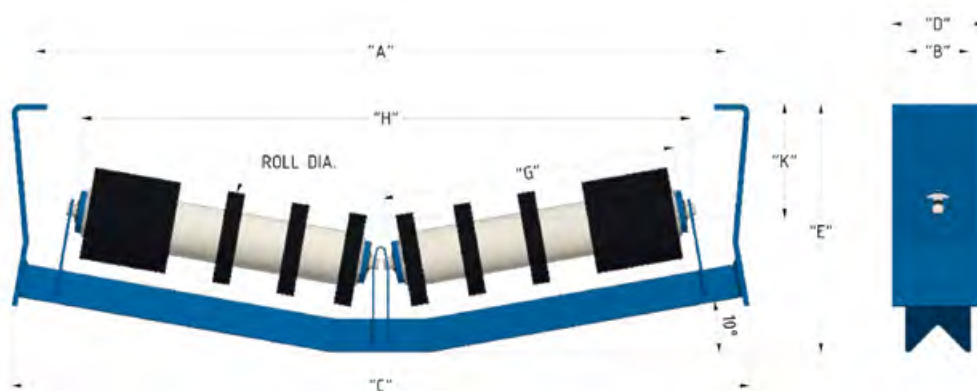
Belt Width	A	B	C	D	G	G <sub>c</sub>	5" Roll Diameter					6" Roll Diameter				
							Part Number	E	H	K	Weight	Part Number	E	H	K	Weight
24	33,00	6,00	35,50	10,00	12,84	6,84	D5-20-IPT-24	11,27	27,75	8,75	64	D6-20-IPT-24	11,74	27,47	9,25	78
30	39,00	6,00	41,50	10,00	18,84	6,84	D5-20-IPT-30	11,27	33,75	8,75	71	D6-20-IPT-30	11,74	33,47	9,25	88
36	45,00	6,00	47,50	10,00	24,84	6,84	D5-20-IPT-36	11,27	39,75	8,75	82	D6-20-IPT-36	11,74	39,47	9,25	102
42	51,00	6,00	53,50	10,00	30,84	6,84	D5-20-IPT-42	11,27	45,75	8,75	89	D6-20-IPT-42	11,74	45,47	9,25	113
48	57,00	6,00	59,50	10,00	36,84	6,84	D5-20-IPT-48	11,27	51,75	8,75	97	D6-20-IPT-48	11,74	51,47	9,25	123
54	63,00	6,00	65,50	10,00	42,84	6,84	D5-20-IPT-54	11,77	57,75	9,25	112	D6-20-IPT-54	12,24	57,47	9,75	142
60	69,00	6,00	71,50	10,00	48,84	6,84	D5-20-IPT-60	11,77	63,75	9,25	120	D6-20-IPT-60	12,24	63,47	9,75	153
72	81,00	6,00	83,50	10,00	60,84	6,84	D5-20-IPT-72	11,77	75,75	9,25	136	D6-20-IPT-72	12,24	75,47	9,75	175

# CEMA D – V>Returns



## 10° V>Returns

Belt Width	A	B	C	D	E	G	5" Roll Diameter				6" Roll Diameter			
							Part Number	H	K	Weight	Part Number	H	K	Weight
24	33,00	4,00	36,00	6,00	14,93	13,12	D5-10-VR-24	26,96	6,75	61	D6-10-VR-24	26,78	6,24	73
30	39,00	4,00	42,00	6,00	15,68	17,28	D5-10-VR-30	35,15	7,50	70	D6-10-VR-30	34,97	6,99	85
36	45,00	4,00	48,00	6,00	16,07	19,34	D5-10-VR-36	39,21	7,88	81	D6-10-VR-36	39,03	7,37	97
42	51,00	4,00	54,00	6,00	16,70	23,25	D5-10-VR-42	46,91	8,50	90	D6-10-VR-42	46,73	7,99	109
48	57,00	4,00	60,00	6,00	17,56	26,25	D5-10-VR-48	52,82	9,00	103	D6-10-VR-48	52,64	8,49	123
54	63,00	4,00	66,00	6,00	18,19	29,25	D5-10-VR-54	58,73	9,62	111	D6-10-VR-54	58,55	9,11	134
60	69,00	4,00	72,00	6,00	19,08	32,25	D5-10-VR-60	64,64	10,12	124	D6-10-VR-60	64,46	9,61	149
72	81,00	4,00	84,00	6,00	20,29	36,25	D5-10-VR-72	72,52	11,25	164	D6-10-VR-72	72,34	10,67	193



## 10° Rubber Disc V>Returns

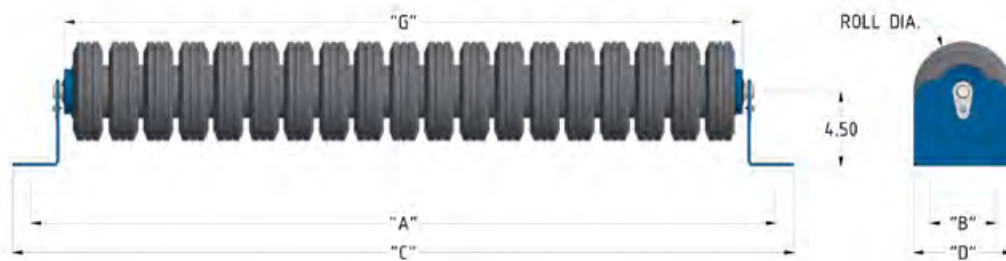
Belt Width	A	B	C	D	E	G	5" Roll Diameter				6" Roll Diameter			
							Part Number	H	K	Weight	Part Number	H	K	Weight
24	33,00	4,00	36,00	6,00	14,93	13,12	D5-10-RDVR-24	26,96	6,75	84	D6-10-RDVR-24	26,78	6,24	85
30	39,00	4,00	42,00	6,00	15,68	17,28	D5-10-RDVR-30	35,15	7,50	91	D6-10-RDVR-30	34,97	6,99	95
36	45,00	4,00	48,00	6,00	16,07	19,34	D5-10-RDVR-36	39,21	7,88	98	D6-10-RDVR-36	39,03	7,37	100
42	51,00	4,00	54,00	6,00	16,70	23,25	D5-10-RDVR-42	46,91	8,50	104	D6-10-RDVR-42	46,73	7,99	107
48	57,00	4,00	60,00	6,00	17,56	26,25	D5-10-RDVR-48	52,82	9,00	112	D6-10-RDVR-48	52,64	8,49	115
54	63,00	4,00	66,00	6,00	18,19	29,25	D5-10-RDVR-54	58,73	9,62	119	D6-10-RDVR-54	58,55	9,11	122
60	69,00	4,00	72,00	6,00	19,08	32,25	D5-10-RDVR-60	64,64	10,12	123	D6-10-RDVR-60	64,46	9,61	125
72	81,00	4,00	84,00	6,00	20,29	38,25	D5-10-RDVR-72	72,52	11,25	138	D6-10-RDVR-72	72,34	10,67	141

# CEMA D – Flat Belts



## Flat Belts

Belt Width	A	B	C	D	G	5" Roll Diameter		6" Roll Diameter	
						Part Number	Weight	Part Number	Weight
24	33,00	4,00	35,25	6,00	29,25	D5-4.50-FB-24	33	D6-4.50-FB-24	44
30	39,00	4,00	41,25	6,00	35,25	D5-4.50-FB-30	38	D6-4.50-FB-30	52
36	45,00	4,00	47,25	6,00	41,25	D5-4.50-FB-36	43	D6-4.50-FB-36	59
42	51,00	4,00	53,25	6,00	47,25	D5-4.50-FB-42	49	D6-4.50-FB-42	67
48	57,00	4,00	59,25	6,00	53,25	D5-4.50-FB-48	54	D6-4.50-FB-48	74
54	63,00	4,00	65,25	6,00	59,25	D5-4.50-FB-54	59	D6-4.50-FB-54	81
60	69,00	4,00	71,25	6,00	65,25	D5-4.50-FB-60	65	D6-4.50-FB-60	89
72	81,00	4,00	83,25	6,00	77,25	D5-4.50-FB-72	75	D6-4.50-FB-72	104

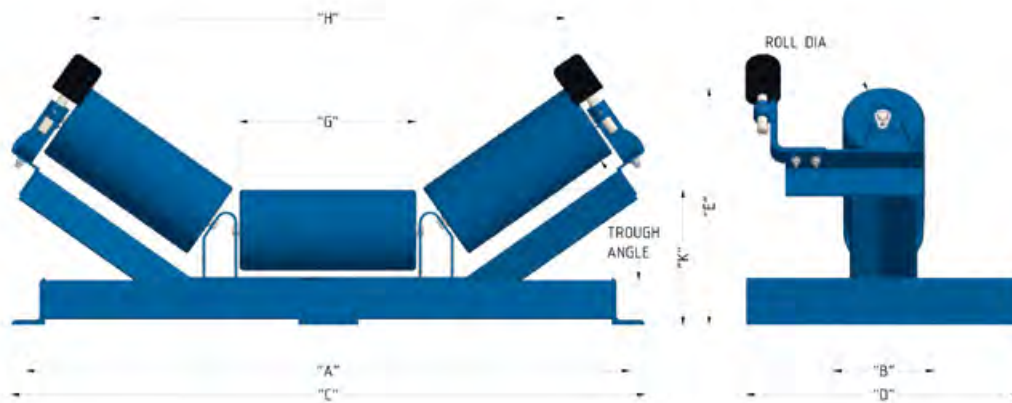


## Impact Flat Belts

Belt Width	A	B	C	D	G	5" Roll Diameter		6" Roll Diameter	
						Part Number	Weight	Part Number	Weight
24	33,00	4,00	35,25	6,00	29,25	D5-4.50-IFB-24	38	D6-4.50-IFB-24	55
30	39,00	4,00	41,25	6,00	35,25	D5-4.50-IFB-30	44	D6-4.50-IFB-30	64
36	45,00	4,00	47,25	6,00	41,25	D5-4.50-IFB-36	50	D6-4.50-IFB-36	76
42	51,00	4,00	53,25	6,00	47,25	D5-4.50-IFB-42	56	D6-4.50-IFB-42	84
48	57,00	4,00	59,25	6,00	53,25	D5-4.50-IFB-48	61	D6-4.50-IFB-48	93
54	63,00	4,00	65,25	6,00	59,25	D5-4.50-IFB-54	68	D6-4.50-IFB-54	105
60	69,00	4,00	71,25	6,00	65,25	D5-4.50-IFB-60	72	D6-4.50-IFB-60	113
72	81,00	4,00	83,25	6,00	77,25	D5-4.50-IFB-72	83	D6-4.50-IFB-72	132



# CEMA D – Self Training Troughers



## 20° Self Training Troughers

Belt Width	A	B	C	D	G	5" Roll Diameter					6" Roll Diameter				
						Part Number	E	H	K	Weight	Part Number	E	H	K	Weight
24	33,00	6,00	35,25	18,00	8,94	D5-20-TST-24	12,72	27,81	9,50	138	D6-20-TST-24	13,21	27,48	10,00	151
30	39,00	6,00	41,25	18,00	11,03	D5-20-TST-30	13,44	33,84	9,50	152	D6-20-TST-30	13,91	33,50	10,00	171
36	45,00	6,00	47,25	18,00	13,13	D5-20-TST-36	14,16	39,88	9,50	170	D6-20-TST-36	14,63	39,56	10,00	191
42	51,00	6,00	53,25	18,00	15,19	D5-20-TST-42	14,87	45,81	9,50	191	D6-20-TST-42	15,34	45,47	10,00	214
48	57,00	6,00	59,25	18,00	17,28	D5-20-TST-48	15,59	51,84	9,50	207	D6-20-TST-48	16,06	51,50	10,00	232
54	63,00	6,00	65,25	18,00	19,34	D5-20-TST-54	16,47	57,78	9,69	220	D6-20-TST-54	16,97	57,44	10,19	248
60	69,00	6,00	71,25	18,00	21,44	D5-20-TST-60	17,19	63,81	9,69	253	D6-20-TST-60	17,66	63,47	10,19	283
72	81,00	6,00	83,25	18,00	25,44	D5-20-TST-72	18,38	75,32	9,69	297	D6-20-TST-72	19,04	74,98	10,19	332

## 35° Self Training Troughers

Belt Width	A	B	C	D	G	5" Roll Diameter					6" Roll Diameter				
						Part Number	E	H	K	Weight	Part Number	E	H	K	Weight
24	33,00	6,00	35,25	18,00	8,94	D5-35-TST-24	14,87	25,16	9,50	140	D6-35-TST-24	15,28	24,59	10,00	153
30	39,00	6,00	41,25	18,00	11,03	D5-35-TST-30	16,06	30,69	9,50	157	D6-35-TST-30	16,47	30,12	10,00	173
36	45,00	6,00	47,25	18,00	13,13	D5-35-TST-36	17,28	36,25	9,50	176	D6-35-TST-36	17,69	35,66	10,00	193
42	51,00	6,00	53,25	18,00	15,19	D5-35-TST-42	18,47	41,69	9,50	197	D6-35-TST-42	18,87	41,11	10,00	217
48	57,00	6,00	59,25	18,00	17,28	D5-35-TST-48	19,66	47,19	9,50	213	D6-35-TST-48	20,06	46,62	10,00	235
54	63,00	6,00	65,25	18,00	19,34	D5-35-TST-54	21,03	52,66	9,69	226	D6-35-TST-54	21,44	52,06	10,19	250
60	69,00	6,00	71,25	18,00	21,44	D5-35-TST-60	22,24	58,16	9,69	259	D6-35-TST-60	22,65	57,59	10,19	285
72	81,00	6,00	83,25	18,00	25,44	D5-35-TST-72	24,53	68,71	9,69	304	D6-35-TST-72	24,94	68,14	10,19	334

## 45° Self Training Troughers

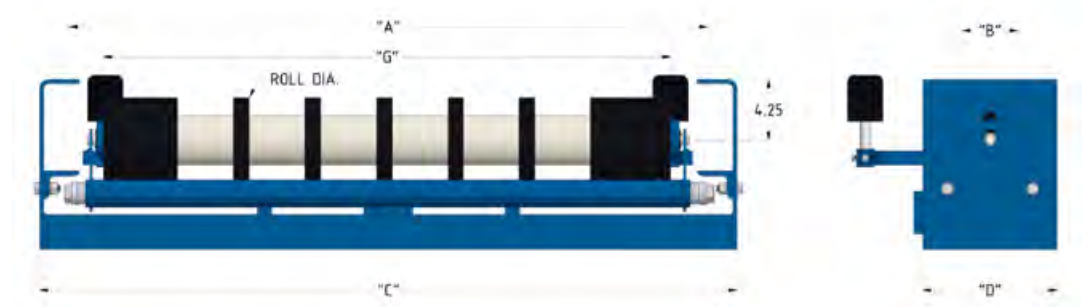
Belt Width	A	B	C	D	G	5" Roll Diameter					6" Roll Diameter				
						Part Number	E	H	K	Weight	Part Number	E	H	K	Weight
24	33,00	6,00	35,25	18,00	8,94	D5-45-TST-24	16,18	23,30	9,50	143	D6-45-TST-24	16,53	22,59	10,00	156
30	39,00	6,00	41,25	18,00	11,03	D5-45-TST-30	17,66	28,35	9,50	161	D6-45-TST-30	18,01	27,65	10,00	176
36	45,00	6,00	47,25	18,00	13,13	D5-45-TST-36	19,14	33,40	9,50	179	D6-45-TST-36	19,49	32,71	10,00	197
42	51,00	6,00	53,25	18,00	15,19	D5-45-TST-42	20,60	38,39	9,50	201	D6-45-TST-42	20,95	37,68	10,00	221
48	57,00	6,00	59,25	18,00	17,28	D5-45-TST-48	22,08	43,44	9,50	217	D6-45-TST-48	22,43	42,74	10,00	239
54	63,00	6,00	65,25	18,00	19,34	D5-45-TST-54	23,72	48,42	9,69	229	D6-45-TST-54	24,08	47,71	10,19	253
60	69,00	6,00	71,25	18,00	21,44	D5-45-TST-60	25,21	53,58	9,69	263	D6-45-TST-60	25,56	52,77	10,19	289
72	81,00	6,00	83,25	18,00	25,44	D5-45-TST-72	28,03	63,14	9,69	308	D6-45-TST-72	28,39	62,43	10,19	339

# CEMA D – Self Training Returns



## Self Training Returns

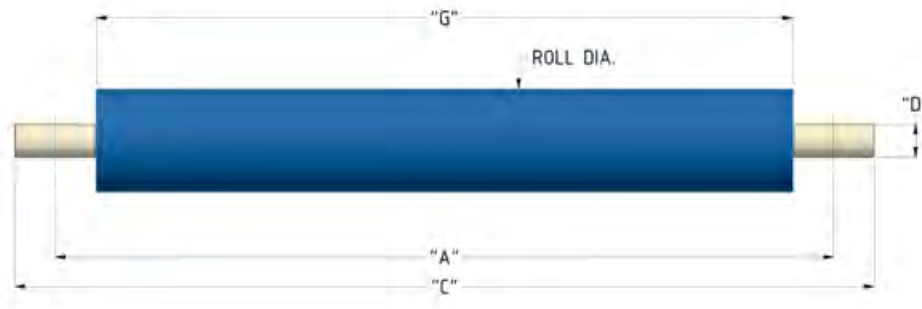
Belt Width	A	B	C	D	E	G	5" Roll Diameter		6" Roll Diameter	
							Part Number	Weight	Part Number	Weight
24	33,00	4,00	37,10	9,50	4,25	29,25	D5-4.50-RST-24	118	D6-4.50-RST-24	129
30	39,00	4,00	43,10	9,50	4,25	35,25	D5-4.50-RST-30	131	D6-4.50-RST-30	145
36	45,00	4,00	49,10	9,50	4,25	41,25	D5-4.50-RST-36	153	D6-4.50-RST-36	168
42	51,00	4,00	55,10	9,50	4,25	47,25	D5-4.50-RST-42	166	D6-4.50-RST-42	184
48	57,00	4,00	61,10	9,50	4,25	53,25	D5-4.50-RST-48	179	D6-4.50-RST-48	199
54	63,00	4,00	67,10	9,50	4,25	59,25	D5-4.50-RST-54	192	D6-4.50-RST-54	214
60	69,00	4,00	73,10	9,50	4,25	65,25	D5-4.50-RST-60	205	D6-4.50-RST-60	229
72	81,00	4,00	85,10	9,50	4,25	77,25	D5-4.50-RST-72	273	D6-4.50-RST-72	301



## Rubber Disc Self Training Returns

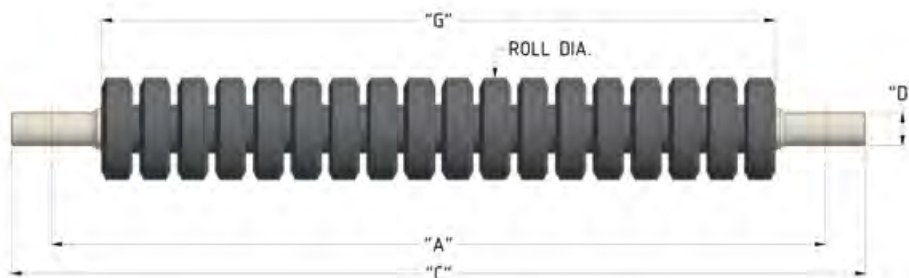
Belt Width	A	B	C	D	E	G	5" Roll Diameter		6" Roll Diameter	
							Part Number	Weight	Part Number	Weight
24	33,00	4,00	37,10	9,50	4,25	29,25	D5-4.50-RDRST-24	118	D6-4.50-RDRST-24	120
30	39,00	4,00	43,10	9,50	4,25	35,25	D5-4.50-RDRST-30	131	D6-4.50-RDRST-30	133
36	45,00	4,00	49,10	9,50	4,25	41,25	D5-4.50-RDRST-36	150	D6-4.50-RDRST-36	152
42	51,00	4,00	55,10	9,50	4,25	47,25	D5-4.50-RDRST-42	162	D6-4.50-RDRST-42	164
48	57,00	4,00	61,10	9,50	4,25	53,25	D5-4.50-RDRST-48	175	D6-4.50-RDRST-48	177
54	63,00	4,00	67,10	9,50	4,25	59,25	D5-4.50-RDRST-54	187	D6-4.50-RDRST-54	189
60	69,00	4,00	73,10	9,50	4,25	65,25	D5-4.50-RDRST-60	199	D6-4.50-RDRST-60	201
72	81,00	4,00	85,10	9,50	4,25	77,25	D5-4.50-RDRST-72	266	D6-4.50-RDRST-72	268

# CEMA D – Live Shafts



## Live Shafts

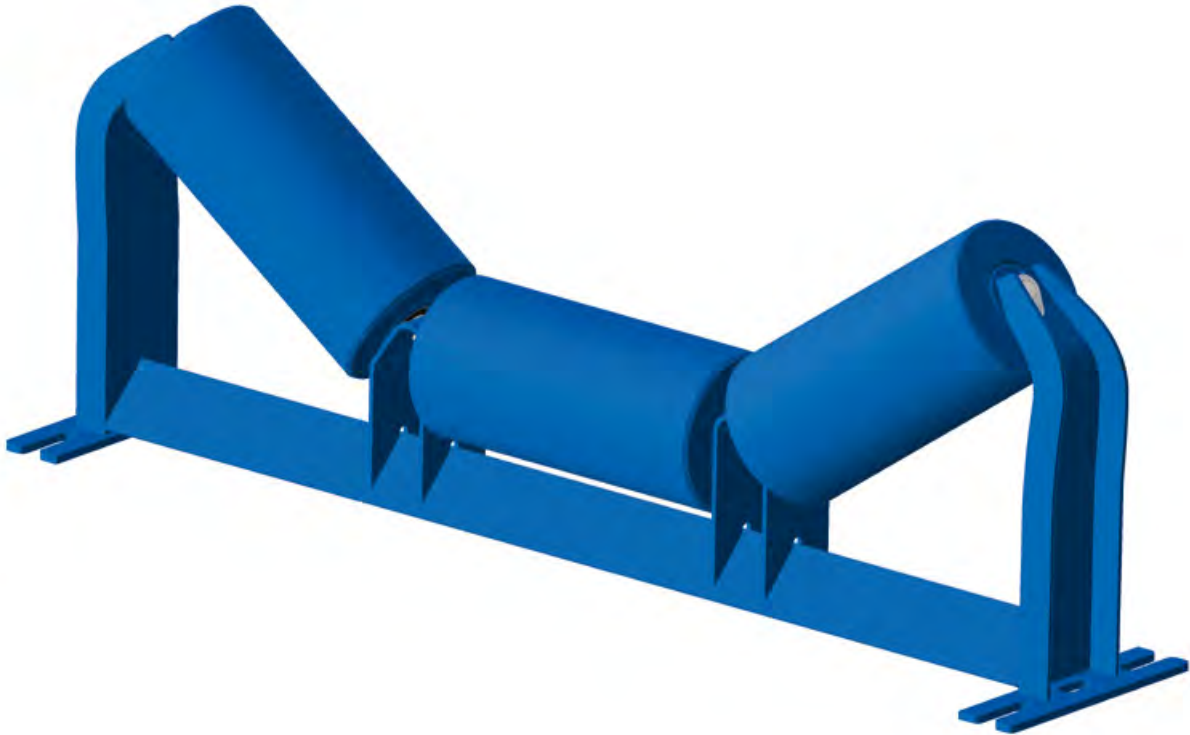
Belt Width	A	C	D	G	5" Roll Diameter		6" Roll Diameter	
					Part Number	Weight	Part Number	Weight
24	33,00	38,00	1,94	28,50	D5-LS-24	54	D6-LS-24	61
30	39,00	44,00	1,94	34,50	D5-LS-30	65	D6-LS-30	73
36	45,00	50,00	1,94	40,50	D5-LS-36	75	D6-LS-36	85
42	51,00	56,00	1,94	46,50	D5-LS-42	86	D6-LS-42	98
48	57,00	62,00	1,94	52,50	D5-LS-48	96	D6-LS-48	109
54	63,00	68,00	1,94	58,50	D5-LS-54	107	D6-LS-54	121
60	69,00	74,00	1,94	64,50	D5-LS-60	117	D6-LS-60	134
72	81,00	86,00	1,94	75,50	D5-LS-72	139	D6-LS-72	157



## Impact Live Shafts

Belt Width	A	C	D	G	5" Roll Diameter		6" Roll Diameter	
					Part Number	Weight	Part Number	Weight
24	33,00	38,00	1,94	28,50	D5-ILS-24	57	D6-ILS-24	64
30	39,00	44,00	1,94	34,50	D5-ILS-30	68	D6-ILS-30	76
36	45,00	50,00	1,94	40,50	D5-ILS-36	78	D6-ILS-36	88
42	51,00	56,00	1,94	46,50	D5-ILS-42	89	D6-ILS-42	101
48	57,00	62,00	1,94	52,50	D5-ILS-48	99	D6-ILS-48	112
54	63,00	68,00	1,94	58,50	D5-ILS-54	110	D6-ILS-54	124
60	69,00	74,00	1,94	64,50	D5-ILS-60	120	D6-ILS-60	137
72	81,00	86,00	1,94	75,50	D5-ILS-72	142	D6-ILS-72	160

# CEMA E – Idler features



## CEMA E – Idler features

- Metso Idlers are designed to fit dimensional constraints and comply with load ratings specified for CEMA E idlers in accordance with CEMA Standard #502.
- Reliable roll construction and quality materials grant confidence and peace of mind for dependable production output.
- Roll features include: maintenance free sealed for life ball bearings, quality steel tube shells, and application proved seal designs.
- World class quality designs with global support.

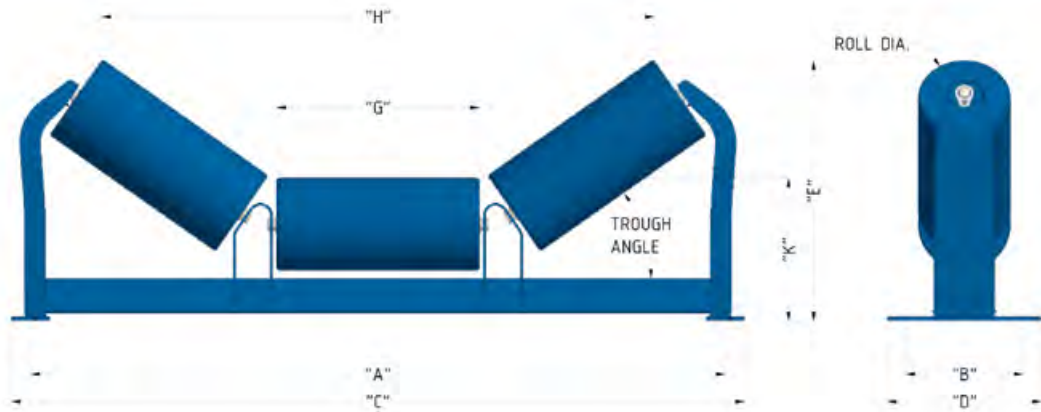
Load Ratings for CEMA E Idlers (lbs)							
Belt Width	Trough Angle			Flat Return	V-Return	Picking Table	Live Shaft
	20°	35°	45°				
36	1 800	1 800	1 800	1 000	1 300	1 260	2 100
42	1 800	1 800	1 800	1 000	1 300	1 200	2 100
48	1 800	1 800	1 800	1 000	1 300	1 000	2 100
54	1 800	1 800	1 800	925	1 300	1 000	2 100
60	1 800	1 800	1 800	850	1 300	1 000	2 100
72	1 800	1 800	1 800	700	1 300	925	2 100
84	1 800	1 674	1 620	550	1 300	775	1 825
96	1 750	1 628	1 575	400	1 300	625	-

\*Idler load ratings chart provided by Conveyor Equipment Manufacturers Association ANSI/CEMA Std. #502

**Note:** Dimensions for REFERENCE ONLY and are subject to change without notice. Contact us for certified dimension prints.



# CEMA E – Troughers



## 20° Troughers

Belt Width	A	B	C	D	G	6" Roll Diameter					7" Roll Diameter				
						Part Number	E	H	K	Weight	Part Number	E	H	K	Weight
36	45,00	8,50	47,50	11,50	13,19	E6-20-TR-36	15,50	40,67	10,75	123	E7-20-TR-36	15,97	40,33	11,25	151
42	51,00	8,50	53,50	11,50	15,25	E6-20-TR-42	16,20	46,62	10,75	136	E7-20-TR-42	16,67	46,27	11,25	168
48	57,00	8,50	59,50	11,50	17,38	E6-20-TR-48	16,94	52,84	10,75	149	E7-20-TR-48	17,41	52,50	11,25	185
54	63,00	8,50	65,50	11,50	19,44	E6-20-TR-54	17,88	58,65	11,00	175	E7-20-TR-54	18,35	58,32	11,50	215
60	69,00	8,50	71,50	11,50	21,50	E6-20-TR-60	18,59	64,58	11,00	189	E7-20-TR-60	19,06	64,24	11,50	233
72	81,00	8,50	83,50	11,50	25,69	E6-20-TR-72	20,52	76,67	11,50	220	E7-20-TR-72	20,99	76,33	12,00	272
84	93,00	11,00	95,50	14,00	29,88	E6-20-TR-84	21,95	88,72	11,50	250	E7-20-TR-84	22,42	88,38	12,00	310
96	105,00	11,00	107,50	14,00	34,00	E6-20-TR-96	23,36	100,58	11,50	278	E7-20-TR-96	23,83	100,24	12,00	346

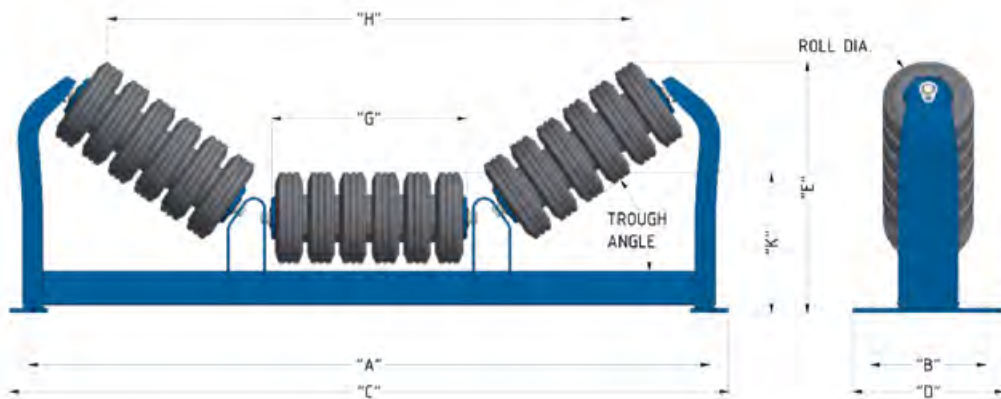
## 35° Troughers

Belt Width	A	B	C	D	G	6" Roll Diameter					7" Roll Diameter				
						Part Number	E	H	K	Weight	Part Number	E	H	K	Weight
36	45,00	8,50	47,50	11,50	13,19	E6-35-TR-36	18,54	36,25	10,75	129	E7-35-TR-36	18,95	35,70	11,25	157
42	51,00	8,50	53,50	11,50	15,25	E6-35-TR-42	19,72	41,69	10,75	142	E7-35-TR-42	20,13	41,14	11,25	174
48	57,00	8,50	59,50	11,50	17,38	E6-35-TR-48	20,95	47,40	10,75	156	E7-35-TR-48	21,36	46,86	11,25	192
54	63,00	8,50	65,50	11,50	19,44	E6-35-TR-54	22,38	52,72	11,00	182	E7-35-TR-54	22,77	52,15	11,50	223
60	69,00	8,50	71,50	11,50	21,50	E6-35-TR-60	23,56	58,16	11,00	197	E7-35-TR-60	23,95	57,59	11,50	241
72	81,00	8,50	83,50	11,50	25,69	E6-35-TR-72	26,46	69,23	11,50	228	E7-35-TR-72	26,87	68,69	12,00	280
84	93,00	11,00	95,50	14,00	29,88	E6-35-TR-84	28,87	80,26	11,50	259	E7-35-TR-84	29,26	79,70	12,00	319
96	105,00	11,00	107,50	14,00	34,00	E6-35-TR-96	31,23	91,14	11,50	288	E7-35-TR-96	31,62	90,57	12,00	356

## 45° Troughers

Belt Width	A	B	C	D	G	6" Roll Diameter					7" Roll Diameter				
						Part Number	E	H	K	Weight	Part Number	E	H	K	Weight
36	45,00	8,50	47,50	11,50	13,19	E6-45-TR-36	20,43	33,57	10,75	135	E7-45-TR-36	20,78	32,86	11,25	163
42	51,00	8,50	53,50	11,50	15,25	E6-45-TR-42	21,89	38,63	10,75	148	E7-45-TR-42	22,24	37,92	11,25	180
48	57,00	8,50	59,50	11,50	17,38	E6-45-TR-48	23,41	43,74	10,75	162	E7-45-TR-48	23,76	43,03	11,25	198
54	63,00	8,50	65,50	11,50	19,44	E6-45-TR-54	25,07	48,65	11,00	188	E7-45-TR-54	25,42	47,94	11,50	229
60	69,00	8,50	71,50	11,50	21,50	E6-45-TR-60	26,53	53,62	11,00	203	E7-45-TR-60	26,88	52,91	11,50	247
72	81,00	8,50	83,50	11,50	25,69	E6-45-TR-72	30,00	63,75	11,50	234	E7-45-TR-72	30,35	63,04	12,00	286
84	93,00	11,00	95,50	14,00	29,88	E6-45-TR-84	33,00	73,85	11,50	265	E7-45-TR-84	33,35	73,14	12,00	325
96	105,00	11,00	107,50	14,00	34,00	E6-45-TR-96	35,91	83,80	11,50	294	E7-45-TR-96	36,26	83,09	12,00	362

# CEMA E – Impacts



## 20° Impacts

Belt Width	A	B	C	D	G	6" Roll Diameter					7" Roll Diameter				
						Part Number	E	H	K	Weight	Part Number	E	H	K	Weight
36	45,00	8,50	47,50	11,50	12,42	E6-20-IM-36	15,41	40,20	10,75	141	E7-20-IM-36	15,88	39,86	11,25	148
42	51,00	8,50	53,50	11,50	14,48	E6-20-IM-42	16,11	46,15	10,75	159	E7-20-IM-42	16,58	45,80	11,25	166
48	57,00	8,50	59,50	11,50	16,61	E6-20-IM-48	16,85	52,37	10,75	178	E7-20-IM-48	17,32	52,03	11,25	185
54	63,00	8,50	65,50	11,50	18,67	E6-20-IM-54	17,79	56,27	11,00	209	E7-20-IM-54	18,26	57,85	11,50	216
60	69,00	8,50	71,50	11,50	20,73	E6-20-IM-60	18,50	64,11	11,00	229	E7-20-IM-60	18,97	63,77	11,50	236
72	81,00	8,50	83,50	11,50	24,92	E6-20-IM-72	20,43	76,20	11,50	271	E7-20-IM-72	20,90	75,86	12,00	278
84	93,00	11,00	95,50	14,00	29,11	E6-20-IM-84	21,86	88,25	11,50	313	E7-20-IM-84	22,33	87,91	12,00	320
96	105,00	11,00	107,50	14,00	33,23	E6-20-IM-96	23,27	100,11	11,50	346	E7-20-IM-96	23,74	99,77	12,00	353

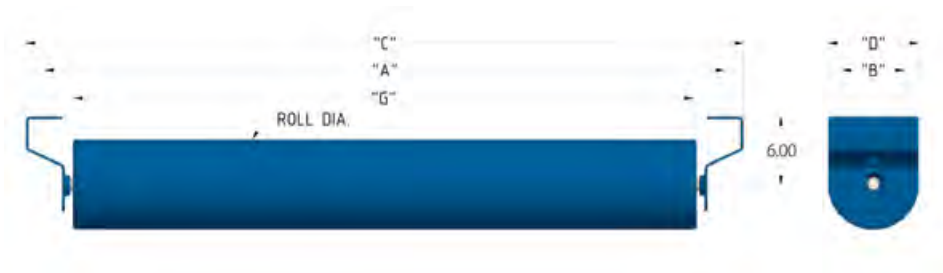
## 35° Impacts

Belt Width	A	B	C	D	G	6" Roll Diameter					7" Roll Diameter				
						Part Number	E	H	K	Weight	Part Number	E	H	K	Weight
36	45,00	8,50	47,50	11,50	12,42	E6-35-IM-36	18,40	35,84	10,75	147	E7-35-IM-36	18,81	35,70	11,25	154
42	51,00	8,50	53,50	11,50	14,48	E6-35-IM-42	19,58	41,28	10,75	166	E7-35-IM-42	19,99	41,14	11,25	173
48	57,00	8,50	59,50	11,50	16,61	E6-35-IM-48	20,81	46,99	10,75	185	E7-35-IM-48	21,22	46,86	11,25	192
54	63,00	8,50	65,50	11,50	18,67	E6-35-IM-54	22,24	52,31	11,00	217	E7-35-IM-54	22,63	52,15	11,50	224
60	69,00	8,50	71,50	11,50	20,73	E6-35-IM-60	23,42	57,75	11,00	236	E7-35-IM-60	23,81	57,59	11,50	243
72	81,00	8,50	83,50	11,50	24,92	E6-35-IM-72	26,32	68,82	11,50	280	E7-35-IM-72	26,73	68,69	12,00	287
84	93,00	11,00	95,50	14,00	29,11	E6-35-IM-84	28,73	79,85	11,50	322	E7-35-IM-84	29,12	79,70	12,00	329
96	105,00	11,00	107,50	14,00	33,23	E6-35-IM-96	31,09	90,73	11,50	356	E7-35-IM-96	31,46	90,57	12,00	363

## 45° Impacts

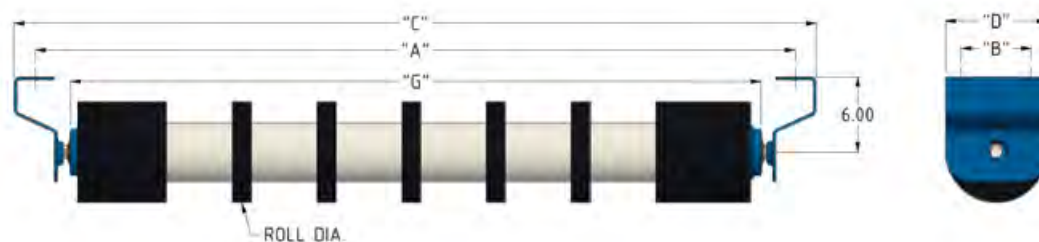
Belt Width	A	B	C	D	G	6" Roll Diameter					7" Roll Diameter				
						Part Number	E	H	K	Weight	Part Number	E	H	K	Weight
36	45,00	8,50	47,50	11,50	12,42	E6-45-IM-36	20,26	33,22	10,75	147	E7-45-IM-36	20,61	32,51	11,25	154
42	51,00	8,50	53,50	11,50	14,48	E6-45-IM-42	21,72	38,28	10,75	165	E7-45-IM-42	22,07	37,57	11,25	172
48	57,00	8,50	59,50	11,50	16,61	E6-45-IM-48	23,24	43,39	10,75	184	E7-45-IM-48	23,59	42,68	11,25	191
54	63,00	8,50	65,50	11,50	18,67	E6-45-IM-54	24,90	48,30	11,00	215	E7-45-IM-54	25,25	47,59	11,50	222
60	69,00	8,50	71,50	11,50	20,73	E6-45-IM-60	26,36	53,27	11,00	235	E7-45-IM-60	26,71	52,56	11,50	242
72	81,00	8,50	83,50	11,50	24,92	E6-45-IM-72	29,83	63,40	11,50	277	E7-45-IM-72	30,18	62,69	12,00	284
84	93,00	11,00	95,50	14,00	29,11	E6-45-IM-84	32,83	73,50	11,50	319	E7-45-IM-84	33,18	72,79	12,00	326
96	105,00	11,00	107,50	14,00	33,23	E6-45-IM-96	35,74	83,45	11,50	352	E7-45-IM-96	36,09	82,74	12,00	359

# CEMA E – Flat Returns



## Flat Returns

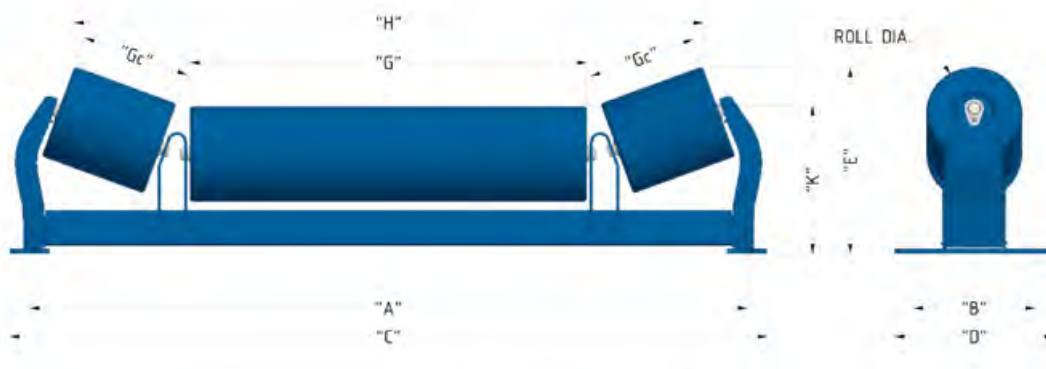
Belt Width	A	B	C	D	G	6" Roll Diameter		7" Roll Diameter	
						Part Number	Weight	Part Number	Weight
36	45,00	9,00	48,00	12,50	42,00	E6-6.00-RET-36	101	E7-6.00-RET-36	110
42	51,00	9,00	54,00	12,50	48,00	E6-6.00-RET-42	113	E7-6.00-RET-42	124
48	57,00	9,00	60,00	12,50	54,00	E6-6.00-RET-48	124	E7-6.00-RET-48	137
54	63,00	9,00	66,00	12,50	60,00	E6-6.00-RET-54	136	E7-6.00-RET-54	150
60	69,00	9,00	72,00	12,50	66,00	E6-6.00-RET-60	148	E7-6.00-RET-60	163
72	81,00	9,00	84,00	12,50	78,00	E6-6.00-RET-72	172	E7-6.00-RET-72	189
84	93,00	9,00	96,00	12,50	90,00	E6-6.00-RET-84	195	E7-6.00-RET-84	215
96	105,00	9,00	108,00	12,50	102,00	E6-6.00-RET-96	219	E7-6.00-RET-96	242



## Rubber Disc Flat Returns

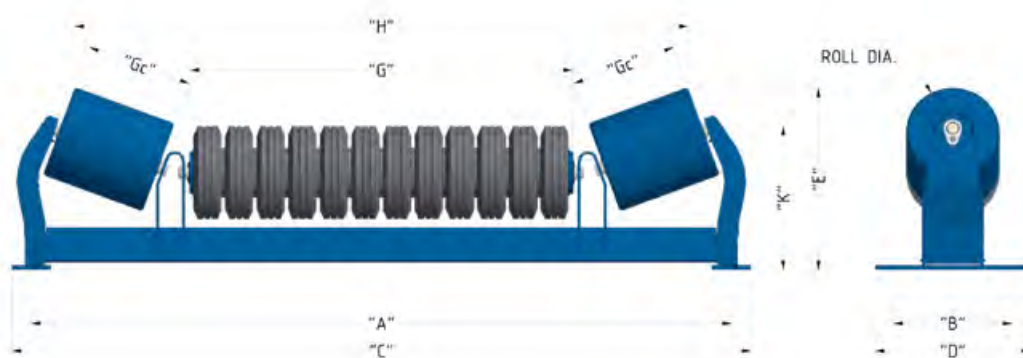
Belt Width	A	B	C	D	G	6" Roll Diameter		7" Roll Diameter	
						Part Number	Weight	Part Number	Weight
36	45,00	9,00	48,00	12,50	42,00	E6-6.00-RDR-36	101	E7-6.00-RDR-36	112
42	51,00	9,00	54,00	12,50	48,00	E6-6.00-RDR-42	114	E7-6.00-RDR-42	125
48	57,00	9,00	60,00	12,50	54,00	E6-6.00-RDR-48	126	E7-6.00-RDR-48	138
54	63,00	9,00	66,00	12,50	60,00	E6-6.00-RDR-54	138	E7-6.00-RDR-54	151
60	69,00	9,00	72,00	12,50	66,00	E6-6.00-RDR-60	150	E7-6.00-RDR-60	163
72	81,00	9,00	84,00	12,50	78,00	E6-6.00-RDR-72	174	E7-6.00-RDR-72	188
84	93,00	9,00	96,00	12,50	90,00	E6-6.00-RDR-84	197	E7-6.00-RDR-84	214
96	105,00	9,00	108,00	12,50	102,00	E6-6.00-RDR-96	222	E7-6.00-RDR-96	240

# CEMA E – Picking Tables



## 20° Picking Tables

Belt Width	A	B	C	D	G	G <sub>c</sub>	6" Roll Diameter				7" Roll Diameter					
							Part Number	E	H	K	Weight	Part Number	E	H	K	Weight
36	45,00	8,50	47,50	11,50	24,00	7,44	E6-20-PT-36	13,53	40,67	10,75	142	E7-20-PT-36	14,00	40,32	11,25	152
42	51,00	8,50	53,50	11,50	30,00	7,44	E6-20-PT-42	13,53	46,62	10,75	158	E7-20-PT-42	14,00	46,32	11,25	168
48	57,00	8,50	59,50	11,50	36,00	7,44	E6-20-PT-48	13,53	52,84	10,75	174	E7-20-PT-48	14,00	52,32	11,25	184
54	63,00	8,50	65,50	11,50	42,00	7,44	E6-20-PT-54	13,78	58,65	11,00	203	E7-20-PT-54	14,25	58,32	11,50	213
60	69,00	8,50	71,50	11,50	48,00	7,44	E6-20-PT-60	13,78	64,58	11,00	220	E7-20-PT-60	14,25	64,32	11,50	230
72	81,00	8,50	83,50	11,50	60,00	7,44	E6-20-PT-72	14,28	76,67	11,50	255	E7-20-PT-72	14,75	76,32	12,00	265
84	93,00	8,50	95,50	11,50	72,00	7,44	E6-20-PT-84	14,28	88,72	11,50	292	E7-20-PT-84	14,75	88,32	12,00	302
96	105,00	8,50	107,50	11,50	84,00	7,44	E6-20-PT-96	14,28	100,58	11,50	326	E7-20-PT-96	14,75	100,32	12,00	336

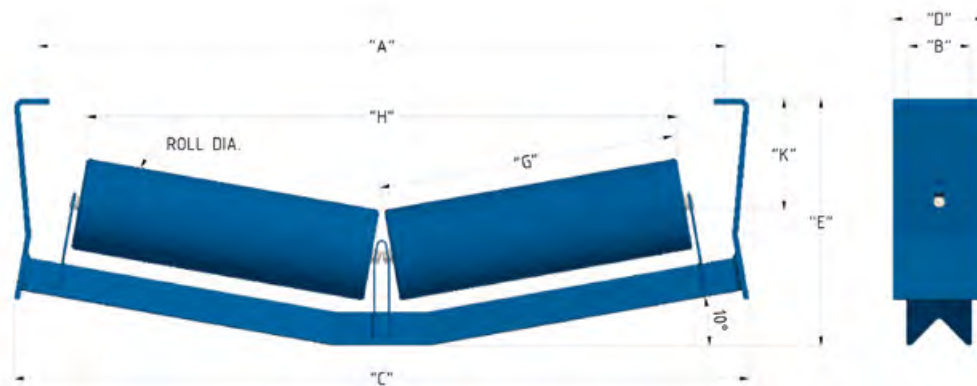


## 20° Impact Picking Tables

Belt Width	A	B	C	D	G	G <sub>c</sub>	6" Roll Diameter				7" Roll Diameter					
							Part Number	E	H	K	Weight	Part Number	E	H	K	Weight
36	45,00	8,50	47,50	11,50	24,00	7,44	E6-20-IPT-36	13,53	40,67	10,75	165	E7-20-IPT-36	14,00	40,32	11,25	175
42	51,00	8,50	53,50	11,50	30,00	7,44	E6-20-IPT-42	13,53	46,67	10,75	186	E7-20-IPT-42	14,00	46,32	11,25	196
48	57,00	8,50	59,50	11,50	36,00	7,44	E6-20-IPT-48	13,53	52,67	10,75	204	E7-20-IPT-48	14,00	52,32	11,25	214
54	63,00	8,50	65,50	11,50	42,00	7,44	E6-20-IPT-54	13,78	58,67	11,00	239	E7-20-IPT-54	14,25	58,32	11,50	249
60	69,00	8,50	71,50	11,50	48,00	7,44	E6-20-IPT-60	13,78	64,67	11,00	258	E7-20-IPT-60	14,25	64,32	11,50	268
72	81,00	8,50	83,50	11,50	60,00	7,44	E6-20-IPT-72	14,28	72,67	11,50	306	E7-20-IPT-72	14,75	76,32	12,00	316
84	93,00	8,50	95,50	11,50	72,00	7,44	E6-20-IPT-84	14,28	88,67	11,50	351	E7-20-IPT-84	14,75	88,32	12,00	361
96	105,00	8,50	107,50	11,50	84,00	7,44	E6-20-IPT-96	14,28	100,67	11,50	393	E7-20-IPT-96	14,75	100,32	12,00	403

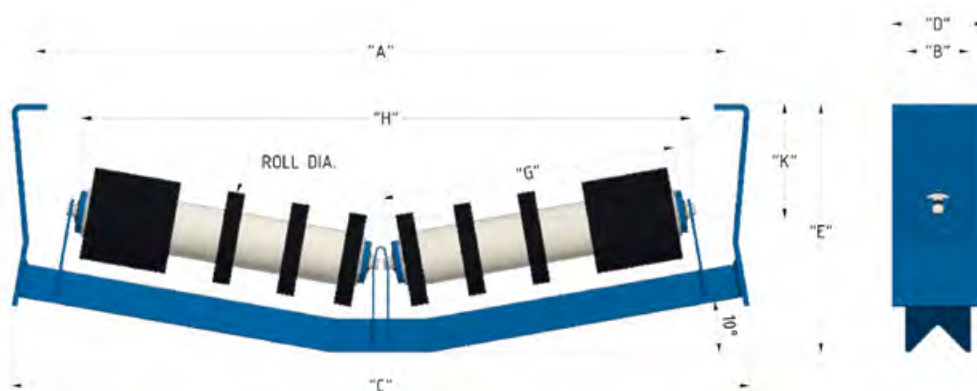


# CEMA E – V>Returns



## 10° V>Returns

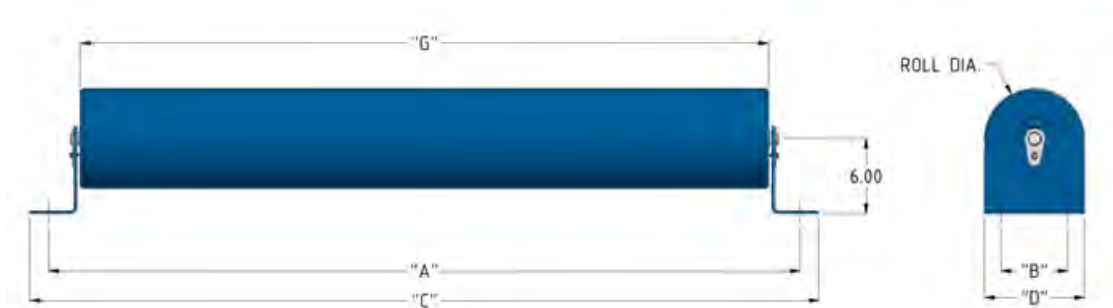
Belt Width	A	B	C	D	E	G	6" Roll Diameter				7" Roll Diameter			
							Part Number	H	K	Weight	Part Number	H	K	Weight
36	45,00	9,50	49,00	12,50	18,36	19,52	E6-10-VR-36	39,93	7,60	142	E7-10-VR-36	39,61	7,09	167
42	51,00	9,50	55,00	12,50	18,90	22,52	E6-10-VR-42	45,84	8,12	154	E7-10-VR-42	45,52	7,61	184
48	57,00	9,50	61,00	12,50	19,29	25,52	E6-10-VR-48	51,75	8,50	166	E7-10-VR-48	51,43	7,99	200
54	63,00	9,50	67,00	12,50	19,94	28,52	E6-10-VR-54	57,65	9,16	177	E7-10-VR-54	57,33	8,65	216
60	69,00	9,50	73,00	12,50	20,46	31,52	E6-10-VR-60	63,56	9,69	189	E7-10-VR-60	63,24	9,18	231
72	81,00	9,50	85,00	12,50	21,86	37,52	E6-10-VR-72	75,38	10,63	247	E7-10-VR-72	75,06	10,12	297
84	93,00	9,50	97,00	12,50	22,96	43,52	E6-10-VR-84	87,20	11,77	275	E7-10-VR-84	86,88	11,26	333
96	105,00	9,50	109,00	12,50	24,01	49,52	E6-10-VR-96	99,01	12,81	304	E7-10-VR-96	98,69	12,30	370



## 10° Rubber Disc V>Returns

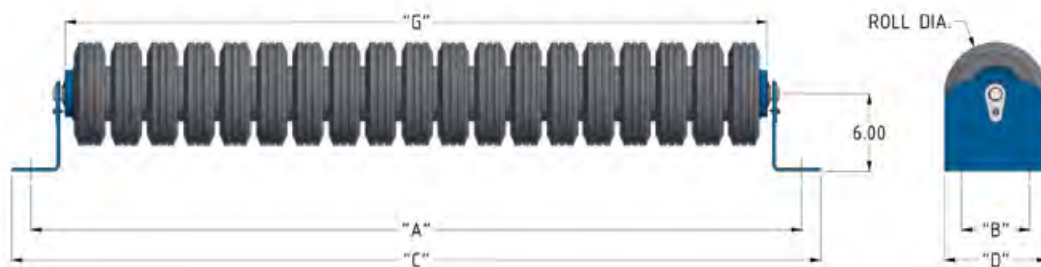
Belt Width	A	B	C	D	E	G	6" Roll Diameter				7" Roll Diameter			
							Part Number	H	K	Weight	Part Number	H	K	Weight
36	45,00	9,50	49,00	12,50	18,36	19,52	E6-10-RDVR-36	39,93	7,60	138	E7-10-RDVR-36	39,61	7,09	163
42	51,00	9,50	55,00	12,50	18,90	22,52	E6-10-RDVR-42	45,84	8,12	149	E7-10-RDVR-42	45,52	7,61	179
48	57,00	9,50	61,00	12,50	19,29	25,52	E6-10-RDVR-48	51,75	8,50	161	E7-10-RDVR-48	51,43	7,99	195
54	63,00	9,50	67,00	12,50	19,94	28,52	E6-10-RDVR-54	57,65	9,16	171	E7-10-RDVR-54	57,33	8,65	210
60	69,00	9,50	73,00	12,50	20,46	31,52	E6-10-RDVR-60	63,56	9,69	182	E7-10-RDVR-60	63,24	9,18	224
72	81,00	9,50	85,00	12,50	21,86	37,52	E6-10-RDVR-72	75,38	10,63	239	E7-10-RDVR-72	75,06	10,12	289
84	93,00	9,50	97,00	12,50	22,96	43,52	E6-10-RDVR-84	87,20	11,77	265	E7-10-RDVR-84	86,88	11,26	323
96	105,00	9,50	109,00	12,50	24,01	49,52	E6-10-RDVR-96	99,01	12,81	293	E7-10-RDVR-96	98,69	12,30	359

# CEMA E – Flat Belts



## Flat Belts

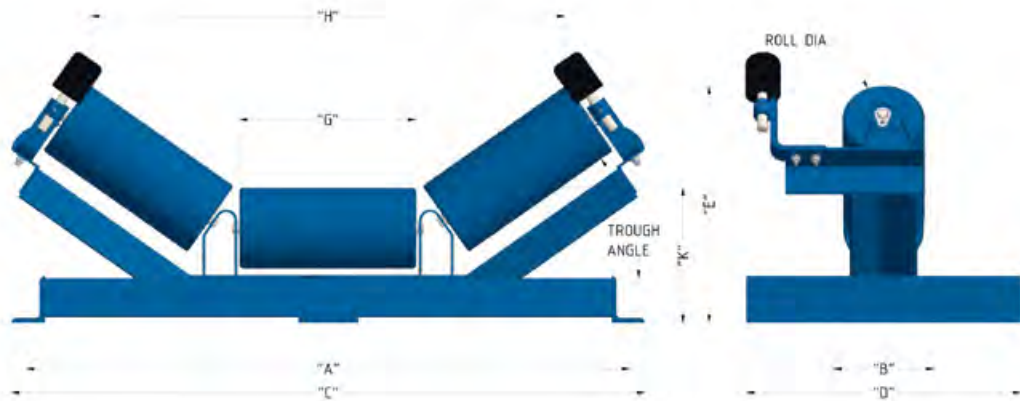
Belt Width	A	B	C	D	G	6" Roll Diameter		7" Roll Diameter	
						Part Number	Weight	Part Number	Weight
36	45,00	4,00	47,50	6,00	42,00	E6-6.00-FB-36	100	E7-6.00-FB-36	109
42	51,00	4,00	53,50	6,00	48,00	E6-6.00-FB-42	112	E7-6.00-FB-42	122
48	57,00	4,00	59,50	6,00	54,00	E6-6.00-FB-48	123	E7-6.00-FB-48	135
54	63,00	4,00	65,50	6,00	60,00	E6-6.00-FB-54	135	E7-6.00-FB-54	149
60	69,00	4,00	71,50	6,00	66,00	E6-6.00-FB-60	147	E7-6.00-FB-60	162
72	81,00	4,00	83,50	6,00	78,00	E6-6.00-FB-72	171	E7-6.00-FB-72	188
84	93,00	4,00	95,50	6,00	90,00	E6-6.00-FB-84	194	E7-6.00-FB-84	214
96	105,00	4,00	107,50	6,00	102,00	E6-6.00-FB-96	218	E7-6.00-FB-96	240



## Impact Flat Belts

Belt Width	A	B	C	D	G	6" Roll Diameter		7" Roll Diameter	
						Part Number	Weight	Part Number	Weight
36	45,00	4,00	47,50	6,00	42,00	E6-6.00-IFB-36	121	E7-6.00-IFB-36	130
42	51,00	4,00	53,50	6,00	48,00	E6-6.00-IFB-42	136	E7-6.00-IFB-42	146
48	57,00	4,00	59,50	6,00	54,00	E6-6.00-IFB-48	150	E7-6.00-IFB-48	162
54	63,00	4,00	65,50	6,00	60,00	E6-6.00-IFB-54	165	E7-6.00-IFB-54	179
60	69,00	4,00	71,50	6,00	66,00	E6-6.00-IFB-60	180	E7-6.00-IFB-60	195
72	81,00	4,00	83,50	6,00	78,00	E6-6.00-IFB-72	210	E7-6.00-IFB-72	227
84	93,00	4,00	95,50	6,00	90,00	E6-6.00-IFB-84	239	E7-6.00-IFB-84	259
96	105,00	4,00	107,50	6,00	102,00	E6-6.00-IFB-96	269	E7-6.00-IFB-96	291

# CEMA E – Self Training Troughers



## 20° Self Training Troughers

Belt Width	A	B	C	D	G	6" Roll Diameter					7" Roll Diameter				
						Part Number	E	H	K	Weight	Part Number	E	H	K	Weight
36	45,00	8,50	48,00	18,00	13,19	E6-20-TST-36	16,63	40,67	11,88	247	E7-20-TST-36	17,10	40,33	12,38	275
42	51,00	8,50	54,00	18,00	15,25	E6-20-TST-42	17,33	46,62	11,88	281	E7-20-TST-42	17,80	46,27	12,38	312
48	57,00	8,50	60,00	18,00	17,38	E6-20-TST-48	18,07	52,84	11,88	303	E7-20-TST-48	18,54	52,50	12,38	339
54	63,00	8,50	66,00	18,00	19,44	E6-20-TST-54	18,76	58,65	11,88	342	E7-20-TST-54	19,23	58,32	12,38	382
60	69,00	8,50	72,00	18,00	21,50	E6-20-TST-60	19,47	64,58	11,88	382	E7-20-TST-60	19,94	64,24	12,38	426
72	81,00	8,50	84,00	18,00	25,69	E6-20-TST-72	21,02	76,67	12,00	474	E7-20-TST-72	21,49	76,33	12,50	526
84	93,00	8,50	96,00	18,00	29,88	E6-20-TST-84	22,45	88,72	12,00	524	E7-20-TST-84	22,92	88,38	12,50	584
96	105,00	8,50	108,00	18,00	34,00	E6-20-TST-96	23,86	100,58	12,00	575	E7-20-TST-96	24,33	100,24	12,50	643

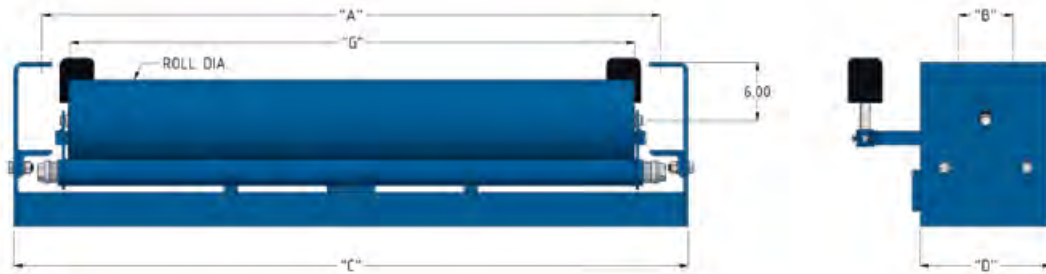
## 35° Self Training Troughers

Belt Width	A	B	C	D	G	6" Roll Diameter					7" Roll Diameter				
						Part Number	E	H	K	Weight	Part Number	E	H	K	Weight
36	45,00	8,50	48,00	18,00	13,19	E6-35-TST-36	19,67	36,25	11,88	252	E7-35-TST-36	20,08	35,70	12,38	280
42	51,00	8,50	54,00	18,00	15,25	E6-35-TST-42	20,85	41,69	11,88	286	E7-35-TST-42	21,26	41,14	12,38	317
48	57,00	8,50	60,00	18,00	17,38	E6-35-TST-48	22,08	47,40	11,88	308	E7-35-TST-48	22,49	46,86	12,38	344
54	63,00	8,50	66,00	18,00	19,44	E6-35-TST-54	23,26	52,72	11,88	348	E7-35-TST-54	23,65	52,15	12,38	388
60	69,00	8,50	72,00	18,00	21,50	E6-35-TST-60	24,44	58,16	11,88	388	E7-35-TST-60	24,83	57,59	12,38	432
72	81,00	8,50	84,00	18,00	25,69	E6-35-TST-72	26,96	69,23	12,00	491	E7-35-TST-72	27,37	68,69	12,50	543
84	93,00	8,50	96,00	18,00	29,88	E6-35-TST-84	29,37	80,26	12,00	542	E7-35-TST-84	29,76	79,70	12,50	602
96	105,00	8,50	108,00	18,00	34,00	E6-35-TST-96	31,73	91,14	12,00	592	E7-35-TST-96	32,12	90,57	12,50	660

## 45° Self Training Troughers

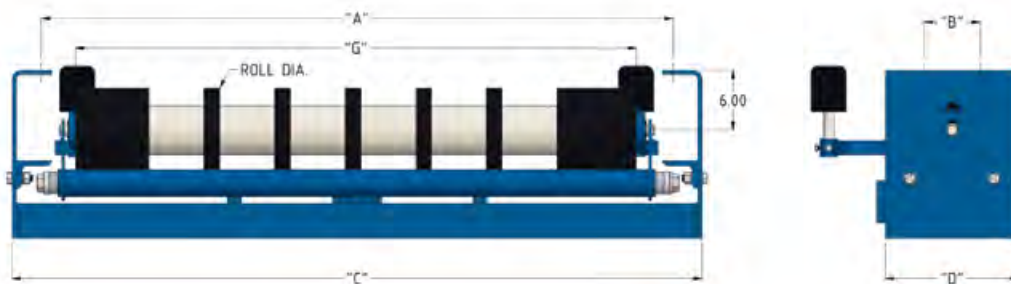
Belt Width	A	B	C	D	G	5" Roll Diameter					6" Roll Diameter				
						Part Number	E	H	K	Weight	Part Number	E	H	K	Weight
36	45,00	8,50	48,00	18,00	13,19	E6-45-TST-36	21,56	33,57	11,88	257	E7-45-TST-36	20,78	32,86	12,38	285
42	51,00	8,50	54,00	18,00	15,25	E6-45-TST-42	23,02	38,63	11,88	291	E7-45-TST-42	22,24	37,92	12,38	322
48	57,00	8,50	60,00	18,00	17,38	E6-45-TST-48	24,54	43,74	11,88	313	E7-45-TST-48	23,76	43,03	12,38	349
54	63,00	8,50	66,00	18,00	19,44	E6-45-TST-54	25,95	48,65	11,88	354	E7-45-TST-54	25,42	47,94	12,38	394
60	69,00	8,50	72,00	18,00	21,50	E6-45-TST-60	27,41	53,62	11,88	394	E7-45-TST-60	26,88	52,91	12,38	438
72	81,00	8,50	84,00	18,00	25,69	E6-45-TST-72	30,50	63,75	12,00	508	E7-45-TST-72	30,35	63,04	12,50	560
84	93,00	8,50	96,00	18,00	29,88	E6-45-TST-84	33,50	73,85	12,00	560	E7-45-TST-84	33,35	73,14	12,50	620
96	105,00	8,50	108,00	18,00	34,00	E6-45-TST-96	36,41	83,80	12,00	609	E7-45-TST-96	36,26	83,09	12,50	677

# CEMA E – Self Training Returns



## Self Training Returns

Belt Width	A	B	C	D	E	G	6" Roll Diameter		7" Roll Diameter	
							Part Number	Weight	Part Number	Weight
36	45,00	9,50	49,00	12,50	16,19	42,00	E6-6.00-RST-36	234	E7-6.00-RST-36	261
42	51,00	9,50	55,00	12,50	16,19	48,00	E6-6.00-RST-42	254	E7-6.00-RST-42	285
48	57,00	9,50	61,00	12,50	16,19	54,00	E6-6.00-RST-48	274	E7-6.00-RST-48	310
54	63,00	9,50	67,00	12,50	16,19	60,00	E6-6.00-RST-54	294	E7-6.00-RST-54	334
60	69,00	9,50	73,00	12,50	16,19	66,00	E6-6.00-RST-60	314	E7-6.00-RST-60	358
72	81,00	9,50	85,00	12,50	17,19	78,00	E6-6.00-RST-72	428	E7-6.00-RST-72	479
84	93,00	9,50	97,00	12,50	17,19	90,00	E6-6.00-RST-84	479	E7-6.00-RST-84	538
96	105,00	9,50	109,00	12,50	17,19	102,00	E6-6.00-RST-96	530	E7-6.00-RST-96	596

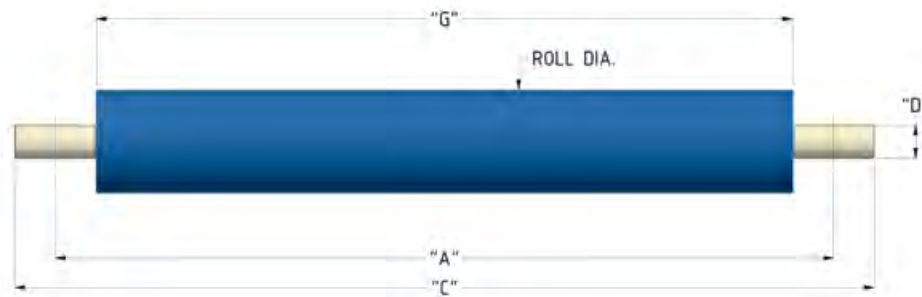


## Rubber Disc Self Training Returns

Belt Width	A	B	C	D	E	G	6" Roll Diameter		7" Roll Diameter	
							Part Number	Weight	Part Number	Weight
36	45,00	9,50	49,00	12,50	16,19	42,00	E6-6.00-RDRST-36	230	E7-6.00-RDRST-36	257
42	51,00	9,50	55,00	12,50	16,19	48,00	E6-6.00-RDRST-42	249	E7-6.00-RDRST-42	280
48	57,00	9,50	61,00	12,50	16,19	54,00	E6-6.00-RDRST-48	268	E7-6.00-RDRST-48	304
54	63,00	9,50	67,00	12,50	16,19	60,00	E6-6.00-RDRST-54	287	E7-6.00-RDRST-54	327
60	69,00	9,50	73,00	12,50	16,19	66,00	E6-6.00-RDRST-60	306	E7-6.00-RDRST-60	350
72	81,00	9,50	85,00	12,50	17,19	78,00	E6-6.00-RDRST-72	416	E7-6.00-RDRST-72	467
84	93,00	9,50	97,00	12,50	17,19	90,00	E6-6.00-RDRST-84	465	E7-6.00-RDRST-84	524
96	105,00	9,50	109,00	12,50	17,19	102,00	E6-6.00-RDRST-96	513	E7-6.00-RDRST-96	579

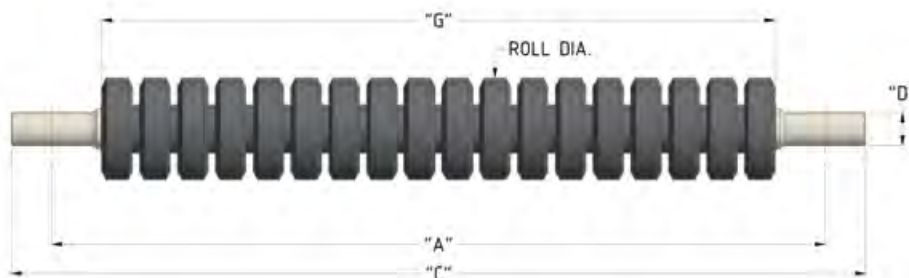


# CEMA E – Live Shafts



## Live Shafts

Belt Width	A	C	D	G	6" Roll Diameter		7" Roll Diameter	
					Part Number	Weight	Part Number	Weight
36	45,00	50,00	2,44	38,25	E6-LS-36	186	E7-LS-36	193
42	51,00	56,00	2,44	44,25	E6-LS-42	209	E7-LS-42	216
48	57,00	62,00	2,44	50,25	E6-LS-48	223	E7-LS-48	230
54	63,00	68,00	2,44	56,25	E6-LS-54	239	E7-LS-54	246
60	69,00	74,00	2,44	62,25	E6-LS-60	254	E7-LS-60	261
72	81,00	86,00	2,44	74,25	E6-LS-72	303	E7-LS-72	310
84	93,00	98,00	2,44	86,25	E6-LS-84	338	E7-LS-84	345
96	105,00	110,00	2,44	98,25	E6-LS-96	355	E7-LS-96	362



## Impact Live Shafts

Belt Width	A	C	D	G	6" Roll Diameter		7" Roll Diameter	
					Part Number	Weight	Part Number	Weight
36	45,00	50,00	2,44	38,25	E6-ILS-36	206	E7-ILS-36	213
42	51,00	56,00	2,44	44,25	E6-ILS-42	234	E7-ILS-42	241
48	57,00	62,00	2,44	50,25	E6-ILS-48	258	E7-ILS-48	265
54	63,00	68,00	2,44	56,25	E6-ILS-54	284	E7-ILS-54	291
60	69,00	74,00	2,44	62,25	E6-ILS-60	309	E7-ILS-60	316
72	81,00	86,00	2,44	74,25	E6-ILS-72	363	E7-ILS-72	370
84	93,00	98,00	2,44	86,25	E6-ILS-84	398	E7-ILS-84	405
96	105,00	110,00	2,44	98,25	E6-ILS-96	420	E7-ILS-96	427

# CEMA C – Steel Rolls



## Troughers

Belt Width	5" Roll Diameter	6" Roll Diameter
	Part Number	Part Number
18	C5-TR-18	C6-TR-18
24	C5-TR-24	C6-TR-24
30	C5-TR-30	C6-TR-30
36	C5-TR-36	C6-TR-36
42	C5-TR-42	C6-TR-42
48	C5-TR-48	C6-TR-48
54	C5-TR-54	C6-TR-54
60	C5-TR-60	C6-TR-60

## Picking Table

Belt Width	5" Roll Diameter	6" Roll Diameter
	Part Number	Part Number
End	C5-PT-END	C6-PT-END
24	C5-PT-24	C6-PT-24
30	C5-PT-30	C6-PT-30
36	C5-PT-36	C6-PT-36
42	C5-PT-42	C6-PT-42
48	C5-PT-48	C6-PT-48
54	C5-PT-54	C6-PT-54
60	C5-PT-60	C6-PT-60

## Flat Belt

Belt Width	5" Roll Diameter	6" Roll Diameter
	Part Number	Part Number
18	C5-FB-18	C6-FB-18
24	C5-FB-24	C6-FB-24
30	C5-FB-30	C6-FB-30
36	C5-FB-36	C6-FB-36
42	C5-FB-42	C6-FB-42
48	C5-FB-48	C6-FB-48
54	C5-FB-54	C6-FB-54
60	C5-FB-60	C6-FB-60

## Flat Return

Belt Width	5" Roll Diameter	6" Roll Diameter
	Part Number	Part Number
18	C5-RET-18	C6-RET-18
24	C5-RET-24	C6-RET-24
30	C5-RET-30	C6-RET-30
36	C5-RET-36	C6-RET-36
42	C5-RET-42	C6-RET-42
48	C5-RET-48	C6-RET-48
54	C5-RET-54	C6-RET-54
60	C5-RET-60	C6-RET-60

## V-Return

Belt Width	5" Roll Diameter	6" Roll Diameter
	Part Number	Part Number
18	C5-VR-18	C6-VR-18
24	C5-VR-24	C6-VR-24
30	C5-VR-30	C6-VR-30
36	C5-VR-36	C6-VR-36
42	C5-VR-42	C6-VR-42
48	C5-VR-48	C6-VR-48
54	C5-VR-54	C6-VR-54
60	C5-VR-60	C6-VR-60

# CEMA C – Impact Rolls



## Impact

Belt Width	5" Roll Diameter	6" Roll Diameter
	Part Number	Part Number
18	C5-IM-18	C6-IM-18
24	C5-IM-24	C6-IM-24
30	C5-IM-30	C6-IM-30
36	C5-IM-36	C6-IM-36
42	C5-IM-42	C6-IM-42
48	C5-IM-48	C6-IM-48
54	C5-IM-54	C6-IM-54
60	C5-IM-60	C6-IM-60

## Impact Picking Table

Belt Width	5" Roll Diameter	6" Roll Diameter
	Part Number	Part Number
End	C5-IPT-END	C6-IPT-END
24	C5-IPT-24	C6-IPT-24
30	C5-IPT-30	C6-IPT-30
36	C5-IPT-36	C6-IPT-36
42	C5-IPT-42	C6-IPT-42
48	C5-IPT-48	C6-IPT-48
54	C5-IPT-54	C6-IPT-54
60	C5-IPT-60	C6-IPT-60

## Impact Flat Belt

Belt Width	5" Roll Diameter	6" Roll Diameter
	Part Number	Part Number
18	C5-IFB-18	C6-IFB-18
24	C5-IFB-24	C6-IFB-24
30	C5-IFB-30	C6-IFB-30
36	C5-IFB-36	C6-IFB-36
42	C5-IFB-42	C6-IFB-42
48	C5-IFB-48	C6-IFB-48
54	C5-IFB-54	C6-IFB-54
60	C5-IFB-60	C6-IFB-60

# CEMA C – Rubber Disc Rolls



## Rubber Disc Return

Belt Width	5" Roll Diameter	6" Roll Diameter
	Part Number	Part Number
18	C5-RDR-18	C6-RDR-18
24	C5-RDR-24	C6-RDR-24
30	C5-RDR-30	C6-RDR-30
36	C5-RDR-36	C6-RDR-36
42	C5-RDR-42	C6-RDR-42
48	C5-RDR-48	C6-RDR-48
54	C5-RDR-54	C6-RDR-54
60	C5-RDR-60	C6-RDR-60

## Rubber Disc V-Return

Belt Width	5" Roll Diameter	6" Roll Diameter
	Part Number	Part Number
18	C5-RDVR-18	C6-RDVR-18
24	C5-RDVR-24	C6-RDVR-24
30	C5-RDVR-30	C6-RDVR-30
36	C5-RDVR-36	C6-RDVR-36
42	C5-RDVR-42	C6-RDVR-42
48	C5-RDVR-48	C6-RDVR-48
54	C5-RDVR-54	C6-RDVR-54
60	C5-RDVR-60	C6-RDVR-60



# CEMA D – Steel Rolls



## Troughers

Belt Width	5" Roll Diameter	6" Roll Diameter
	Part Number	Part Number
24	D5-TR-24	D6-TR-24
30	D5-TR-30	D6-TR-30
36	D5-TR-36	D6-TR-36
42	D5-TR-42	D6-TR-42
48	D5-TR-48	D6-TR-48
54	D5-TR-54	D6-TR-54
60	D5-TR-60	D6-TR-60
72	D5-TR-72	D6-TR-72

## Picking Table

Belt Width	5" Roll Diameter	6" Roll Diameter
	Part Number	Part Number
End	D5-PT-END	D6-PT-END
24	D5-PT-24	D6-PT-24
30	D5-PT-30	D6-PT-30
36	D5-PT-36	D6-PT-36
42	D5-PT-42	D6-PT-42
48	D5-PT-48	D6-PT-48
54	D5-PT-54	D6-PT-54
60	D5-PT-60	D6-PT-60
72	D5-PT-72	D6-PT-72

## Flat Belt

Belt Width	5" Roll Diameter	6" Roll Diameter
	Part Number	Part Number
24	D5-FB-24	D6-FB-24
30	D5-FB-30	D6-FB-30
36	D5-FB-36	D6-FB-36
42	D5-FB-42	D6-FB-42
48	D5-FB-48	D6-FB-48
54	D5-FB-54	D6-FB-54
60	D5-FB-60	D6-FB-60
72	D5-FB-72	D6-FB-72

## Flat Return

Belt Width	5" Roll Diameter	6" Roll Diameter
	Part Number	Part Number
24	D5-RET-24	D6-RET-24
30	D5-RET-30	D6-RET-30
36	D5-RET-36	D6-RET-36
42	D5-RET-42	D6-RET-42
48	D5-RET-48	D6-RET-48
54	D5-RET-54	D6-RET-54
60	D5-RET-60	D6-RET-60
72	D5-RET-72	D6-RET-72

## V-Return

Belt Width	5" Roll Diameter	6" Roll Diameter
	Part Number	Part Number
24	D5-VR-24	D6-VR-24
30	D5-VR-30	D6-VR-30
36	D5-VR-36	D6-VR-36
42	D5-VR-42	D6-VR-42
48	D5-VR-48	D6-VR-48
54	D5-VR-54	D6-VR-54
60	D5-VR-60	D6-VR-60
72	D5-VR-72	D6-VR-72

# CEMA D – Impact Rolls



## Impact

Belt Width	5" Roll Diameter	6" Roll Diameter
	Part Number	Part Number
24	D5-IM-24	D6-IM-24
30	D5-IM-30	D6-IM-30
36	D5-IM-36	D6-IM-36
42	D5-IM-42	D6-IM-42
48	D5-IM-48	D6-IM-48
54	D5-IM-54	D6-IM-54
60	D5-IM-60	D6-IM-60
72	D5-IM-72	D6-IM-72

## Impact Picking Table

Belt Width	5" Roll Diameter	6" Roll Diameter
	Part Number	Part Number
End	D5-IPT-END	D6-IPT-END
24	D5-IPT-24	D6-IPT-24
30	D5-IPT-30	D6-IPT-30
36	D5-IPT-36	D6-IPT-36
42	D5-IPT-42	D6-IPT-42
48	D5-IPT-48	D6-IPT-48
54	D5-IPT-54	D6-IPT-54
60	D5-IPT-60	D6-IPT-60
72	D5-IPT-72	D6-IPT-72

## Impact Flat Belt

Belt Width	5" Roll Diameter	6" Roll Diameter
	Part Number	Part Number
24	D5-IFB-24	D6-IFB-24
30	D5-IFB-30	D6-IFB-30
36	D5-IFB-36	D6-IFB-36
42	D5-IFB-42	D6-IFB-42
48	D5-IFB-48	D6-IFB-48
54	D5-IFB-54	D6-IFB-54
60	D5-IFB-60	D6-IFB-60
72	D5-IFB-72	D6-IFB-72

# CEMA D – Rubber Disc Rolls



## Rubber Disc Return

Belt Width	5" Roll Diameter	6" Roll Diameter
	Part Number	Part Number
24	D5-RDR-24	D6-RDR-24
30	D5-RDR-30	D6-RDR-30
36	D5-RDR-36	D6-RDR-36
42	D5-RDR-42	D6-RDR-42
48	D5-RDR-48	D6-RDR-48
54	D5-RDR-54	D6-RDR-54
60	D5-RDR-60	D6-RDR-60
72	D5-RDR-72	D6-RDR-72

## Rubber Disc V-Return

Belt Width	5" Roll Diameter	6" Roll Diameter
	Part Number	Part Number
24	D5-RDVR-24	D6-RDVR-24
30	D5-RDVR-30	D6-RDVR-30
36	D5-RDVR-36	D6-RDVR-36
42	D5-RDVR-42	D6-RDVR-42
48	D5-RDVR-48	D6-RDVR-48
54	D5-RDVR-54	D6-RDVR-54
60	D5-RDVR-60	D6-RDVR-60
72	D5-RDVR-72	D6-RDVR-72

# CEMA E – Steel Rolls



## Troughers

Belt Width	6" Roll Diameter		7" Roll Diameter	
	Part Number	Weight	Part Number	Weight
36	E6-TR-36	32	E7-TR-36	35
42	E6-TR-42	36	E7-TR-42	39
48	E6-TR-48	40	E7-TR-48	44
54	E6-TR-54	44	E7-TR-54	49
60	E6-TR-60	48	E7-TR-60	53
72	E6-TR-72	56	E7-TR-72	58
84	E6-TR-84	64	E7-TR-84	71
96	E6-TR-96	73	E7-TR-96	80

## Picking Table

Belt Width	6" Roll Diameter		7" Roll Diameter	
	Part Number	Weight	Part Number	Weight
END	E6-PT-END	28	E7-PT-END	30
36	E6-PT-36	51	E7-PT-36	54
42	E6-PT-42	66	E7-PT-42	70
48	E6-PT-48	83	E7-PT-48	87
54	E6-PT-54	96	E7-PT-54	101
60	E6-PT-60	112	E7-PT-60	117
72	E6-PT-72	146	E7-PT-72	151
84	E6-PT-84	178	E7-PT-84	184
96	E6-PT-96	210	E7-PT-96	217

## Flat Belt

Belt Width	6" Roll Diameter		7" Roll Diameter	
	Part Number	Weight	Part Number	Weight
36	E6-FB-36	95	E7-FB-36	104
42	E6-FB-42	107	E7-FB-42	117
48	E6-FB-48	118	E7-FB-48	130
54	E6-FB-54	130	E7-FB-54	144
60	E6-FB-60	142	E7-FB-60	157
72	E6-FB-72	166	E7-FB-72	183
84	E6-FB-84	189	E7-FB-84	209
96	E6-FB-96	213	E7-FB-96	235

## Flat Return

Belt Width	6" Roll Diameter		7" Roll Diameter	
	Part Number	Weight	Part Number	Weight
36	E6-RET-36	95	E7-RET-36	104
42	E6-RET-42	107	E7-RET-42	117
48	E6-RET-48	118	E7-RET-48	130
54	E6-RET-54	130	E7-RET-54	144
60	E6-RET-60	142	E7-RET-60	157
72	E6-RET-72	166	E7-RET-72	183
84	E6-RET-84	189	E7-RET-84	209
96	E6-RET-96	213	E7-RET-96	235

## V-Return

Belt Width	6" Roll Diameter		7" Roll Diameter	
	Part Number	Weight	Part Number	Weight
36	E6-VR-36	48	E7-VR-36	50
42	E6-VR-42	53	E7-VR-42	57
48	E6-VR-48	59	E7-VR-48	63
54	E6-VR-54	65	E7-VR-54	70
60	E6-VR-60	71	E7-VR-60	76
72	E6-VR-72	83	E7-VR-72	89
84	E6-VR-84	95	E7-VR-84	102
96	E6-VR-96	106	E7-VR-96	115



# CEMA E – Impact Rolls



## Impact

Belt Width	6" Roll Diameter		7" Roll Diameter	
	Part Number	Weight	Part Number	Weight
36	E6-IM-36	38	E7-IM-36	41
42	E6-IM-42	43	E7-IM-42	46
48	E6-IM-48	49	E7-IM-48	52
54	E6-IM-54	55	E7-IM-54	58
60	E6-IM-60	60	E7-IM-60	63
72	E6-IM-72	70	E7-IM-72	74
84	E6-IM-84	81	E7-IM-84	85
96	E6-IM-96	93	E7-IM-96	97

## Impact Picking Table

Belt Width	6" Roll Diameter		7" Roll Diameter	
	Part Number	Weight	Part Number	Weight
End	E6-IPT-END	28	E7-IPT-END	32
36	E6-IPT-36	70	E7-IPT-36	72
42	E6-IPT-42	88	E7-IPT-42	88
48	E6-IPT-48	102	E7-IPT-48	105
54	E6-IPT-54	118	E7-IPT-54	119
60	E6-IPT-60	132	E7-IPT-60	135
72	E6-IPT-72	165	E7-IPT-72	169
84	E6-IPT-84	198	E7-IPT-84	202
96	E6-IPT-96	230	E7-IPT-96	235

## Impact Flat Belt

Belt Width	6" Roll Diameter		7" Roll Diameter	
	Part Number	Weight	Part Number	Weight
36	E6-IFB-36	116	E7-IFB-36	125
42	E6-IFB-42	131	E7-IFB-42	141
48	E6-IFB-48	145	E7-IFB-48	157
54	E6-IFB-54	160	E7-IFB-54	174
60	E6-IFB-60	175	E7-IFB-60	190
72	E6-IFB-72	205	E7-IFB-72	222
84	E6-IFB-84	234	E7-IFB-84	254
96	E6-IFB-96	264	E7-IFB-96	286

# CEMA E – Rubber Disc Rolls



## Rubber Disc Return

Belt Width	6" Roll Diameter		7" Roll Diameter	
	Part Number	Weight	Part Number	Weight
36	E6-RDR-36	95	E7-RDR-36	106
42	E6-RDR-42	108	E7-RDR-42	119
48	E6-RDR-48	120	E7-RDR-48	132
54	E6-RDR-54	132	E7-RDR-54	145
60	E6-RDR-60	144	E7-RDR-60	157
72	E6-RDR-72	168	E7-RDR-72	182
84	E6-RDR-84	191	E7-RDR-84	208
96	E6-RDR-96	216	E7-RDR-96	234

## Rubber Disc V-Return

Belt Width	6" Roll Diameter		7" Roll Diameter	
	Part Number	Weight	Part Number	Weight
36	E6-RDVR-36	47	E7-RDVR-36	52
42	E6-RDVR-42	54	E7-RDVR-42	60
48	E6-RDVR-48	59	E7-RDVR-48	65
54	E6-RDVR-54	65	E7-RDVR-54	72
60	E6-RDVR-60	71	E7-RDVR-60	79
72	E6-RDVR-72	83	E7-RDVR-72	92
84	E6-RDVR-84	94	E7-RDVR-84	104
96	E6-RDVR-96	106	E7-RDVR-96	116

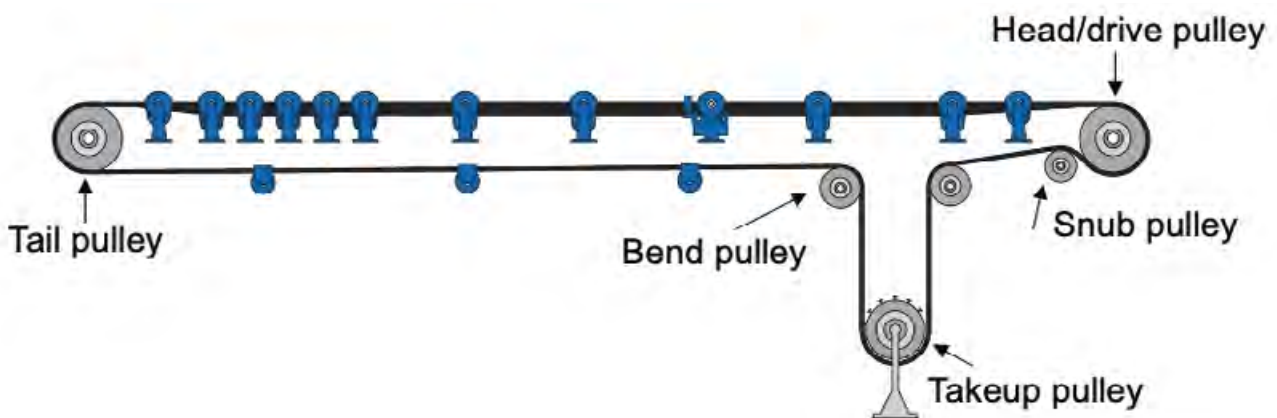


# Pulleys

---

A conveyor will always consist of at least two pulleys (head and tail) with additional pulleys used depending on the configuration. Standard-duty pulleys are usually adequate for simple applications, but mine-duty and engineered pulleys are also available where heavy-duty pulleys are required.





## Pulleys

Pulleys are divided into the following sub-categories:

### Head pulleys

The head pulley is located at the discharge point of the conveyor. It usually drives the conveyor and often has a larger diameter than other pulleys. It is usually lagged (with either rubber or ceramic lagging material) for better traction.

### Drive pulleys

Drive pulleys, which can also be the head pulley, are driven by a motor and power transmission unit to propel the belt and material to the discharge.

### Tail and wing pulleys

The tail pulley is located at the loading end of the belt. It comes with either a flat face or a slatted profile (wing pulley), which cleans the belt by allowing material to fall between the support members.

### Bend pulleys

A bend pulley is used for changing the direction of the belt.

### Snub pulleys

A snub pulley improves the traction of the drive pulley, by increasing its belt wrap angle.

### Takeup pulley

A takeup pulley is used to provide the belt with the proper amount of tension. Its position is adjustable.

# Questionnaires

---

We want to make sure all Metso representatives can provide customers with the swift, accurate proposals. No time wasted! In order to do this, we first need to gather some basic information about the customer's application. The eight questionnaires in the following section are designed for this purpose. They help speed up the process from first conversation to agreed proposal to actual delivery of the best, most suitable conveying solution on the market. Typical questions include: What kind of material is being conveyed? How far? And from what drop height? Simple, but important stuff. Armed with the responses to these questions, our sales force can put together a suggestion that fits the bill, and get it right first time.







# Conveyor Accessories

## Questionnaire - Trellex Impact Systems

(All data required for TIC – Trellex Impact Calculator)



**Project name/number:**

Installation date:

Customer:

Country:

City:

Contact person:

Sales person:


### Application data – **Mandatory!**

Existing/new:

Existing idler diameter (mm):

Belt width (mm):

Belt speed (m/s):

Length of impact zone (m):

Material flow (TPH):

Maximum drop height (m):


### Basis of calculation – **Mandatory!**

Max lump weight (kg):

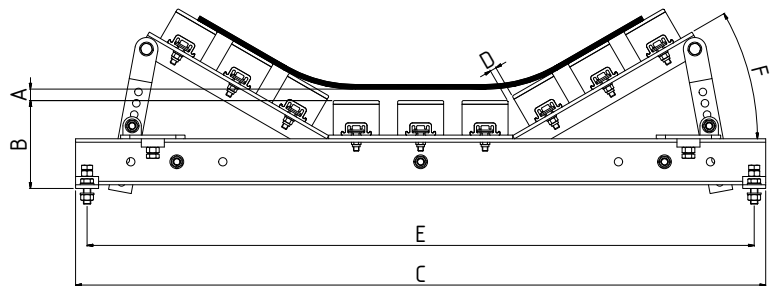
**or**

Material density (kg/m<sup>3</sup>):

**and**

Largest lump size (mm<sup>3</sup>):

Length ..... (mm):	Width ..... (mm):	Height..... (mm):

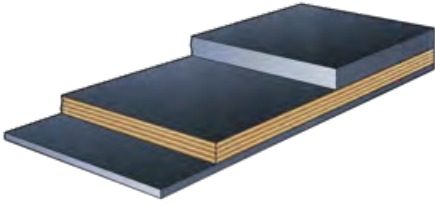


Description	A Distance between bars in the centre and normal unloaded line of the belt (mm)	B Backing height (mm)	C Max BW500- 1000 (mm)	C Max BW1200- 1600 (mm)	C Max BW1800- 2000 (mm)	D (mm)	E min (mm)	E max (mm)	F min (°)	F max (°)
TRELLEX IMPACT CRADLE <b>LIGHT (L)</b>	25	142	1500	2000	2500	5-15	50	C max-50	5	50
TRELLEX IMPACT CRADLE <b>MEDIUM (M)</b>	25	191	1500	2000	2500	5-15	50	C max-50	5	50
TRELLEX IMPACT CRADLE <b>HEAVY (H)</b>	25	231	1500	2000	2500	5-15	50	C max-50	5	50









# Conveyor Belt

## Questionnaire - Troughed Belt Conveyors

The information in orange is mandatory.

**Conveyor No. or name:**

Project:

Customer:

**CONVEYOR DATA**

Conveyor capacity (t/h):

Centre distance (m):

Lift height (m or °):

Belt width (mm):

Speed (m/s):

Operating time (h/d):

Ambient temperature (°C):

**DRIVE**

Position/number:

Motor power (kW):

Wrap angle (°):

Pulley lagging:

Torque-reduction device:  
(e.g. liquid coupling,  
frequency converter, etc.)

Starting/stopping time (s):

**TAKEUP**

Type (weight, screw...):

Position:

Gravity (t):

Takeup travel (m):

**PULLEY DIAMETERS IN MM**

Drive, head pulley:

Return, tail pulley:

Snub pulley:

Sketch (can also be attached):

**Written by:**

Date:

**MATERIAL DATA**

Material:

Bulk density (t/m<sup>3</sup>):

Temperature (°C):

Material size (mm):

Material characteristics:  
(e.g. abrasive, chemically aggressive,  
oily/greasy)

Drop height (m):

**TROUGHING/IDLERS**

Troughing angle (°):

Idler weight (kg):

Idler pitch (m):

Idler dia. (mm):

Transition distance (m):

**BELT SPECIFICATIONS**

Length (m):

Reinforcement type:

Tensile strength (N/mm):

Cover thicknesses (mm/mm):

Cover grade:

Special points:

Currently installed belt:

Additional remarks:

Carrying strand:

Return strand:

Carrying strand:

Return strand:

Carrying strand:

Return strand:

Head:

Tail:









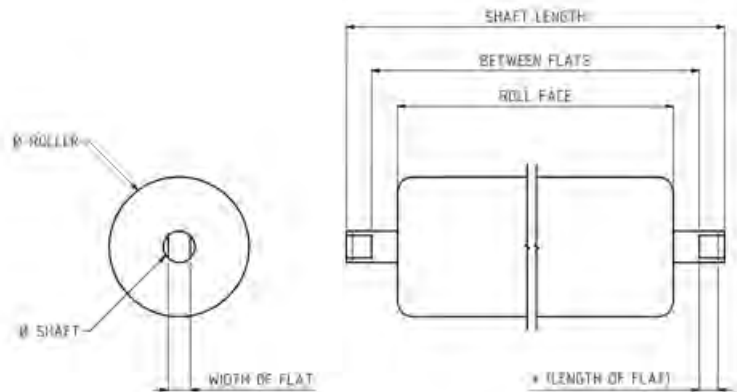
# Conveyor Components

## Questionnaire - Rollers

Roller	BW	Roller type	Shell-type	Ø Roller	Roll face	Between flats	Shaft length	Ø Shaft	Width of flat	Shaft end design	Length of flat *	Bearing
Example	800	Carry	Steel	127	315	323	343	25	14	Flat	-	6205
1												
2												
3												
4												
5												
6												
7												
8												
9												
10												

\* If internal flat

### Comments:









### **Reliability in Conveying**

Wouldn't it be more efficient to have one supplier for all your conveyor needs? Metso provides just that. We offer the most complete and versatile product range on the market to maximise the efficiency and safety of your conveyor operations. Whatever conveyor structure you operate, we have everything you need.

