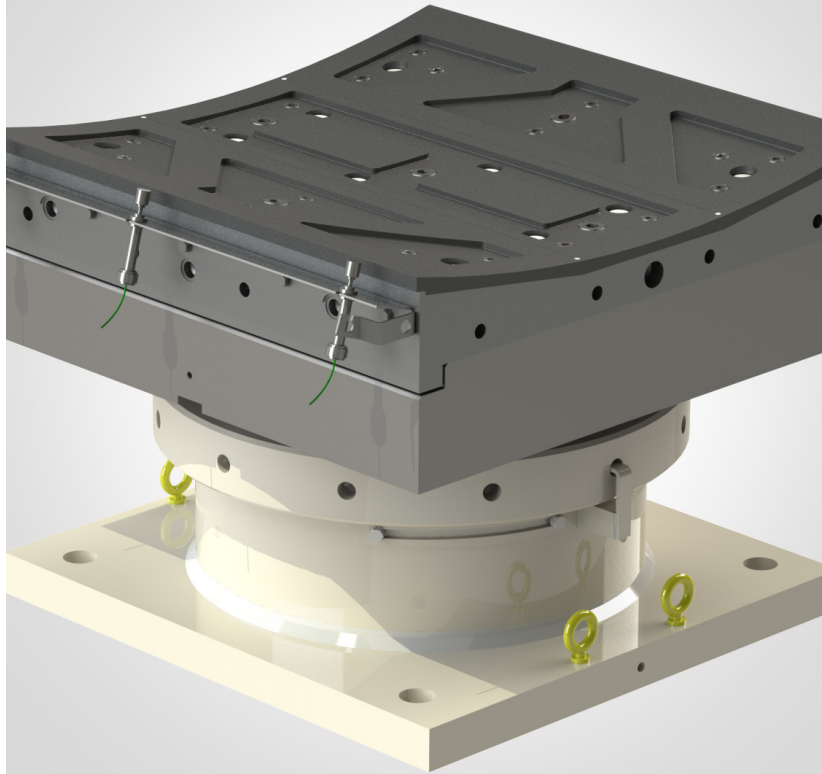


Metso:Outotec

For legacy Metso mills

Polymer Pads



Metso Outotec Polymer Pads extend the operating life and improve the reliability of bearings in bearing supported horizontal mills. The technology has been proven in over 100 grinding mills worldwide and it is now available for legacy Metso mills.

Longer pad lifetime

Metso Outotec polymer pads use advanced material technology to deliver long lasting performance in grinding mills. The material lasts longer than older types of bearing pads, which improves the reliability of your mill and saves you money.

More reliable lubrication

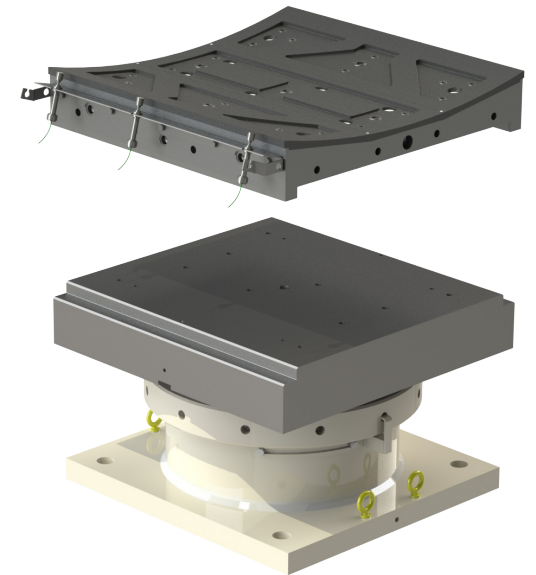
The pad design and the elastic properties of the polymer ensure that an adequate film of oil is maintained throughout the operation of the mill. The pads have a unique "cap on cap" design which houses all the hydraulic ports and connections. The simple bolt-on design requires no O-rings or sealing to match existing pattern in the base. The lubrication system is more efficient, so no accumulator circuit is required. This reduces space requirements and maintenance needs and improves safety as well.

Reduce the risk of damage

The reliable lubrication significantly lowers the risk of journal damage due to loss of hydraulic oil. In fact, the polymer material can even tolerate brief moments without lubricating oil without causing damage to the journal or the pads.

Reuse existing Metso bases

The "cap on cap" design also allows you to reuse existing Metso bases, as well as existing babbitted pads to save costs, reduce waste and improve sustainability.



Benefits

- Longer pad lifetime
- More reliable lubrication
- Reduce the risk of damage
- Reuse existing Metso bases

FEATURES The advanced polymer material and pad design ensure consistent and continuous lubrication of bearings in grinding mills.

Read more at mogroup.com/grinding-mill-upgrades

Keep your mill running efficiently and reliably

Metso Outotec designed these polymer pads to ensure good lubrication and smooth, trouble-free rotation in grinding mills. Both the polymer material and the structure of the pads have demonstrated their dependability in customer applications over the last 10 years.



Metso Outotec polymer technology

- Advanced pad material designed by Metso Outotec
- Increased longevity and reliability over babbitted bearing pads
- The polymer's elastic properties ensure an adequate oil film



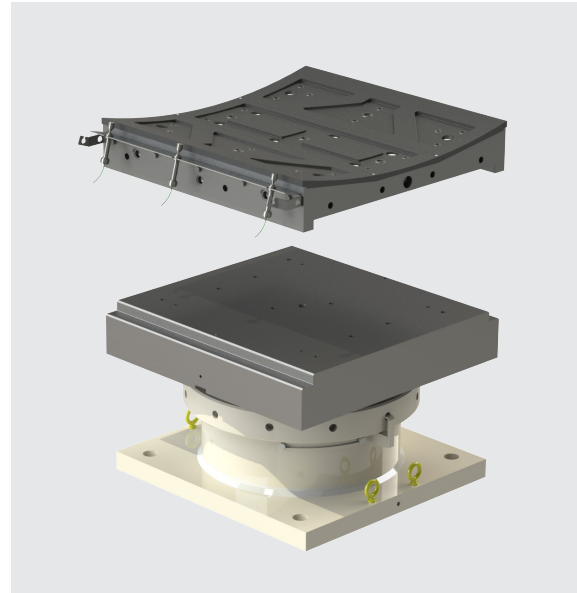
Improved reliability and lower maintenance

- Fewer pad replacements
- More efficient lubrication
- No accumulator circuit needed, requiring less maintenance



For legacy Metso mills

- Fits existing and older Metso bases
- Allows reuse of existing babbitted pads



Unique "cap on cap" design

- Including all hydraulic ports and connections
- Simple bolt-on design
- No O-rings or sealing required

Read more at mogroup.com/grinding-mill-upgrades