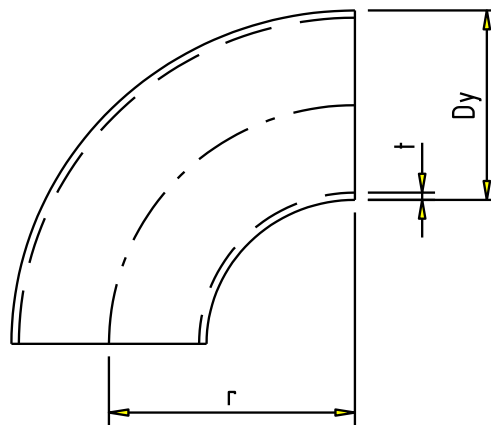


Title: **PIPING CLASS Edmeston SX®**Subject: **LONG RADIUS ELBOWS, SEAMLESS**Approved by:  
AHD**Material:**

Edmeston SX® Alloy. Approvals according to TÜV Einzelgutachten (latest edition) and UNS S32615.

**Certificates:**

According to EN 10204-3.1(raw material).



DN	Dy x t (mm)	r (mm)	Weight (kg)	Stock material	Remarks
25	33.2 x 3.5	38	0.2	Y	All elbows are available in 45 degree
50	60.3 x 3.0	76	0.5	Y	