

Title: **PIPING CLASS Edmeston SX®**

Approved by:

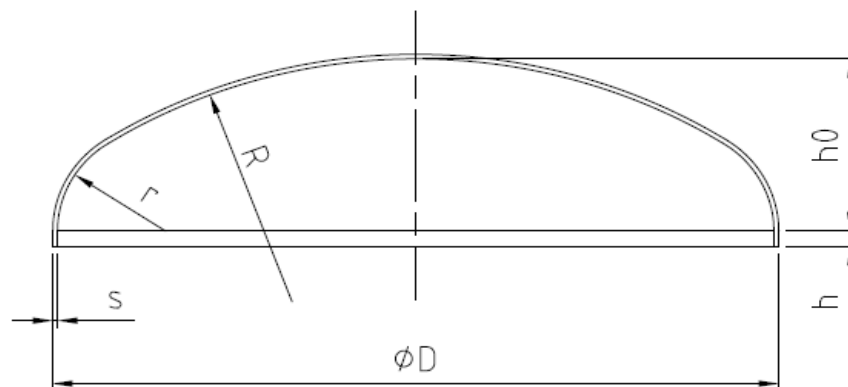
Subject: **CAPS**

AHD

**Material:** Edmeston SX® Alloy. Approvals according to TÜV Einzelgutachten (latest edition) and UNS S32615.

**Standard specifications:** Dimensional standard acc. to SS 482. Welding bevels according to ANSI B16.9.

**Certificates:** According to EN 10204-3.1 (raw material)



DN	Ø D (mm)	R (mm)	r (mm)	h <sub>0</sub> (mm)	h (mm)	s (mm)
50	60.3	48	9	15	12	3
80	88.9	71	14	23	12	3
100	114.3	92	18	29	15	4
150	168.3	136	26	44	15	4
200	219.1	179	34	58	15	4
250	273.1	223	43	71	15	4
300	323.9	254	49	81	15	4
350	355.6	290	56	93	15	4
400	406.4	330	63	106	25	6
450	457.2	371	71	119	25	6
500	508.0	412	79	132	25	6
550	558.8	466	88	145	25	6
600	609.6	498	95	158	25	6
900	914.4	736	142	234	25	6