

Title: **PIPING CLASS Edmeston SX®**

Approved by:

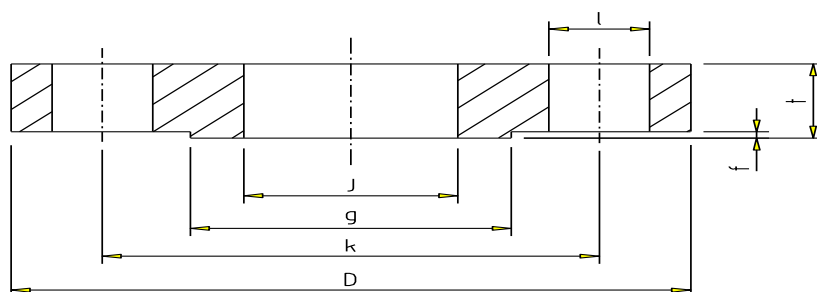
Subject: **PLANE WELDING FLANGES, RF, ANSI**

AHD

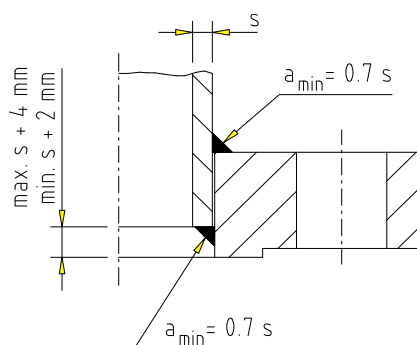
Material: Edmeston SX® Alloy. Approvals according to TÜV Einzelgutachten (latest edition) and UNS S32615.

Standard specifications: Dimensions acc. to ANSI B16.5 class 150# except for thickness which is calculated.

Certificates: According to EN 10204-3.1(raw material).



DN	D (mm)	k (mm)	g (mm)	J (mm)	t (mm)	f (mm)	l (mm)	Weight (kg)	Remarks
25	108	79.5	51.0	34.5	17.5	1.6	4 x 16	1.1	DN 32 & DN 40 can be manufactured upon request.
50	152	120.5	92.0	62.0	20	1.6	4 x 20	2.1	
80	190	152.5	127.0	90.5	20	1.6	4 x 20	3.2	
100	229	190.5	157.0	116.0	25.5	1.6	8 x 20	5.4	
125	254	216.0	185.5	142.0	29	1.6	8 x 22	6.9	
150	279	241.5	216.0	170.5	29	1.6	8 x 22	7.9	
200	343	298.5	270.0	221.5	29	1.6	8 x 22	11.4	
250	406	362.0	324.0	276.5	39.5	1.6	12 x 26	19.4	



TYPICAL PIPE TO FLANGE WELDING.