

Title: **PIPING CLASS Edmeston SX®**

Approved by:

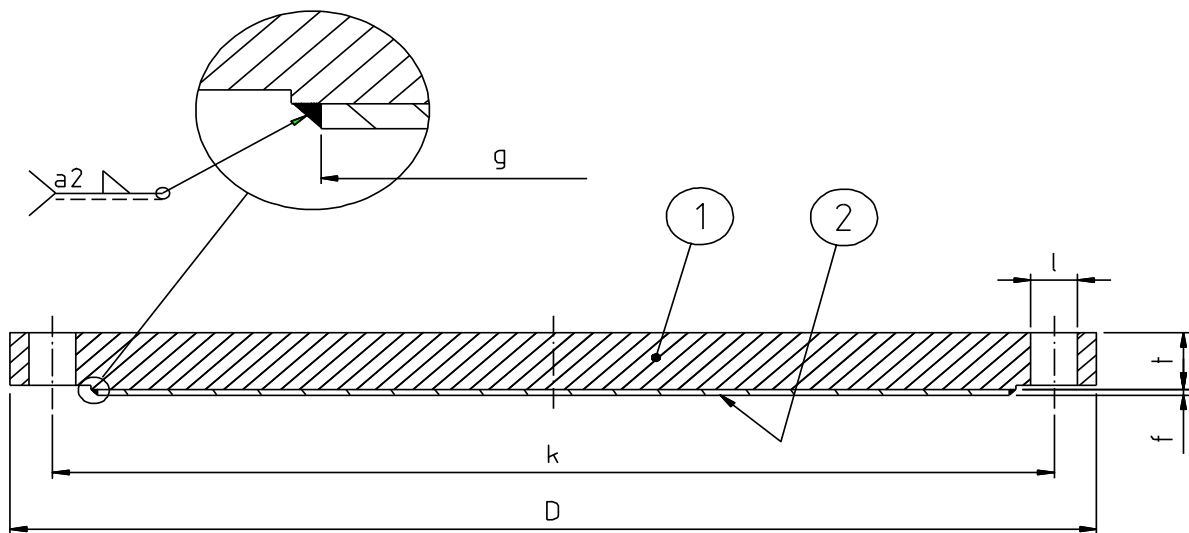
Subject: **LINED BLIND FLANGES, RF, ANSI**

AHD

Lining Material: Edmeston SX® Alloy. Approvals according to TÜV Einzelgutachten (latest edition) and UNS S32615.

Standard: According to ANSI B16.5 class 150#.

Certificates: According to EN 10204-3.1 (raw material) and NDT-reports.



2		PLATE LINING		SANDVIK SX	6 mm
1		STD. BLIND FLANGE ANSI B16.5		SA 182 TP 316L / TP 316 Ti	
Def nr. Item no	Antal Qty	Benämning Description	Referens Reference	Material Material	Ämnesdim Blank size

DN	D (mm)	k (mm)	g (mm)	t (mm)	f _{min} (mm)	l (mm)	Weight (kg)
250	406	362.0	318.0	30.2	3	12 x 25.4	30.7
300	483	431.8	375.0	31.8	3	12 x 25.4	45.8
350	533	476.3	407.0	34.9	3	12 x 28.4	62.0
400	597	539.8	464.0	36.5	3	16 x 28.4	83.0
450	635	577.9	527.5	39.7	3	16 x 31.8	98.8
500	699	635.0	578.0	42.9	3	20 x 31.8	128.1
600	813	749.3	686.0	47.6	3	20 x 35.1	193.6

f - Made from plate 6 mm
Original raced face= 1.6 mm