

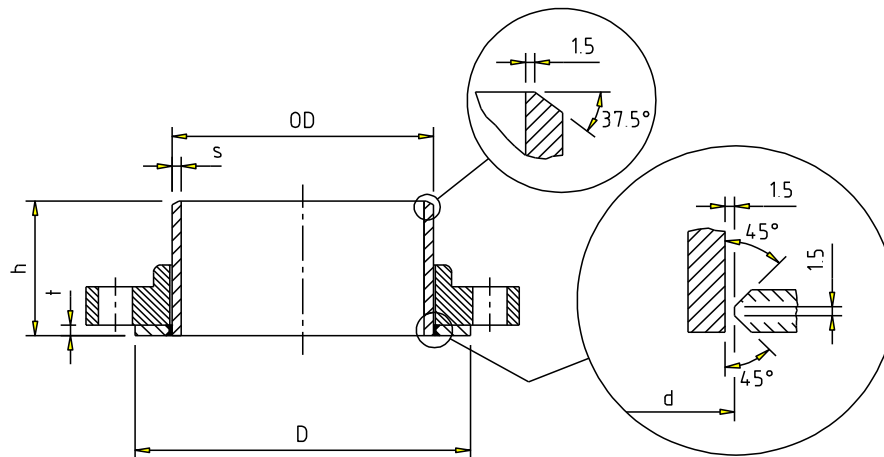
Title: **PIPING CLASS Edmeston SX®**
Subject: **STUB ENDS, ANSI**

Approved by:
AHD

Material: Edmeston SX® Alloy. Approvals according to TÜV Einzelgutachten (latest edition) and UNS S32615.

Standard specifications: ASTM A-403, MSS-SP43/type short pattern, ANSI B16.9 (applicable parts).

Certificates: According to EN 10204-3.1 (raw material) and NDT-reports.



DN	OD (mm)	D (mm)	d (mm)	S _{min} (mm)	t (mm)	h (mm)	Weight (kg)	Remarks
25	33.2	51	36.2	3.5	6	51	0.2	Other DN is available upon request
50	60.3	92	63.3	3.0	6	64	0.4	
80	88.9	127	91.9	3.0	8	64	0.9	
100	114.3	157	117.3	4.0	8	76	1.4	
125	139.7	186	142.7	4.0	8	76	1.8	
150	168.3	216	171.3	4.0	8	89	2.3	
200	219.1	270	222.1	4.0	8	102	3.4	
250	273.1	324	276.1	4.0	12	127	5.6	
300	323.9	381	326.9	4.0	12	152	7.8	
350	355.6	413	358.6	4.0	12	152	8.5	
400	406.4	470	409.4	6.0	12	152	13.1	
450	457.2	534	460.2	6.0	12	152	15.7	
500	508.0	584	511.0	6.0	12	152	17.4	
600	609.6	692	612.6	6.0	12	200*	21.5	

h - Length according to MSS SP-43, type short pattern.
t - Made from plate.

Loose flange - lap joint flange according to ANSI B16.5, class 150#. Note, loose flange not included.