

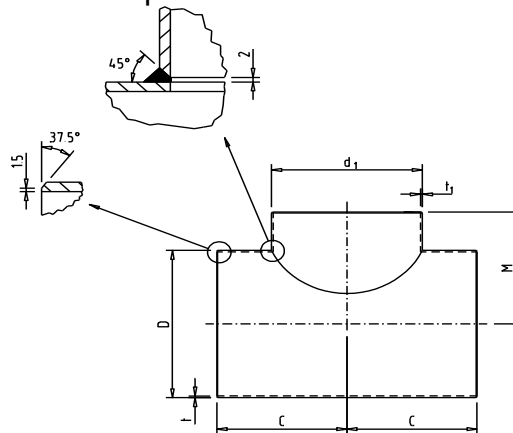
Title: **PIPING CLASS EDMESTON SX**
 Subject: **REDUCING TEES, WELDED**

Approved by:
 AHD

Material: Edmeston SX Alloy. Approvals according to TÜV Einzelgutachten (latest edition) and UNS S32615

Material specification: ASTM A-403, ANSI B16.9.

Certificates: According to EN 10204-3.1 (raw material) and NDT-reports.



DN	D x t (mm)	$d_1 \times t_1$ (mm)	C (mm)	M (mm)	Approx. weight (kg)
50 x 25	60.3 x 3.0	33.2 x 3.5	64	80	0.5
80 x 25	88.9 x 3.0	33.2 x 3.5	86	100	1.0
80 x 50	88.9 x 3.0	60.3 x 3.0	86	100	1.5
100 x 50	114.3 x 4.0	60.3 x 3.0	105	110	2.5
100 x 80	114.3 x 4.0	88.9 x 3.0	105	110	2.5
150 x 50	168.3 x 3.0	60.3 x 3.0	105	159	3.5
150 x 80	168.3 x 3.0	88.9 x 3.0	143	159	5.0
150 x 100	168.3 x 4.0	114.3 x 4.0	143	159	5.5
200 x 100	219.1 x 4.0	114.3 x 4.0	178	168	8.5
200 x 150	219.1 x 4.0	168.3 x 4.0	178	168	8.5
250 x 100	273.1 x 4.0	114.3 x 4.0	216	190	12.0
300 x 200	323.9 x 4.0	219.1 x 4.0	254	229	17.5
300 x 250	323.9 x 4.0	273.1 x 4.0	254	241	18.0
350 x 200	355.6 x 4.0	219.1 x 4.0	279	248	20.5
350 x 250	355.6 x 4.0	273.1 x 4.0	279	257	22.0
350 x 300	355.6 x 4.0	323.9 x 4.0	279	270	22.5
400 x 350	406.4 x 6.0	355.6 x 4.0	305	305	34.0
400 x 150	406.4 x 6.0	168.3 x 4.0	305	264	36.5
450 x 400	457.2 x 6.0	406.4 x 6.0	343	330	52.0
500 x 450	508.0 x 6.0	457.2 x 6.0	381	368	64.5
600 x 300	609.6 x 6.0	323.9 x 4.0	432	397	77.5
600 x 400	609.6 x 6.0	406.4 x 6.0	432	406	82.5
600 x 500	609.6 x 6.0	508.0 x 6.0	432	432	87.0

($M > D/2 + 50$ mm)