

Title: **PIPING CLASS EDMESTON SX**

Approved by:

Subject: **SPECIAL LINED PLANE WELDING FLANGES, RF, ANSI (SX/SS)**

AHD

Material:

ASTM SA182 TP 316L / TP 316 Ti

Lining material:

Edmeston SX Alloy. Approvals according to TÜV Einzelgutachten (latest edition) and UNS S32615.

Standard Specification:Dimensions according to ANSI B16.5 class 150[#]
Except for thickness (see note*).**Note***

Edmeston standard 30I-112 is not pressure rated.

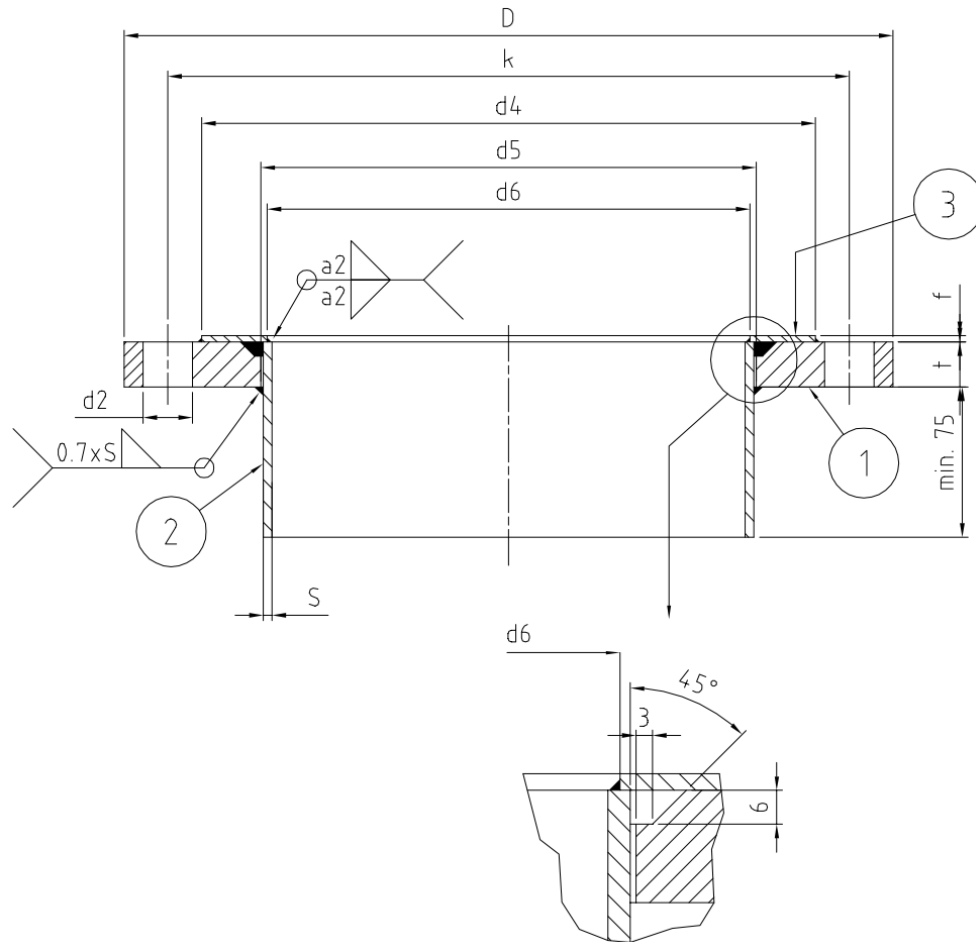
Table, see page 2 (2)

Title: PIPING CLASS EDMESTON SX

Approved by:

Subject: SPECIAL LINED PLANE WELDING FLANGES, RF, ANSI (SX/SS)

AHD



3	1	PLATE LINING		SX	$t=6$
2	1	PIPE		SX	
1	1	FLANGE ACC. TO ANSI B16.5 class 150#		SA 182 TP 316L/TP 316Ti	

DN	D (mm)	k (mm)	d_5 (flange) (mm)	d_2 (mm)	t (mm)	f_{min} (mm)	d_4 (mm)	d_6 (mm)	Weight (kg)	Remarks
200	343	298.5	221.5	8 x 22	20	3	270	213.0	8.5	
250	406	362.0	276.5	12 x 26	25	3	324	267.0	13.1	
300	483	432.0	327.0	12 x 26	25	3	381	318.0	19.2	
350	533	476.0	359.0	12 x 30	25	3	413	349.5	23.4	
400	597	540.0	410.5	16 x 30	25	3	470	400.5	28.2	
450	635	578.0	461.5	16 x 33	25	3	534	451.0	28.4	
500	698	635.0	513.5	20 x 33	25	3	584	502.0	33.3	
600	813	749.5	615.0	20 x 36	30	3	692	603.5	49.7	

f - Made from plate 6 mm