

Title: **PIPING CLASS EDMESTON SX**

Approved by:

Subject: **SPECIAL PLANE WELDING FLANGES, FF, ISO**

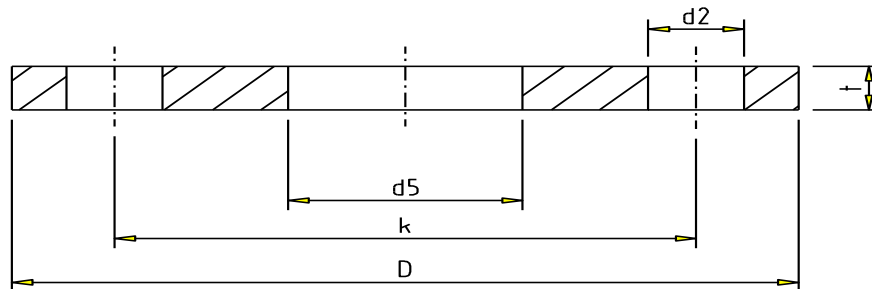
TFN

Material: ASTM SA182 TP 316L / TP 316 Ti

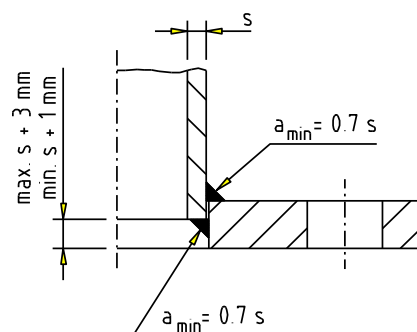
Lining Material: Edmeston SX Alloy. Approvals according to TÜV Einzelgutachten (latest edition) and UNS S32615

Standard: According to EN 1092-1 PN 10, Type 01 Except thickness.

Note: Edmeston standard 30I-115 is not pressure rated.



DN	D (mm)	k (mm)	d ₅ (mm)	t (mm)	d ₂ (mm)	Weight (kg)
25	115	85	34.5	9	4 x 14	0.6
32	140	100	43.5	9	4 x 18	0.7
40	150	110	49.5	9	4 x 18	0.9
50	165	125	61,5	9	4 x 18	1.2
65	185	145	77.5	9	4 x 18	1.4
80	200	160	90,5	9	8 x 18	1.6
100	220	180	116.0	9	8 x 18	2.8
125	250	210	142.0	9	8 x 18	3.4
150	285	240	170.5	9	8 x 22	4.2
200	340	295	221.5	19	8 x 22	7.3
250	395	350	276.5	19	12 x 22	8.6
300	445	400	327.5	19	12 x 22	10.0
350	505	460	359.0	19	16 x 23	13.8
400	565	515	411	19	16 x 26	16.4
500	670	620	513.5	19	20 x 26	20.2
600	780	725	615.5	19	20 x 30	24.6



TYPICAL PIPE TO FLANGE WELDING.