

Title: **PIPING CLASS EDMESTON SX**Subject: **SPECIAL LINED PLANE WELDING FLANGES, RF, ISO (SX/SS)**

Approved by:

AHD

**Material:** ASTM SA182 TP 316L / TP 316 Ti

**Lining material:** Edmeston SX Alloy. Approvals according to TÜV Einzelgutachten (latest edition) and UNS S32615.

**Standard:** Dimensions according to EN 1092-1 PN 10 Raised Face Type 01, Face Type B1 except for thickness (see note\*).

**Note\*** Edmeston standard 30I-116 is not pressure rated.

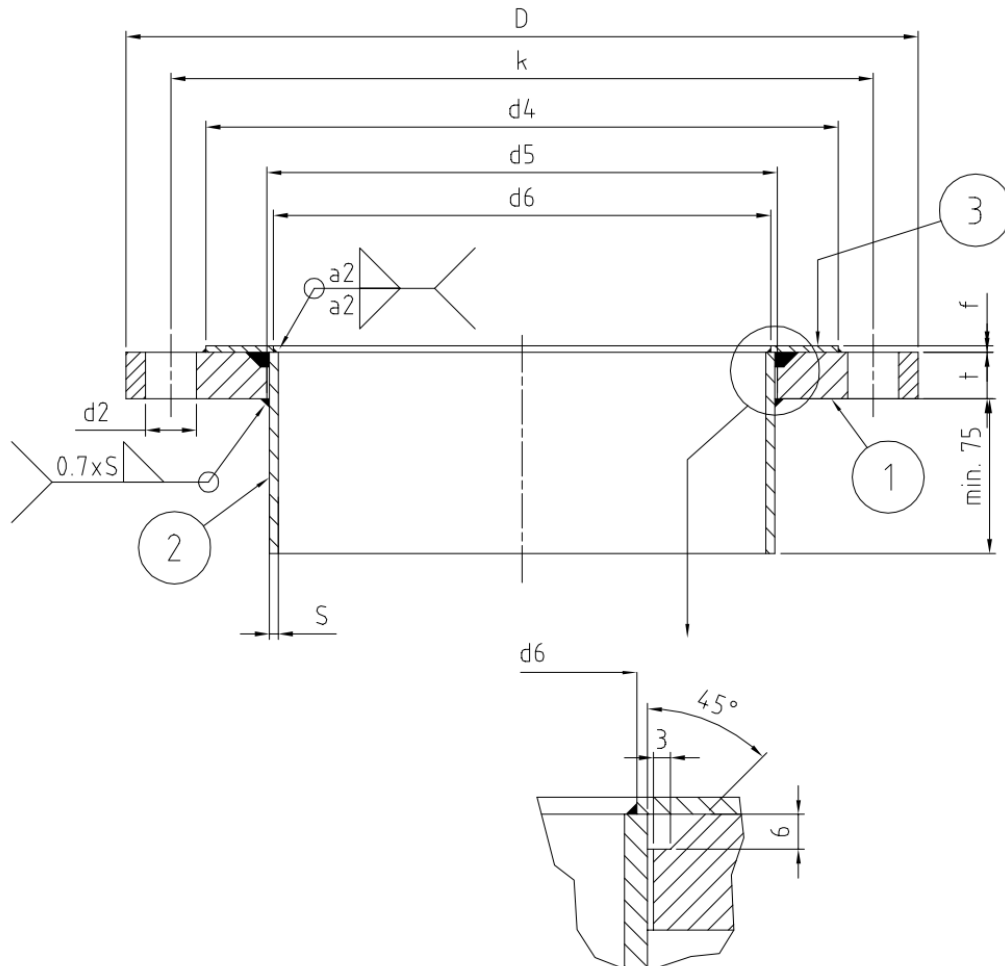
Table, see page 2 (2)

Title: **PIPING CLASS EDMESTON SX**

Approved by:

Subject: **SPECIAL LINED PLANE WELDING FLANGES, RF, ISO (SX/SS)**

AHD



3	1	PLATE LINING		SX	t=6
2	1	PIPE		SX	
1	1	FLANGE ACC. TO EN 1092-1 PN10 RAISED FACE TYPE 01, FACE TYPE 01 (except for thickness)		SA 182 TP 316L/TP 316Ti	
Item	Qty	Description	Reference	Material	Remarks

DN	D (mm)	k (mm)	d <sub>5</sub> (flange) (mm)	d <sub>2</sub> (mm)	t (mm)	f <sub>min</sub> (mm)	d <sub>4</sub> (mm)	d <sub>6</sub> (mm)	Weight (kg)	Remarks
200	340	295	221.5	8 x 22	20	3	268	213.0	8.1	
250	395	350	276.5	12 x 22	25	3	320	267.0	11.9	
300	445	400	327.0	12 x 22	25	4	370	318.0	13.8	
350	505	460	359.5	16 x 22	25	4	430	349.5	19.4	
400	565	515	411	16 x 26	25	4	482	400.5	22.9	
500	670	620	513.5	20 x 26	25	4	585	502.0	28.2	
600	780	725	615.0	20 x 30	30	5	685	603.5	40.6	

f - Made from plate 6 mm