

Title: **PIPING CLASS EDMESTON SX**

Approved by:

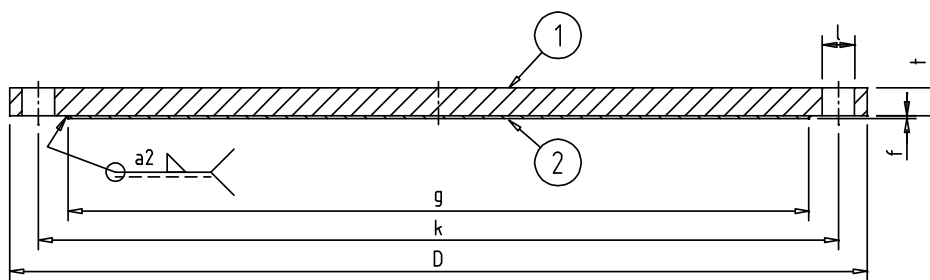
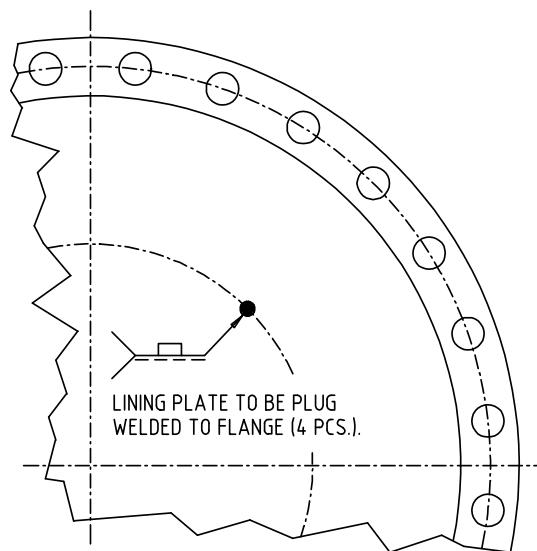
Subject: **LINED BLIND FLANGES, RF, ANSI**

AHD

Material: ASTM A-240 TP 316L/ TP 316 Ti.

Lining Material: Edmeston SX Alloy. Approvals according to TÜV Einzelgutachten (latest edition) and UNS S32615.

Standard Specifications: According to MSS SP 44 class 150[#]. Note that Edmeston standard 30I-144 is not pressure rated



2		PLATE LINING		SANDVIK SX	6mm
1		FLANGE		SA 240 TP 316L/ TP 316Ti	
Del nr. Item no	Antal Qty	Benämning Description	Referens Reference	Material Material	Amnesdim Blank size

DN	D (mm)	k (mm)	g (mm)	t (mm)	f _{min} (mm)	l (mm)	Weight (kg)	Stock material	Remarks
700	927	863	800	30	3	28 x 35	165	N	
800	1060	978	914	35	3	28 x 41	252	N	
900	1170	1086	1022	35	3	32 x 41	307	N	

f -Made from plate 6 mm