

Title: **PIPING CLASS EDMESTON SX**
 Subject: **LINED BLIND FLANGES, RF, ISO**

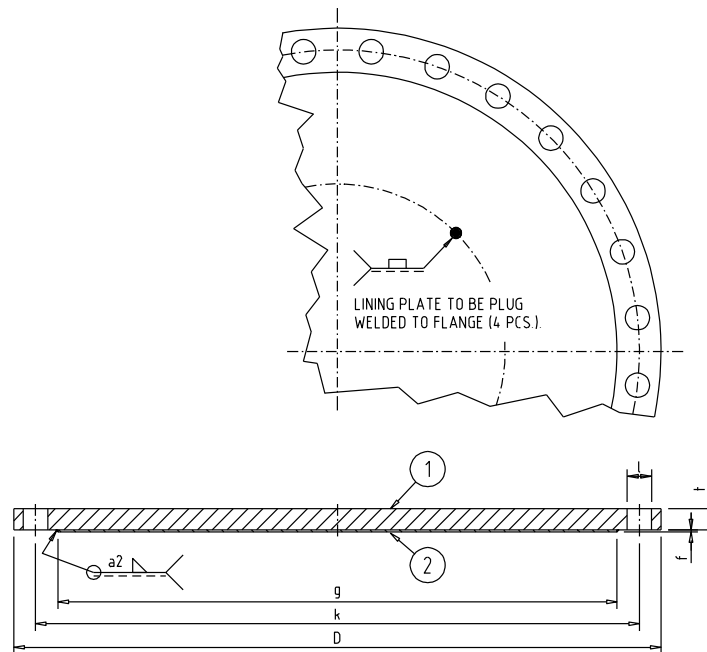
Approved by:
 TFN

Material: ASTM A-240 TP 316L / TP 316 Ti

Lining Material: Edmeston SX Alloy. Approvals according to TÜV Einzelgutachten (latest edition) and UNS S32615

Standard: According to EN 1092-1 PN 10 Blind Flange Raised Face Type 05, Face Type B1

Certificates: According to EN 10204-3.1 (raw material) and NDT-reports.



2		PLATE LINING		SANDVIK SX	6mm
1		FLANGE		SA 240 TP 316L/ TP 316Ti	
Det nr. Item no	Anfal Qty	Benämning Description	Referens Reference	Material Material	Ämnesdim Blank size

DN	D (mm)	k (mm)	g (mm)	t (mm)	f _{min} (mm)	l (mm)	Weight (kg)
700	895	840	800	35	5	24 x 30	156
800	1015	950	905	38	5	24 x 33	235
900	1115	1050	1005	38	5	28 x 33	282

f - Made from plate 6 mm