

Title: **PIPING CLASS EDMESTON SX**

Approved by:

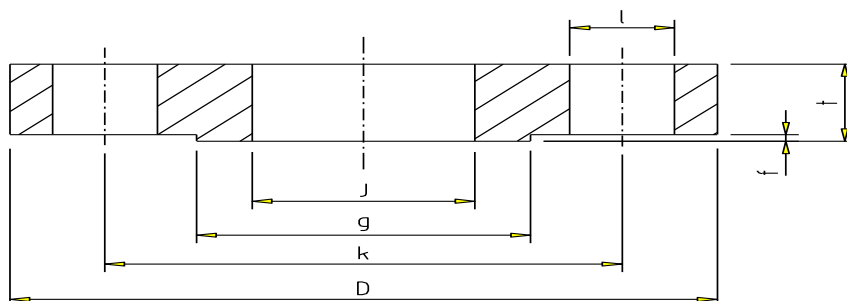
Subject: **ODD SIZES; PLANE WELDING FLANGES, RF, ANSI**

AHD

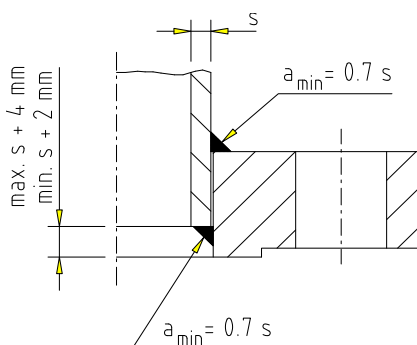
Material: Edmeston SX Alloy. Approvals according to TÜV Einzelgutachten (latest edition) and UNS S32615.

Standard specifications: ANSI B16.5 class 150[#]

Certificates: According to EN 10204-3.1 (raw material).



DN	D (mm)	k (mm)	g (mm)	J (mm)	t (mm)	f (mm)	l (mm)	Weight (kg)
32	117	89	63.5	43.5	19	1.6	4 x 16	1.3
40	127	98.5	73.0	49.5	19	1.6	4 x 16	1.4



TYPICAL PIPE TO FLANGE WELDING.