

Title: **PIPING CLASS EDMESTON SX**

Approved by:

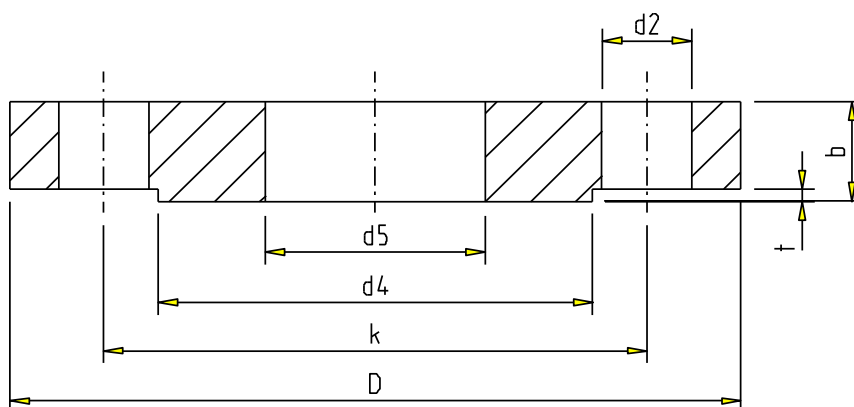
Subject: **ODD SIZES; PLANE WELDING FLANGES, RF, ISO**

AHD

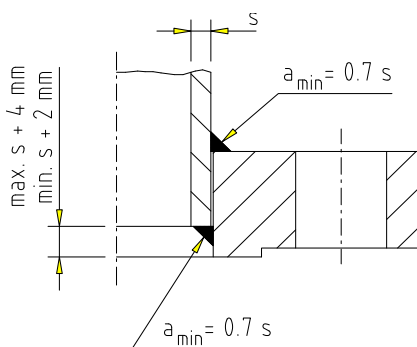
**Material:** Edmeston SX Alloy. Approvals according to TÜV Einzelgutachten (latest edition) and UNS S32615.

**Standard specifications:** According to EN 1092-1 PN 10 Raised Face, Type 01, Face Type B1

**Certificates:** According to EN 10204-3.1 (raw material).



DN	D (mm)	k (mm)	g (mm)	J (mm)	t (mm)	f (mm)	l (mm)	Weight (kg)
32	140	100	43,5	78	18	2	4 x 18	1.8
65	185	145	77.0	122	26	3	4 x 18	4.0



TYPICAL PIPE TO FLANGE WELDING.