



OUTOTEC TRUNNION LINER UPGRADE

Outotec values continuous improvement and strives to redefine the industry standard in mineral processing technologies. The Outotec trunnion liner upgrade originated through this process, offering an old for new replacement of existing one piece trunnion liners for a new and improved multi piece trunnion liner configuration.

BENEFITS

- Extended equipment lifetime
- Optimized load conditions on liner fasteners
- Reduced operations and maintenance costs
- Improves maintainability of trunnion and bearings

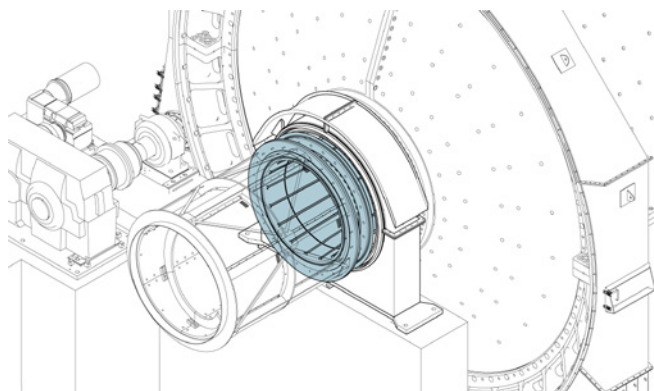
The effectiveness of this design has been tried, tested and proven to improve durability and serviceability of the mill feed and discharge ends; consequently making it the current standard design for all new Outotec mills.

Modernization Solutions are one of many key services offered by Outotec to ensure that our customers maintain optimal performance of their equipment. The Trunnion Liner Upgrade belongs to this product portfolio, providing proven benefits to applicable Outotec grinding mills.

Reduced operations and maintenance costs

Are you changing trunnion liner fasteners due to damage? Or, having to replace the entire trunnion liner due to localized wear of the lining?

Decrease operating costs through optimized wear components associated with the Trunnion Liner Upgrade. The Trunnion Liner Upgrade has been developed primarily to reduce maintenance costs through its multi component configuration. The multi piece design optimizes load conditions through the trunnion liner; therefore, improving fastener durability. Dividing the trunnion liner into multiple pieces enables replacement of the consumable component only; consequently, a reduction in ongoing consumable costs may be achieved.



Improved process availability

Have you had mill downtime due to lengthy trunnion liner replacement or removal of trunnion liner for trunnion bearing replacement?

Reduce lost production time with the implementation of the Trunnion Liner Upgrade. The multi component liner design enables quick removal of the trunnion liner retaining ring, allowing unrestricted access to the bearing without the need for removing the entire lining.

Service description

Outotec Trunnion Liner Upgrade is an old for new replacement component and can readily be supplied to site; however, as with all retrofit devices we recommend a site inspection to confirm that the trunnion is still in as-designed condition. This will ensure validity of the product design for your site to reduce the risk of unforeseen issues during installation and plant down time. All site visits will be scheduled to the mutual convenience of your plant's designated contact person and an Outotec representative. Outotec shall remain reliant on the customer to ensure that the plant is available for the inspection visit at the scheduled time.

Outputs and resulting actions

Outotec's team of qualified technicians and engineers shall work together to develop the best solution that serves our customer's needs in the best possible way.

The customer shall receive:

- Feedback about any potential issues identified during the pre-design mill inspection
- Trunnion liner assembly designed specifically for the application

Additional Outotec service offerings that compliment the Trunnion Liner Upgrade include:

- Installation
- Commissioning

For more information about Modernization Solutions for minerals processing equipment contact your local service centre or visit our website.